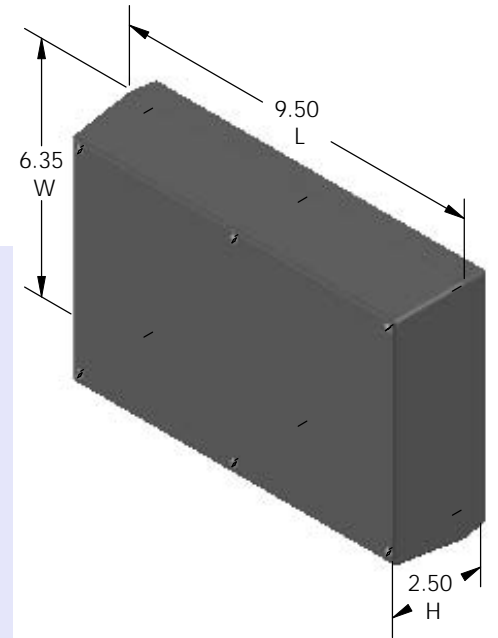
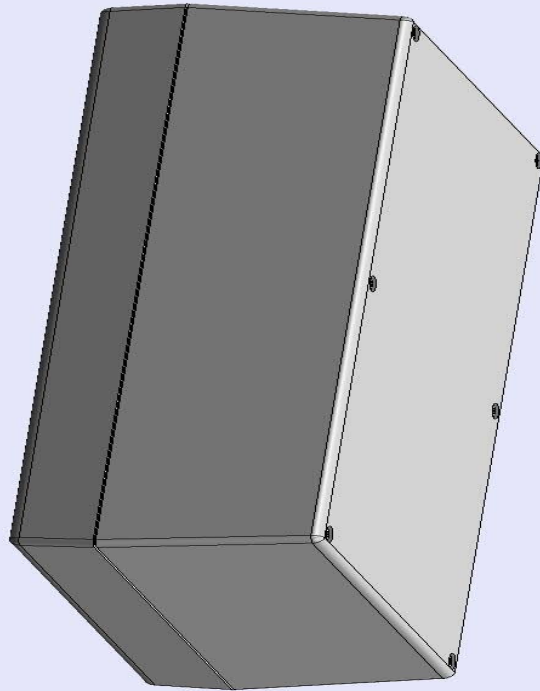


# SERPAC 193R (3D exploded)

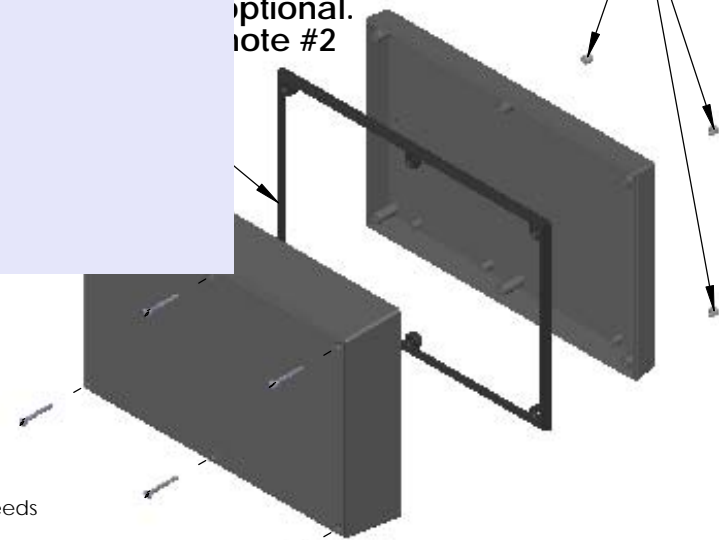
Electronic Enclosures

- Click on image to show toolbar. Use ▶|| to Play/Pause Animation.
- Left click and drag on image to move 3D model.



Threaded inserts only have to be assembled the first time.

Sealing gasket optional. Note #2



- a) Zoom in & out with center wheel.
- b) Pause at any moment to view and or print views.
- c) Change the views to ortho and section views if needed from the Views pull down menu.
- d) Explore options included in the tool bar like: Views, Transparency of model, Lighting type, etc.

PART NO.	DESCRIPTION (Included)	ACCESSORIES (Optional)	
		PART NO.	DESCRIPTION
9-3R	TOP	PS19	Perimeter Seal
19	BOTTOM		
6019	4-40 SCREW (6)		
6102	THREADED INSERTS (6)		

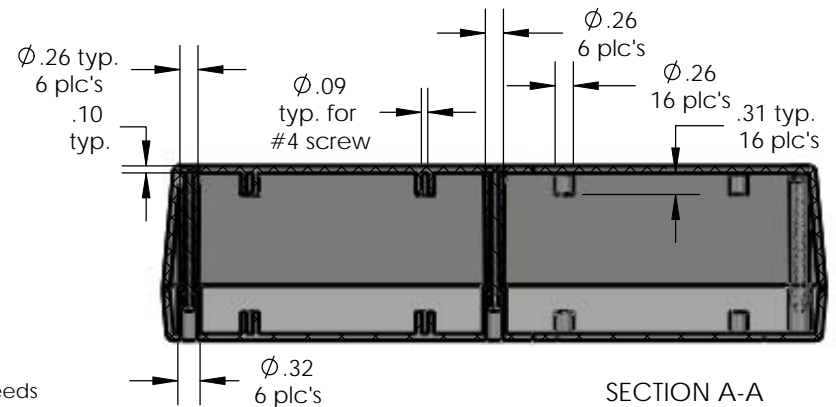
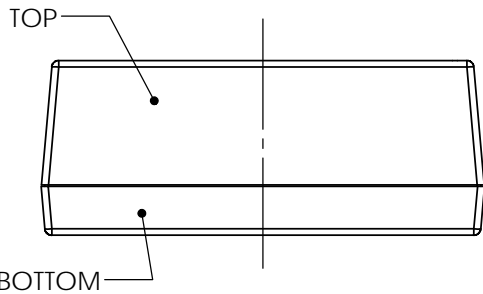
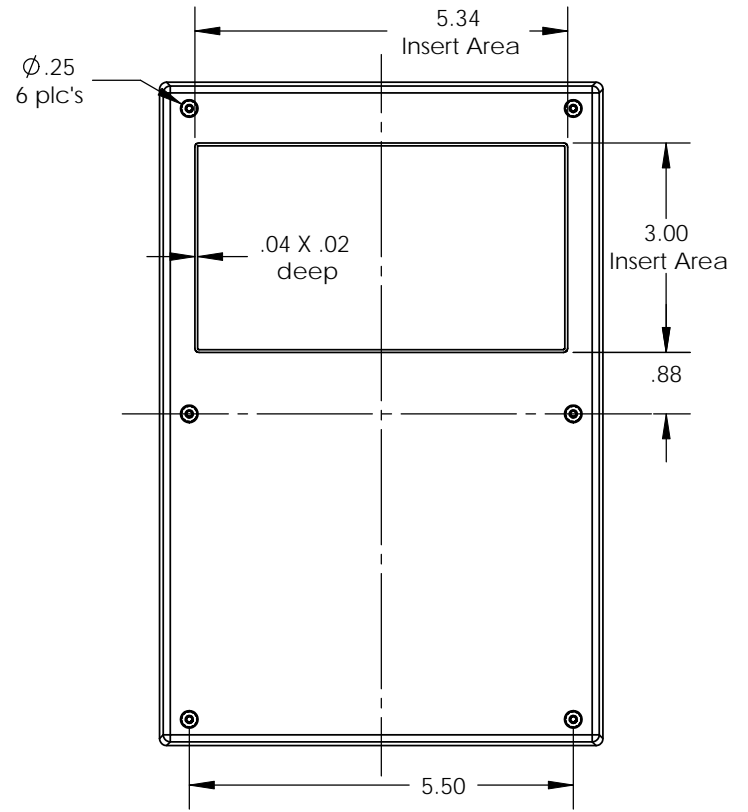
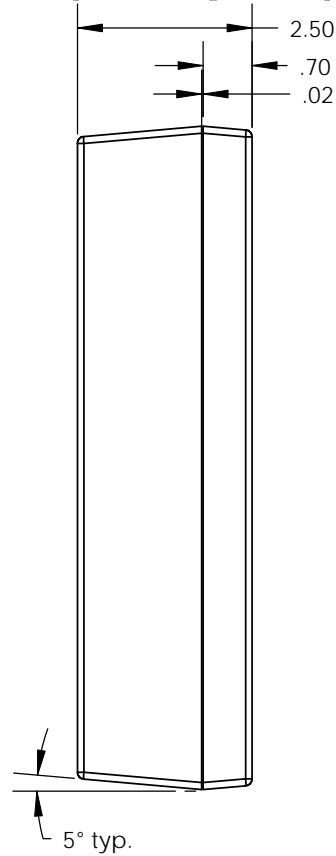
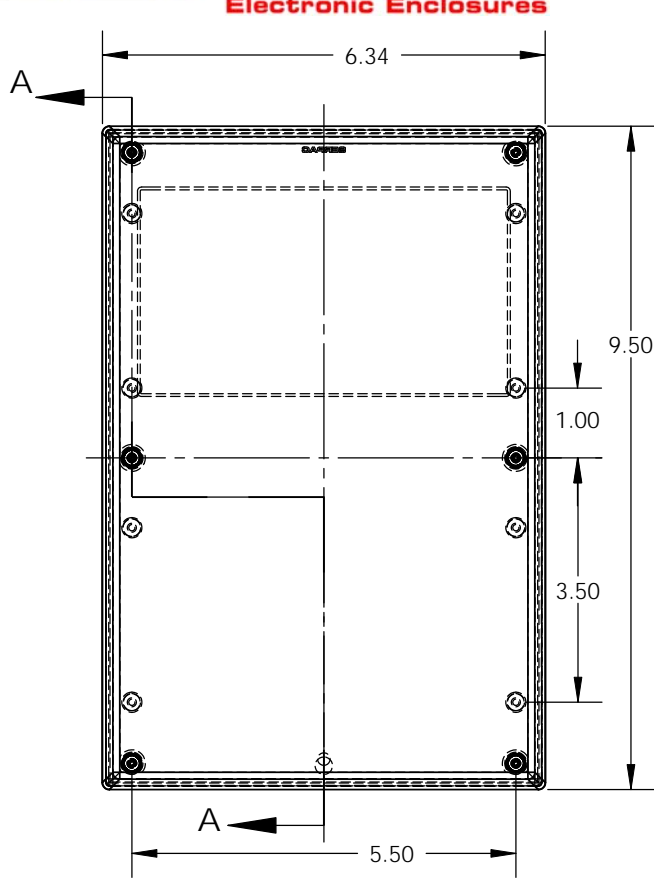
Notes: Enclosure weight .75 lbs / 339 gm

- 1) Enclosure meets or exceeds IP40 and NEMA 1
- 2) When used with PS19 the enclosure meets or exceeds IP 66 and NEMA 4X, 12 and 13 MIL-STD-810G 506.5
- 3) Circuit Board drawings can be download at: <http://www.serpac.com/Accessories/CircuitBoard/drawings/19X-CB.pdf>
- 4) All components are RoHS Compliant.

ALL DIMENSIONS ARE ±.010" 7/29/10 (1 of 2)  
 2009 Wright Ave. La Verne, CA 91750  
 Ph. (626) 331-0517 Fx. (626) 331-8584 serpac.com

# SERPAC 193R (user print)

Electronic Enclosures



PART NO.	DESCRIPTION (Included)	ACCESSORIES (Optional)	
9-3R	TOP	PART NO.	DESCRIPTION
19	BOTTOM	PS19	Perimeter Seal
6019	4-40 SCREW (6)		
6102	THREADED INSERTS (6)		

- Notes: Enclosure weight .75 lbs / 339 gm
- 1) Enclosure meets or exceeds IP40 and NEMA 1
  - 2) When used with PS19 the enclosure meets or exceeds IP 67 and NEMA 4X, 12 and 13 MIL-STD-810G 506.5
  - 3) Circuit Board drawings can be download at: [http://www.serpac.com/Accessories/CircuitBoard/drawings/19X\\_CB.pdf](http://www.serpac.com/Accessories/CircuitBoard/drawings/19X_CB.pdf)
  - 4) All components are RoHS Compliant.

SECTION A-A  
SCALE 1 : 2.75

ALL DIMENSIONS ARE ± .010" 7/29/10 (2 of 2)  
2009 Wright Ave. La Verne, CA 91750  
Ph. (626) 331-0517 Fx. (626) 331-8584 www.serpac.com