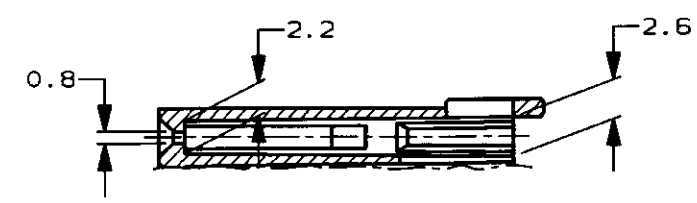
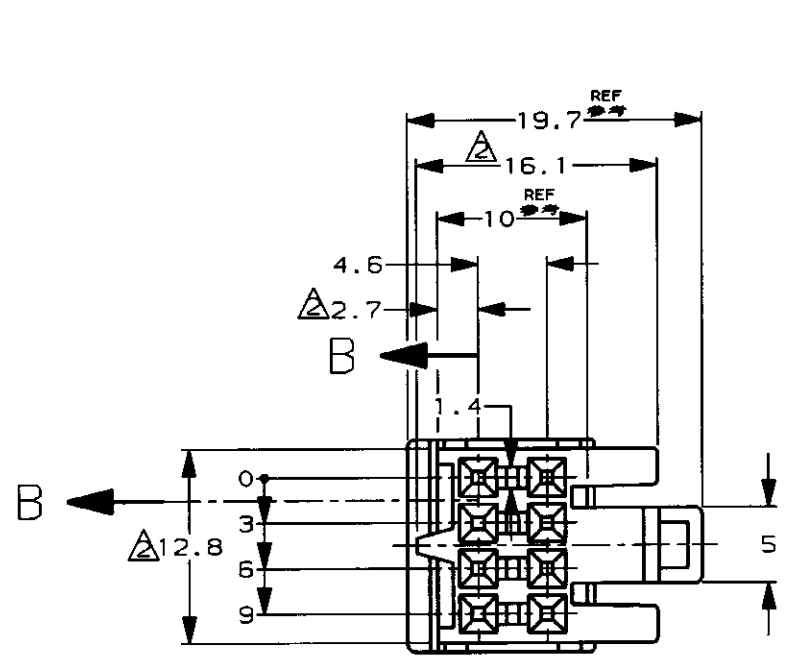
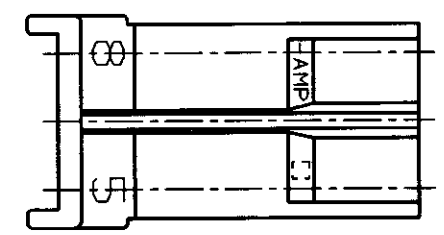
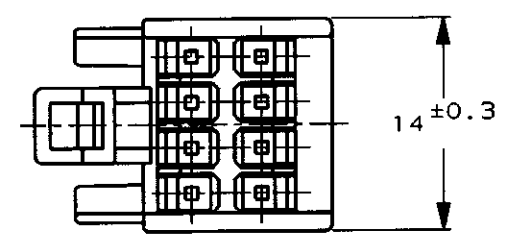
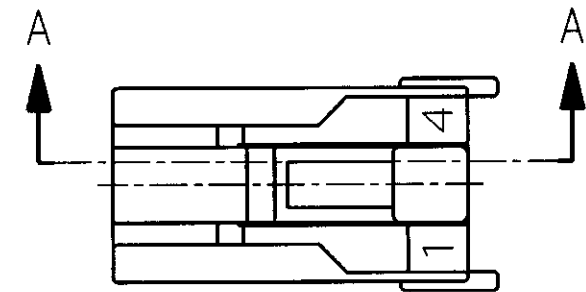


THIS DRAWING IS UNPUBLISHED. RELEASED FOR PUBLICATION .19  
 (C) COPYRIGHT 19 BY AMP INCORPORATED. ALL RIGHTS RESERVED.

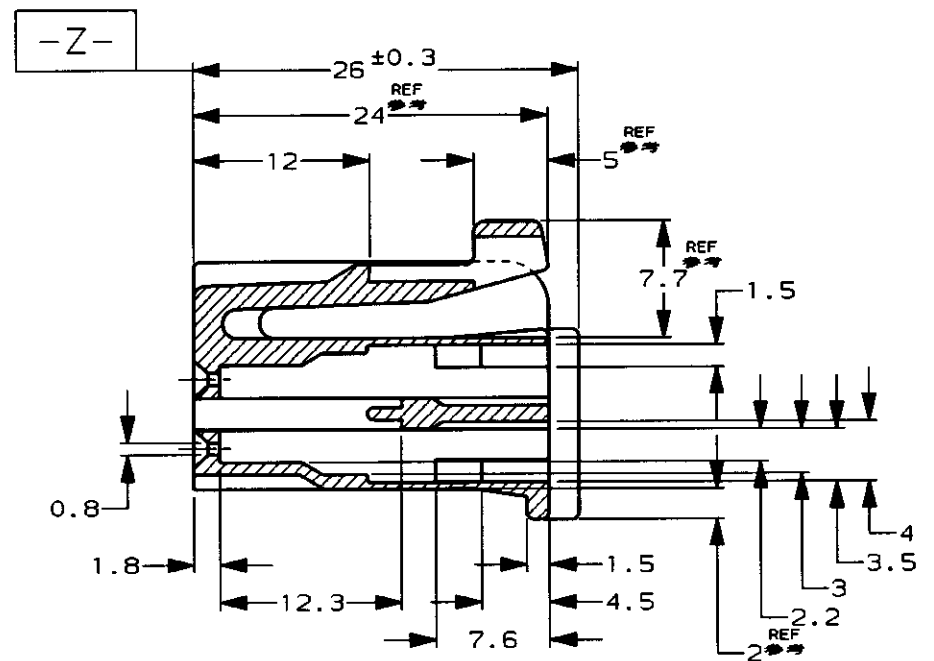
LOC		DIST		REVISIONS				
P	LTR	DESCRIPTION		ECN	DATE	DWN	APVD	
	A	再作成 REDRAWN W/O CHANGE		FJ00-0009-97	25 Dec. 96	TS	AT	



断面 B-B  
SECT.



-2 ; 本 ☒  
 -2 ; AS SHOWN



断面 A-A  
SECT.

注 :  
 1 適合ロックングプレート型番 172857 (2ヶ)  
 △ -Z- 面より2mmの範囲で測定

NOTES :  
 1 PART NUMBER OF SECONDARY LOCKING PLATE 172857 (2 REQUIRED)  
 △ THESE DIMENSIONS TO BE MEASURED BETWEEN -Z- AND 2

THIS DRAWING IS A CONTROLLED DOCUMENT FOR AMP INCORPORATED. IT IS SUBJECT TO CHANGE AND THE CONTROLLING ENGINEERING ORGANIZATION SHOULD BE CONTACTED FOR THE LATEST REVISION.		OWN T. Shinohara 25 DEC 96	WIRE RANGE 包含電線断面積 —	INSULATION DIA 被覆外径 —
DIMENSIONS 単位・寸 mm		CHK T. Tomita 25 DEC 96	<b>AMP</b> 日本エー・エム・シー株式会社 Kawasaki, Japan	
TOLERANCES UNLESS OTHERWISE SPECIFIED 一般公差 10mm ±0.2 30mm ±0.25 100mm ±0.3 ANGLE ±3°		APVD T. Tomita 25 DEC 96	NAME 名称 8極 プラグハウジング 二重ロック型 デュアルラインインターロック コネクタ PLUG HOUSING 8Pos. DLI CONNECTOR SECONDARY LOCK TYPE	
MATERIAL 材料 66 NYLON 66 ナイロン		PRODUCT SPEC 108-5124	SIZE A3	DRAWING NO 番号 C-172856
COLOR 色 BLACK 黒		APPLICATION SPEC 取付適用規格	CAGE CODE	SCALE 尺度 2-1
CUSTOMER DRAWING		WEIGHT	SHEET 1 OF 1	REV A