

10 9 8 7 6 5 4 3 2 1

F

F

E

E

D

D

C

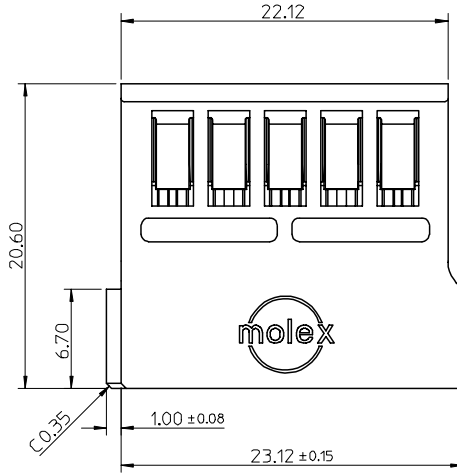
C

B

B

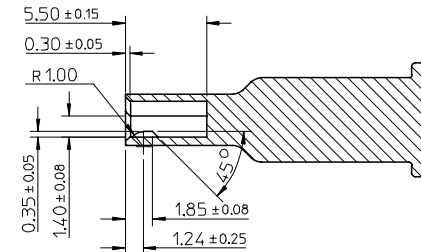
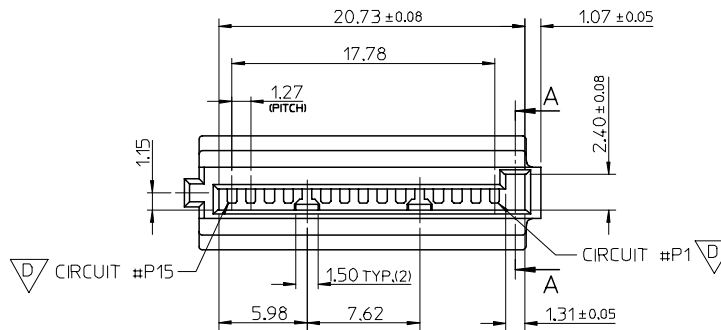
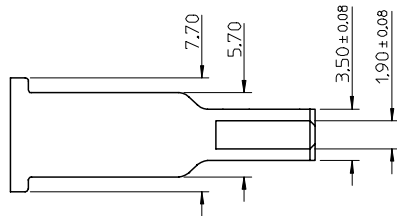
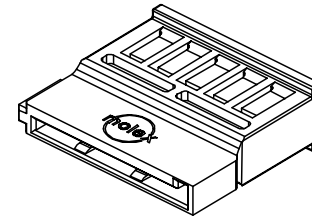
A

A



NOTES:

1. MATERIAL: THERMALPLASTIC, UL94V-0, COLOR: BLACK
2. TO BE USED WITH 67581, 5 SETS TERMINAL PER HOUSING
3. PRODUCT SPECIFICATION REFER TO PS-67490-002
4. PACKAGE SPECIFICATION REFER TO PK-67582-001



Section A-A

<p>NEW RELEASE</p> <p>EC NO: SH2006-0233</p> <p>DRWN: BCHENZ6</p> <p>CHKD: 2005/11/21</p> <p>APPR: GCHEN</p> <p>2005/11/14</p> <p>2005/11/23</p>	<p>QUALITY SYMBOLS</p> <p>▽=0</p> <p>◻=0</p>	<p>GENERAL TOLERANCES (UNLESS SPECIFIED)</p> <table border="1"> <thead> <tr> <th></th> <th>mm</th> <th>INCH</th> </tr> </thead> <tbody> <tr> <td>4 PLACES</td> <td>± ---</td> <td>± ---</td> </tr> <tr> <td>3 PLACES</td> <td>± ---</td> <td>± ---</td> </tr> <tr> <td>2 PLACES</td> <td>± 0.25</td> <td>± ---</td> </tr> <tr> <td>1 PLACE</td> <td>± 0.25</td> <td>± ---</td> </tr> </tbody> </table> <p>ANGULAR ± 3 °</p>		mm	INCH	4 PLACES	± ---	± ---	3 PLACES	± ---	± ---	2 PLACES	± 0.25	± ---	1 PLACE	± 0.25	± ---	<p>DIMENSION STYLE</p> <p>MM ONLY</p>	<p>SCALE</p> <p>3:1</p>	<p>DESIGN UNITS</p> <p>METRIC</p>	<p>THIRD ANGLE PROJECTION</p>
		mm	INCH																		
	4 PLACES	± ---	± ---																		
	3 PLACES	± ---	± ---																		
2 PLACES	± 0.25	± ---																			
1 PLACE	± 0.25	± ---																			
<p>REV</p> <p>D</p>	<p>DESCRIPTION</p> <p>HSG FOR SATA POWER CABLE RECEPTACLE</p>	<p>DRAWN BY</p> <p>RICHARD</p>	<p>DATE</p> <p>2002/01/30</p>	<p>TITLE</p> <p>HSG FOR SATA POWER CABLE RECEPTACLE</p>	<p>MOLEX INCORPORATED</p>	<p>SHEET NO.</p> <p>1 OF 1</p>															
	<p>DRAFT WHERE APPLICABLE MUST REMAIN WITHIN DIMENSIONS</p>	<p>APPROVED BY</p> <p>ERICK</p>	<p>DATE</p> <p>2002/01/30</p>	<p>MATERIAL NO.</p> <p>67582-0000</p>	<p>DOCUMENT NO.</p> <p>SD-67582-001</p>																
		<p>SIZE</p> <p>A3</p>	<p>THIS DRAWING CONTAINS INFORMATION THAT IS PROPRIETARY TO MOLEX INCORPORATED AND SHOULD NOT BE USED WITHOUT WRITTEN PERMISSION</p>																		

9 8 7 6 5 4 3 2 1