

REVISIONS		DATE	APPROVED
1	REVISED PER ECN# T-6235	12/18	J
J	REVISE PER DCR# T-28702	2/21/2001	M.HIGGY

SOCKET CONTACT AND TOOLING INFORMATION

CONTACT TYPE	MILITARY PART NO.	WIRE STRIP LENGTH	TERMINATION TOOL
SHIELDED CONTACT FOR COAX CABLE D-602-0095 OR D-602-0107		SEE DRAWING D-602-0095 OR D-602-0107	SEE DRAWING D-602-0095 OR D-602-0107
CONTACT FOR TWISTED PAIR D-602-0105		SEE DRAWING D-602-0105	SEE DRAWING D-602-0105
POWER CONTACT SIZE 12	M39029/5-12-12	1/4" TO 5/16"	M22520/1-01 POSITIONER M22520/1-02

TABLE II KEYING CODE CHART

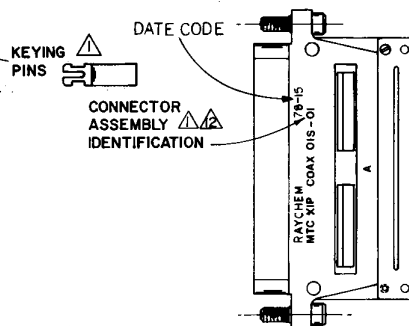
PART NUMBER	XX	POSITION OF KEYS
MTC XIP-COAX OIS-01	AA	<input type="checkbox"/>
	AB	<input type="checkbox"/>
	AC	<input type="checkbox"/>
	AD	<input type="checkbox"/>
	BA	<input type="checkbox"/>
	BB	<input type="checkbox"/>
	BC	<input type="checkbox"/>
	BD	<input type="checkbox"/>
	CA	<input type="checkbox"/>
	CB	<input type="checkbox"/>
	CC	<input type="checkbox"/>
	CD	<input type="checkbox"/>
	DA	<input type="checkbox"/>
	DB	<input type="checkbox"/>
	DC	<input type="checkbox"/>
	DD	<input type="checkbox"/>

- NOTES:**
- KEYING CODE DOES NOT FORM A PART OF RAYCHEM PART NUMBER SYSTEM AND SHOULD BE OMITTED WHEN ORDERING. KEYING PINS SUPPLIED UN-INSTALLED. SEE TABLE II FOR KEYING POSITIONS
 - COMPLETE CONNECTORS AND ACCESSORIES ARE INDIVIDUALLY BAGGED AND LABELED.
 - REAR GROMMET INSERT WILL SEAL ON SMOOTH INSULATION FROM .097" TO .158" O.D.
 - CONNECTOR DESIGNED FOR USE WITH POWER AND SHIELDED CONTACTS PER TABLE I.
 - INSERTS ARE PERMANENTLY INSTALLED, CONTACTS MAY BE INSERTED AND REMOVED USING TOOL PER NOTE 8.
 - ALL UNUSED CAVITIES TO BE SEALED USING SEALING PLUG NUMBER M83723-28-12.
 - ALL CONTACTS SIZE 12 ARE INSERTED AND REMOVED USING TOOL NUMBER M83723-31-12.

- CONNECTOR SUPPLIED WITH A SHIPPING DUST CAP OVER ENGAGING END.
- CONNECTOR PLUG PART NO. MTCXIP-COAX OIS-01- AA . AA = KEYING CODE
- MATES WITH RECEPTACLE CONNECTOR NO. MTCXIR-COAX OIP-01.
- CONNECTOR MATING REQUIREMENTS: 9 in. lbs. TORQUE FOR CAPTIVE LOCKING SCREWS.
- PART NUMBER VARIABLE:

MTC XIP-COAX OIS-01
 B=NICKEL PLATE PER MIL-C-26074
 C=CADMIUM PLATE PER QQ-P-416 OVER NICKEL UNDERPLATE

13. DIMENSIONS WITHOUT TOLERANCES ARE TO BE CONSIDERED FOR REFERENCE ONLY.



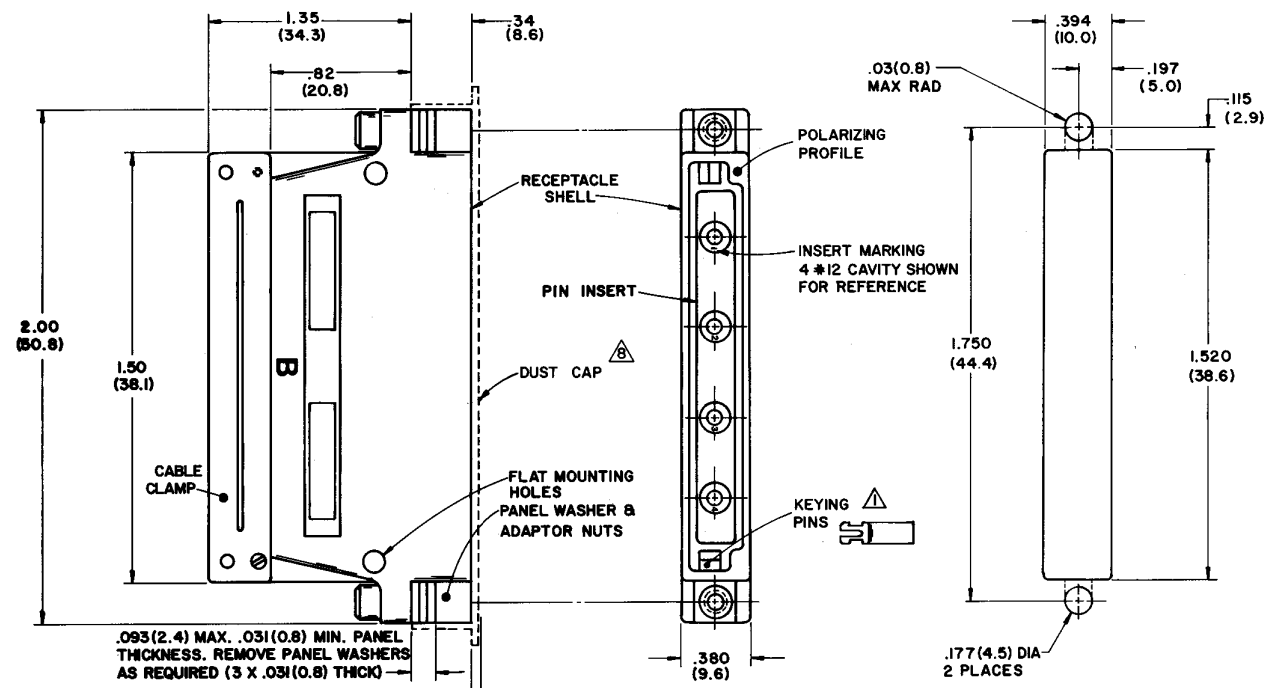
VIEW SHOWING IDENTIFICATION

If this document is printed it becomes uncontrolled.
 Check with the web for latest revision.

SPECIFICATION CONTROL DRAWING

ITEM	QTY	PART NUMBER	DWG. OR SPEC.	DESCRIPTION
		UNLESS OTHERWISE SPECIFIED DIMENSIONS ARE IN INCHES AND TOLERANCES ARE	DRAWN	CRN 7-27-77
		XXX .XX	CHECKED	WIRE AND HARNESSING PRODUCTS
		XX .X	APPROVED	TYCOELECTRONICS-RAYCHEM 307 CONSTITUTION DRIVE
		X .	APPROVED	MENLO PARK, CALIFORNIA 94025
			APPROVED	TITLE
			APPROVED	CONNECTOR, PLUG, RECTANGULAR ENVIRONMENTAL, FIXED SOCKET INSERT - ONE INCH MTC SERIES
			CADFILE:	SIZE
			T28702.B.C.TIF	CODE IDENT
				DWG NO
				D-652-0004
				SCALE
				WEIGHT
				SHEET
				OF 4

REVISIONS				
ZONE	LTR	DESCRIPTION	DATE	APPROVED
		SEE SHEET 1		



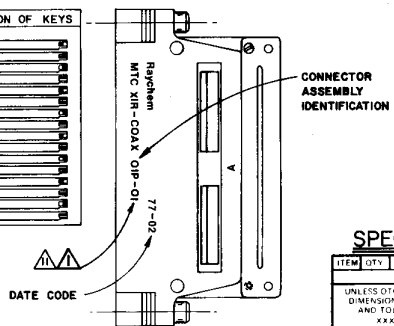
PIN CONTACT AND TOOLING INFORMATION

TABLE I

CONTACT TYPE	MILITARY PART NO.	WIRE STRIP LENGTH	TERMINATION TOOL
SHIELDED CONTACT FOR COAX CABLE D-602-0106 OR D-602-0094		SEE DRAWING D-602-0106 OR D-602-0094	SEE DRAWING D-602-0106 OR D-602-0094
CONTACT FOR TWISTED PAIR D-602-0104		SEE DRAWING D-602-0104	SEE DRAWING D-602-0104
POWER CONTACT SIZE 12	M39029/4-12-12	1/4" TO 5/16"	M22520/1-01 POSITIONER M22520/1-02

TABLE II
KEYING CODE CHART

PART NUMBER	X X	POSITION OF KEYS
MTC XIR-COAX OIP-01	AA	10
	AB	11
	AC	12
	AD	13
	BA	14
	BB	15
	BC	16
	BD	17
	CA	18
	CB	19
	CC	20
	CD	21
	DC	22
	DD	23
MTC XIR-COAX OIP-01	DD	24



VIEW SHOWING IDENTIFICATION

ADAPTOR NUTS TO BE FLUSH WITH RECEPTACLE WITHIN .020(0.5)

NOTES:

- KEYING CODE DOES NOT FORM A PART OF RAYCHEM PART NUMBER SYSTEM AND BE OMITTED WHEN ORDERING. KEYING PINS SUPPLIED UN-INSTALLED. SEE TABLE II FOR KEYING POSITIONS.
- COMPLETE CONNECTORS AND ACCESSORIES ARE INDIVIDUALLY BAGGED AND LABELED.
- NEAR GROMMET INSERT WILL SEAL ON SMOOTH INSULATION FROM .097" TO .156" O.D.
- CONNECTOR DESIGNED FOR USE WITH POWER AND SHIELDED CONTACTS PER TABLE I.
- INSERTS ARE PERMANENTLY INSTALLED, CONTACTS MAY BE INSERTED & REMOVED USING TOOL PER NOTE 8.
- ALL UNUSED CAVITIES TO BE SEALED USING SEALING PLUG NUMBER M83723-28-12.
- ALL CONTACTS SIZE 12 ARE INSERTED AND REMOVED USING TOOL NUMBER M83723-31-12.
- CONNECTOR SUPPLIED WITH A SHIPPING DUST CAP OVER ENGAGING END.
- CONNECTOR RECEPTACLE PART NO. MTCXIR-COAX OIP-01-AA, AA = KEYING CODE
- MATES WITH PLUG CONNECTOR NO. MTCXIP-COAX OIS-01, PART NUMBER VARIABLE:
 - MTC XIR-COAX OIP-01
 - B-NICKEL PLATE PER MIL-C-26074
 - C-CADMIUM PLATE PER QQ-P-416 OVER NICKEL UNDERPLATE
- DIMENSIONS WITHOUT TOLERANCES ARE TO BE CONSIDERED FOR REFERENCE ONLY.

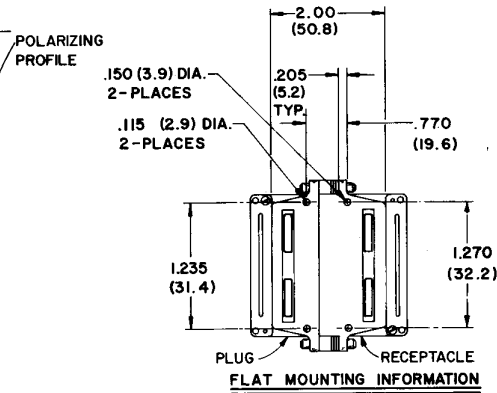
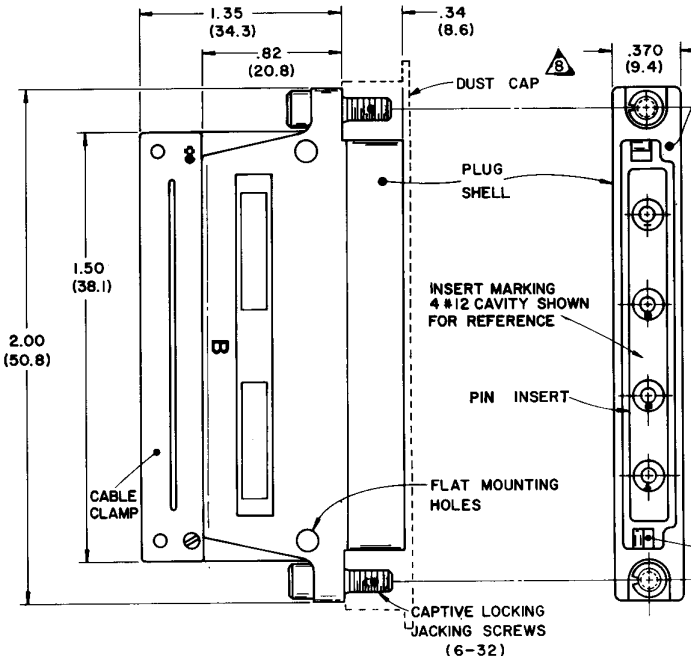
If this document is printed it becomes uncontrolled.
Check with the web for latest revision.

SPECIFICATION CONTROL DRAWING

ITEM	QTY	PART NUMBER	DWG OR SPEC	DESCRIPTION
UNLESS OTHERWISE SPECIFIED DIMENSIONS ARE IN INCHES AND TOLERANCES ARE: .XX, .XX, .XX				
DRAWING		CRN	7-20-77	TITLE
CHECKED				TYCOELECTRONICS, RAYCHEM 397 CONSTITUTION DRIVE MENO PARK, CALIFORNIA 94025
APPROVED			2-7-76	CONNECTOR, RCPT, RECTANGULAR, ENVIRONMENTAL, FIXED PIN INSERT ONE INCH MTC SERIES
MATERIAL			6-3-76	
APPROVED			5-5-77	
FINISH		CADFILE:	T38702b.TIF	SIZE
PROJECT			64-41-6037	CODE IDENT
				DWG NO
				D NO 00000
				D-652-0004
				J
				SCALE
				WEIGHT
				SHEET 2 OF 4

DO NOT SCALE THIS DRAWING	NEXT ASSY	USED ON
	APPLICATION	

ZONE/LTR		REVISIONS		DATE	APPROVED
-		SEE SHEET 1			



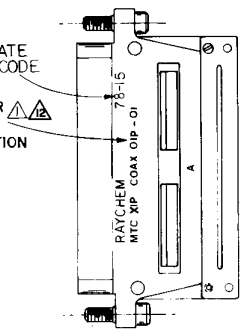
SOCKET CONTACT AND TOOLING INFORMATION

TABLE I			
CONTACT TYPE	MILITARY PART NO.	WIRE STRIP LENGTH	TERMINATION TOOL
SHIELDED CONTACT FOR COAX CABLE D-602-0094 OR D-602-0106		SEE DRAWING D-602-0094 OR D-602-0106	SEE DRAWING D-602-0094 OR D-602-0106
CONTACT FOR TWISTED PAIR D-602-0104		SEE DRAWING D-602-0104	SEE DRAWING D-602-0104
POWER CONTACT SIZE 12	M39029/4-12-12	1/4" TO 5/16"	M22820/1-01 POSITIONER M22820/1-02

TABLE II KEYING CODE CHART		
PART NUMBER	X X	POSITION OF KEYS
MTC XIP-COAX OIP-01	AA	<input type="checkbox"/>
	AB	<input type="checkbox"/>
	AC	<input type="checkbox"/>
	AD	<input type="checkbox"/>
	BA	<input type="checkbox"/>
	BB	<input type="checkbox"/>
	BC	<input type="checkbox"/>
	BD	<input type="checkbox"/>
	CA	<input type="checkbox"/>
	CB	<input type="checkbox"/>
	CC	<input type="checkbox"/>
	CD	<input type="checkbox"/>
	DA	<input type="checkbox"/>
	DB	<input type="checkbox"/>
	DC	<input type="checkbox"/>
MTC XIP-COAX OIP-01	DD	<input type="checkbox"/>

- NOTES:**
- KEYING CODE DOES NOT FORM A PART OF RAYCHEM PART NUMBER SYSTEM AND SHOULD BE OMITTED WHEN ORDERING. KEYING PINS SUPPLIED UN-INSTALLED. SEE TABLE II FOR KEYING POSITIONS.
 - COMPLETE CONNECTORS AND ACCESSORIES ARE INDIVIDUALLY BAGGED AND LABELED.
 - REAR GROMMET INSERT WILL SEAL ON SMOOTH INSULATION FROM .097" TO .158" O.D.
 - CONNECTOR DESIGNED FOR USE WITH POWER AND SHIELDED CONTACTS PER TABLE I.
 - INSERTS ARE PERMANENTLY INSTALLED, CONTACTS MAY BE INSERTED AND REMOVED USING TOOL PER NOTE 8.
 - ALL UNUSED CAVITIES TO BE SEALED USING SEALING PLUG NUMBER M83723-28-12.
 - ALL CONTACTS SIZE 12 ARE INSERTED AND REMOVED USING TOOL NUMBER M83723-31-12.
 - CONNECTOR SUPPLIED WITH A SHIPPING DUST CAP OVER ENGAGING END.
 - CONNECTOR PLUG PART NO. MTCXIP-COAX OIP-01-AA. AA = KEYING CODE.
 - MATES WITH RECEPTACLE CONNECTOR NO. MTCXIR-COAX OIS-01.
 - CONNECTOR MATING REQUIREMENTS: 9 in. lbs. TORQUE FOR CAPTIVE LOCKING SCREWS. PART NUMBER VARIABLE.

MTC XIP-COAX OIP-01
 B=NICKEL PLATE PER MIL-C-26074
 C=CADMIUM PLATE PER QQ-P-416 OVER NICKEL UNDERPLATE



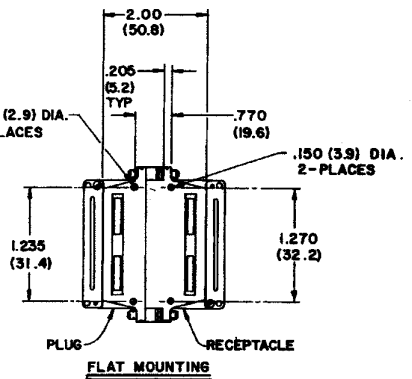
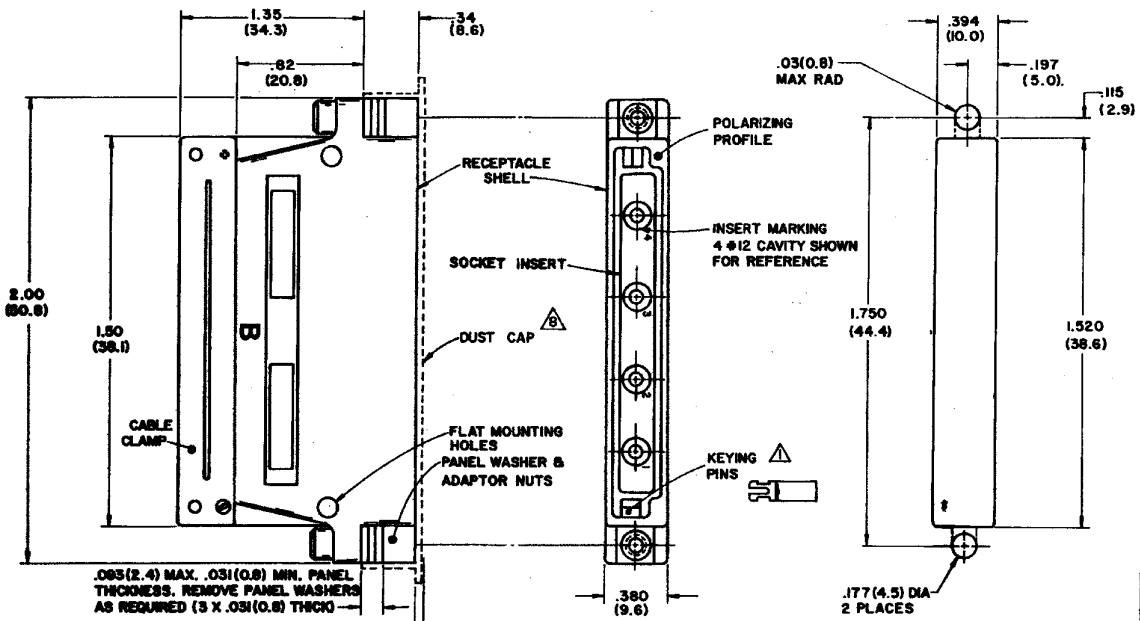
VIEW SHOWING IDENTIFICATION

If this document is printed it becomes uncontrolled.
 Check with the web for latest revision.

SPECIFICATION CONTROL DRAWING

DESCRIPTION		DATE		DRAWING NO.	
CRN	5-20-77	5-24-77	5-24-77	TYCOELECTRONICS-RAYCHEM 307 CONSTITUTION DRIVE MENLO PARK, CALIFORNIA 94025	WIRE AND HARNESSING PRODUCTS
CONNECTOR, PLUG, RECTANGULAR ENVIRONMENTAL, FIXED PIN INSERT - ONE INCH MTC SERIES				DWG. NO.	D-652-0004
CAD FILE:	T28702c.TIF	DATE	5/24/77	WEIGHT	SHEET 3 OF 4
6441-6037					

REVISIONS		DATE	APPROVED
1	SEE SHEET 1		



PIN CONTACT AND TOOLING INFORMATION

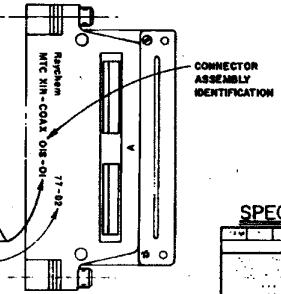
TABLE I

CONTACT TYPE	MILITARY PART NO.	WIRE STRIP LENGTH	TERMINATION TOOL
SHIELDED CONTACT FOR COAX CABLE D-602-0107 OR D-602-0095		SEE DRAWING D-602-0107 OR D-602-0095	SEE DRAWING D-602-0107 OR D-602-0095
CONTACT FOR TWISTED PAIR D-602-0105		SEE DRAWING D-602-0105	SEE DRAWING D-602-0105
POWER CONTACT SIZE 12	M39029/5-12-12	1/4" TO 5/16"	M22520/1-01 POSITIONER M22520/1-02

ADAPTOR NUTS TO BE FLUSH WITH RECEPTACLE WITHIN .020(0.5)

TABLE II
KEYING CODE CHART

PART NUMBER	X X	POSITION OF KEYS
NTC XIR-COAX 018-01	AA	[Diagram of key positions]
	AB	
	AC	
	AD	
	BA	
	BB	
	BC	
	CA	
	CB	
	CC	
	CD	
	DC	
	DD	
NTC XIR-COAX 018-01		



VIEW SHOWING IDENTIFICATION

- NOTE:**
- KEYING CODE DOES NOT FORM A PART OF RAYCHEM PART NUMBER SYSTEM AND SHOULD BE OMITTED WHEN ORDERING. KEYING PINS SUPPLIED UN-INSTALLED. SEE TABLE II FOR KEYING POSITIONS.
 - COMPLETE CONNECTORS AND ACCESSORIES ARE INDIVIDUALLY BAGGED AND LABELED.
 - REAR BROWNET INSERT WILL SEAL ON SMOOTH INSULATION FROM .097" TO .158" O.D.
 - CONNECTOR DESIGNED FOR USE WITH POWER AND SHIELDED CONTACTS PER TABLE I.
 - INSERTS ARE PERMANENTLY INSTALLED, CONTACTS MAY BE INSERTED & REMOVED USING TOOL PER NOTE 8.
 - ALL UNUSED CAVITIES TO BE SEALED USING SEALING PLUG NUMBER M83723-28-12
 - ALL CONTACTS SIZE 12 ARE INSERTED AND REMOVED USING TOOL NUMBER M83723-31-12.

- CONNECTOR SUPPLIED WITH A SHIPPING DUST CAP OVER ENGAGING END
- CONNECTOR RECEPTACLE PART NO. MTCXIR-COAX 018-01-AA. AA = KEYING CODE
- INSERTS WITH PLUG CONNECTOR NO. MTCXIP-COAX 018-01
- PART NUMBER VARIABLE:
MTC XIR-COAX 018-01
B-NICKEL PLATE PER MIL-C-28074
C-CADMIUM PLATE PER QQ-P-416 OVER NICKEL UNDERPLATE

12. DIMENSIONS WITHOUT TOLERANCES ARE TO BE CONSIDERED FOR REFERENCE ONLY.

SPECIFICATION CONTROL DRAWING

CRN 549-77	WIRE AND HARDWARE PRODUCTS
1287024.TIF	ENVIRONMENTAL, FIXED SKT INSERT ONE INCH MTC SERIES
6441-6037	D-652-0004

If this document is printed it becomes uncontrolled. Check with the web for latest revision.