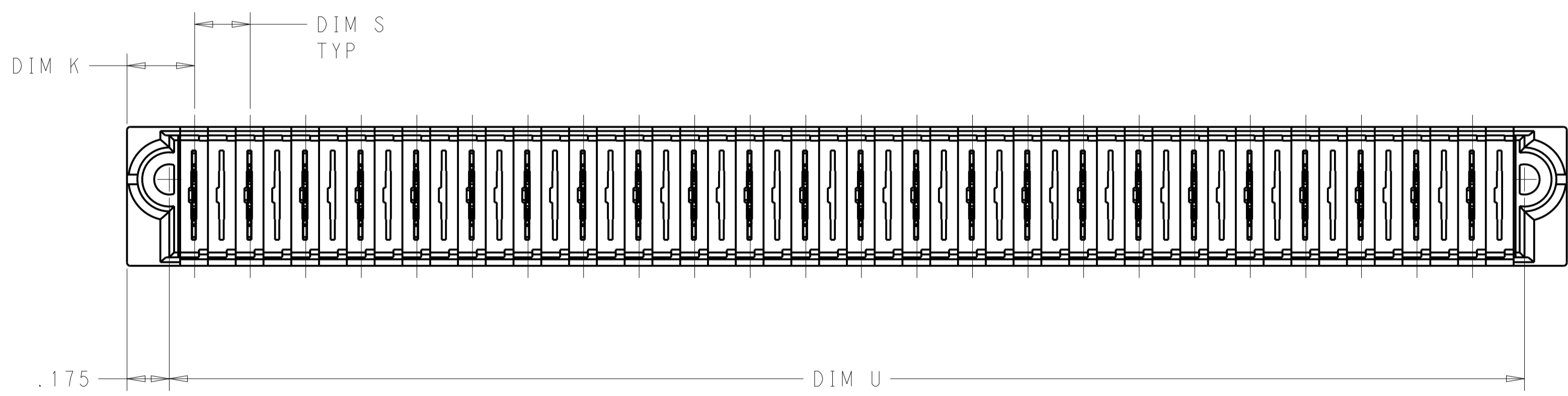
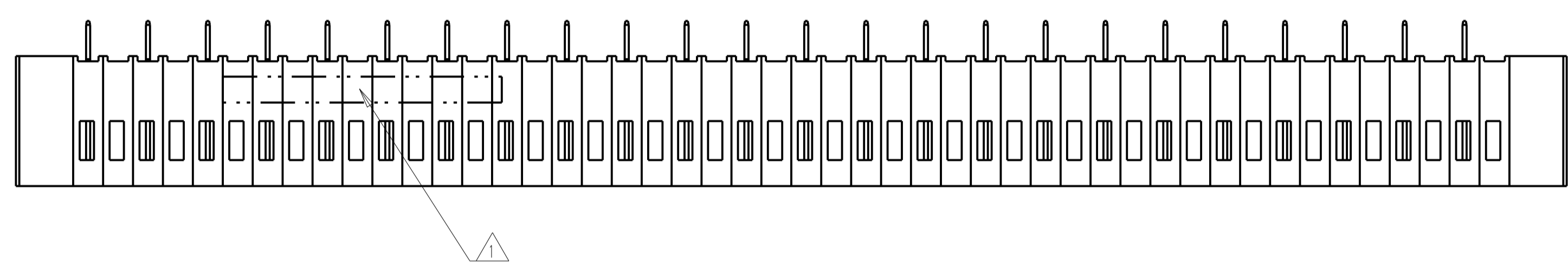
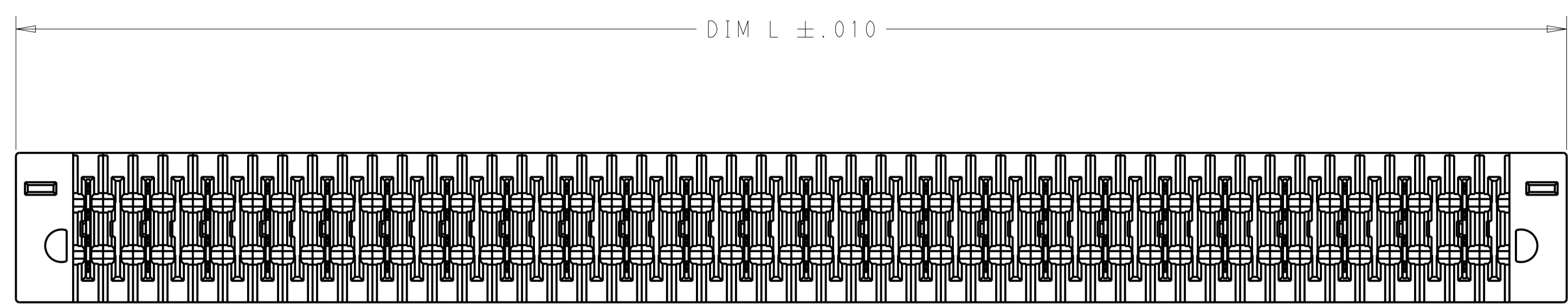
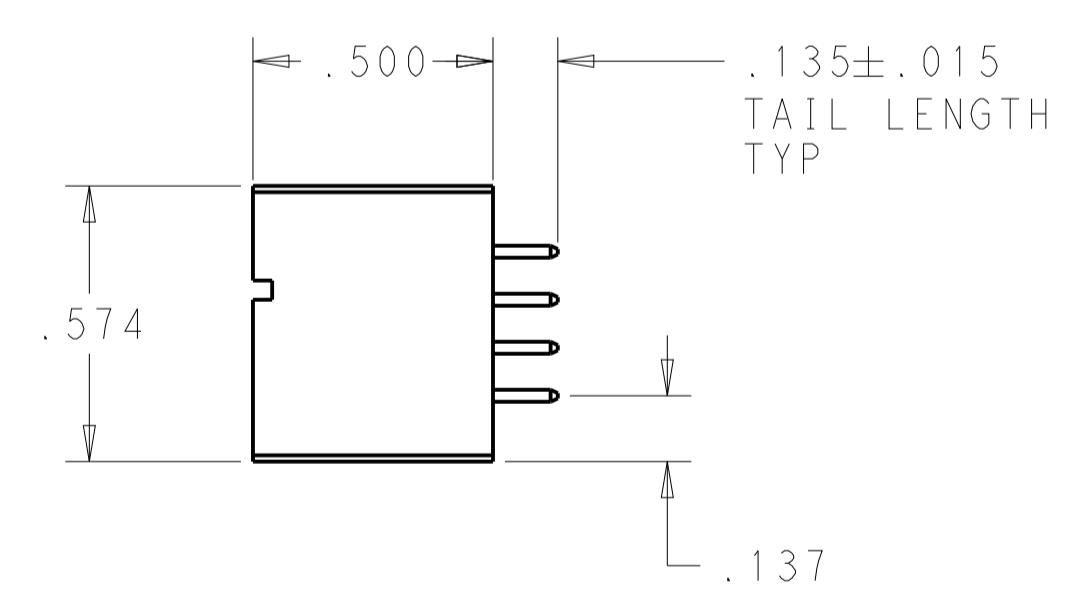


LOC	DIST	REVISIONS			
		REV	DATE	BY	CHK
ES	00	A	26AUG2011	CZ	SY
		A2	24FEB2014	OL	SZ



- ① HEADER HOUSING: THERMO PLASTIC, BLACK, UL94 V-0; CONTACTS AND RETENTION CLIPS: COPPER ALLOY.
- ② CONTACT PLATING: NOBLE METAL PLATING ON CONTACT FUNCTIONAL AREA OF POWER AND SIGNAL CONTACTS
RETENTION CLIP: .000050 MIN. NI UNDER ALL, .000030 MIN. MATTE Sn OVER ALL
- ③ PART NUMBER AND DATE CODE MARKED IN THIS AREA. PARTS UNDER 2.50 LONG MAY BE MARKED ON BOTH SIDES.
- ④ DATUM AND BASIC DIMENSIONS ESTABLISHED BY CUSTOMER.
- ⑤ PCB - ALL HOLE DIAMETERS ARE FINISHED HOLE SIZES.
- ⑥ MECHANICAL CONNECTOR KEEP OUT ZONE.
- ⑦ VARIABLE DIMENSION PLEASE SEE PART VIEW .



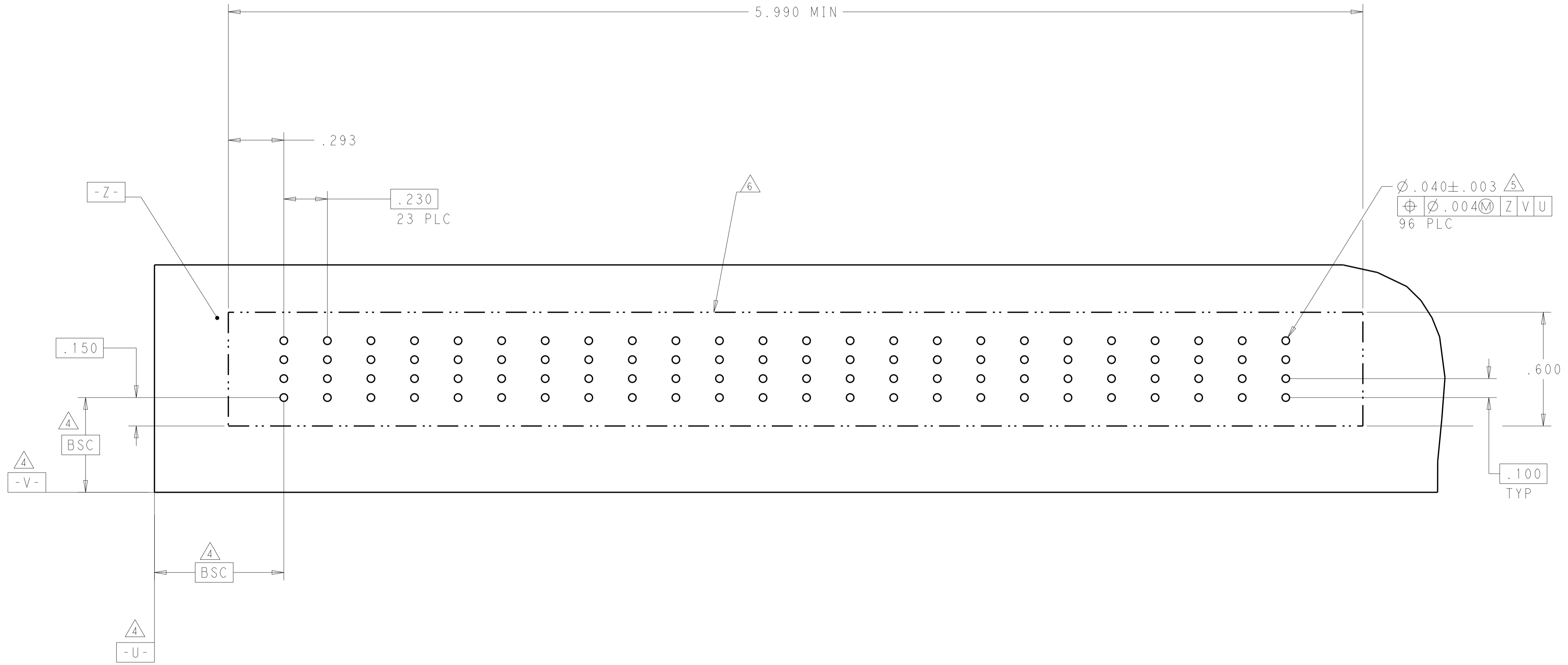
DIM U	DIM S	DIM K	DIM L	DESCRIPTION	PART NUMBER
1.110	.3275	.1460	6 LP		6450813-2
5.610	.230	.2775	5.960	24 LP	6450813-1

THIS DRAWING IS A CONTROLLED DOCUMENT.		OWN: C. ZHOU	16JUN2011
DIMENSIONS: INCH		CHK: S. ZHAO	
TOLERANCES UNLESS OTHERWISE SPECIFIED:		APVD:	
0 PLC	±	PRODUCT SPEC	
1 PLC	±	108-2292	
2 PLC	±	APPLICATION SPEC	
3 PLC	±.005	114-13251	
4 PLC	±.0020	WEIGHT	
ANGLES	±.020	CUSTOMER DRAWING	
FINISH		SCALE 2:1 SHEET 1 OF 3 REV A2	

TE Connectivity NAME: VERTICAL PLUG ASSEMBLY POWER ONLY, MULTI-BEAM XLE	
SIZE: A1	CAGE CODE: 00779
DRAWING NO: 6450813	RESTRICTED TO:

LOC	DIST	REVISIONS			
		REV	DATE	BY	APPV
ES	00	-	-	-	-
		SEE SHEET 1			

PART NUMBER	ROWS	LOW POWER																							
		LP1	LP2	LP3	LP4	LP5	LP6	LP7	LP8	LP9	LP10	LP11	LP12	LP13	LP14	LP15	LP16	LP17	LP18	LP19	LP20	LP21	LP22	LP23	LP24
6450813-1	D																								
	C	LXF	LXF	LXF	LXF	LXF	LXF	LXF	LXF	LXF	LXF	LXF	LXF	LXF	LXF	LXF	LXF	LXF	LXF	LXF	LXF	LXF	LXF	LXF	
	B																								
	A																								
24 LP																									

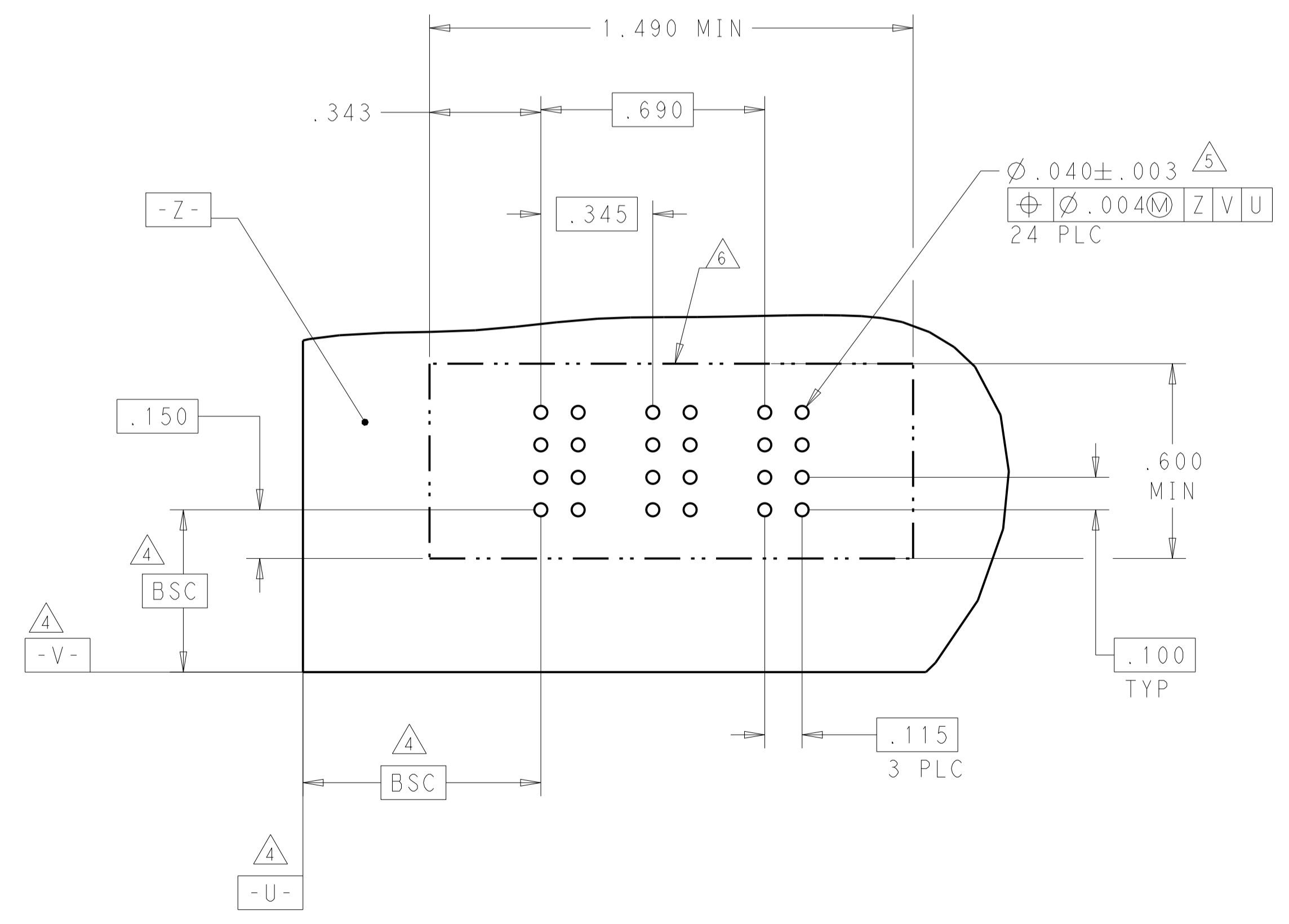
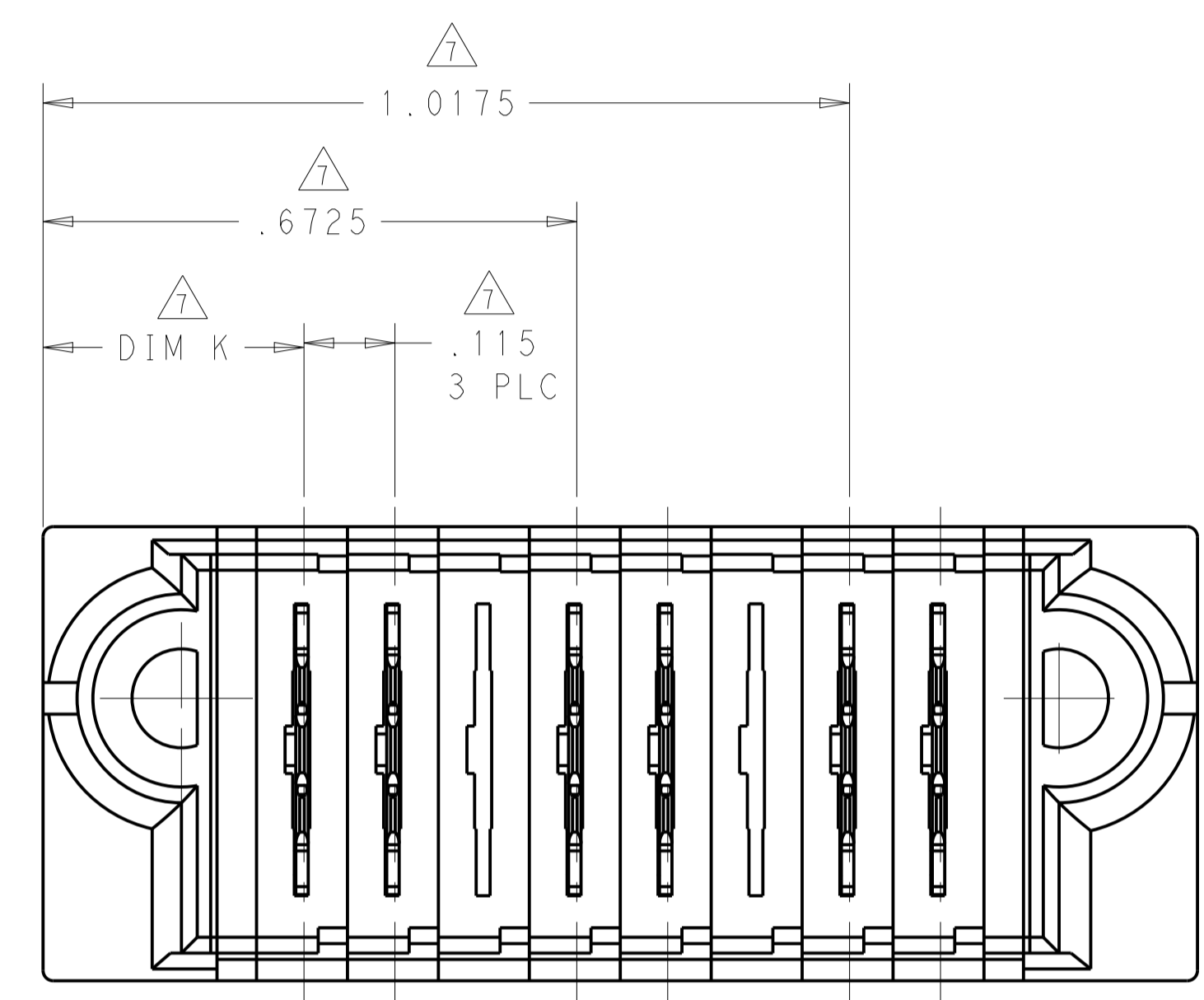


-	RETENTION CLIP	HD
MFBL	LOW POWER CONTACT .135	LXF
MATING SEQUENCE	DESCRIPTION	IDENTIFIER

THIS DRAWING IS A CONTROLLED DOCUMENT.		OWN C. ZHOU	16 JUN 2011	TE Connectivity
DIMENSIONS: inch		CHK S. ZHAO	APVD	
TOLERANCES UNLESS OTHERWISE SPECIFIED:		PRODUCT SPEC		NAME VERTICAL PLUG ASSEMBLY POWER ONLY, MULTI-BEAM XLE
0 PLC ± .010		108-2292		
1 PLC ± .005		APPLICATION SPEC		
2 PLC ± .0020		114-13251		
ANGLES °		WEIGHT		RESTRICTED TO
FINISH		CUSTOMER DRAWING		SCALE 2:1 SHEET 2 OF 3 REV A2

LOC	DIST	REVISIONS			
ES	00	REV	DATE	BY	APPV
-	-	SEE SHEET 1	-	-	-

PART NUMBER	ROWS	LOW POWER						
		LP1	LP2	LP3	LP4	LP5	LP6	
6450813-2	D		LXF	LXF	LXF	LXF	LXF	LXF
	C							
	B							
	A							
6 LP								



THIS DRAWING IS A CONTROLLED DOCUMENT.		OWN C. ZHOU	16 JUN 2011	TE Connectivity
DIMENSIONS: inch		CHK S. ZHAO	APVD	
		TOLERANCES UNLESS OTHERWISE SPECIFIED: 0 PLC ± 1 PLC ± 2 PLC ± 3 PLC ±.005 4 PLC ±.0020 ANGLES ±.2°		PRODUCT SPEC 108-2292 APPLICATION SPEC 114-13251 WEIGHT CUSTOMER DRAWING
MATERIAL		NAME VERTICAL PLUG ASSEMBLY POWER ONLY, MULTI-BEAM XLE		SIZE A100779
FINISH		RESTRICTED TO A100779C=6450813		SCALE 2:1 SHEET 3 OF 3 REV A2