

THE INFORMATION CONTAINED HEREIN IS CONSIDERED "PROPRIETARY" TO BEL FUSE INC. AND SHALL NOT BE COPIED, REPRODUCED OR DISCLOSED WITHOUT THE WRITTEN APPROVAL OF BEL FUSE INC.

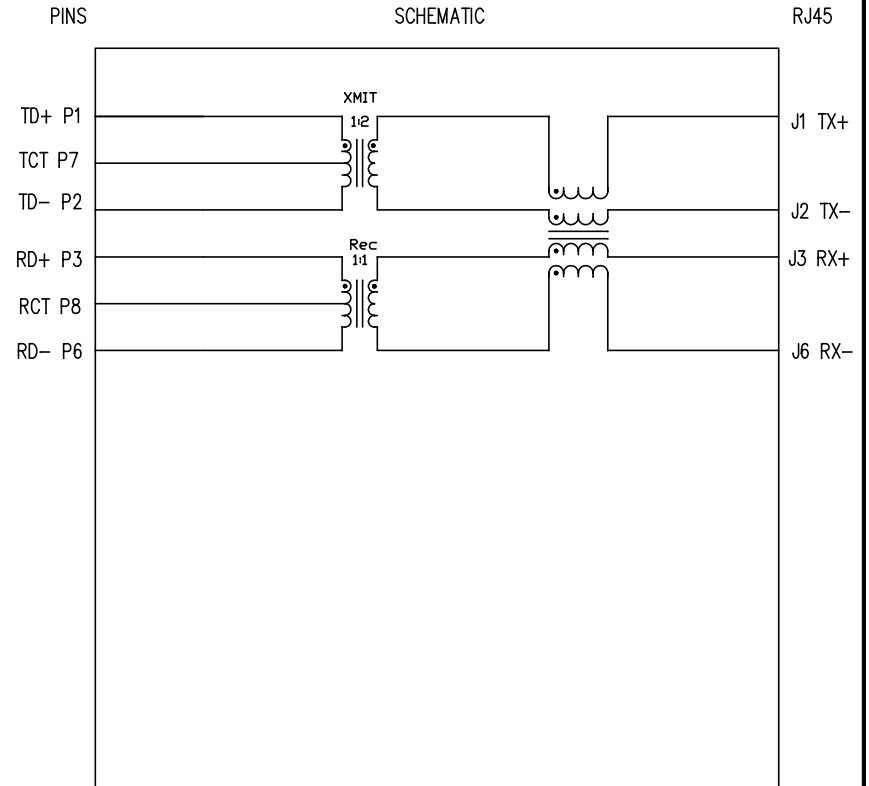
RoHS
2002/95/EC



ELECTRICAL CHARACTERISTICS @ 25°C

ELECTRICAL SPECIFICATIONS:

1.0 TURNS RATIO (P6-P8-P3) : (J6-J3)	: 1CT : 1 ± 3%
(P2-P7-P1) : (J2-J1)	: 1CT : 2 ± 3%
2.0 INDUCTANCE (P6-P3)=(J6-J3)	: 98uH MIN. @ 0.01V, 10KHz
(P2-P1)	: 18uH MIN. @ 0.01V, 10KHz
3.0 LEAKAGE INDUCTANCE P6-P3 (WITH J6 AND J3 SHORT)	: 0.3uH MAX. @ 1MHz
P2-P1 (WITH J2 AND J1 SHORT)	: 0.08uH MAX. @ 1MHz
4.0 INTERWINDING CAPACITANCE (P6,P3) TO (J6,J3)	: 8pF MAX @ 1MHz
(P2,P1) TO (J2,J1)	: 6pF MAX. @ 1MHz
5.0 DC RESISTANCE (J6-J3)=(J2-J1)	: 0.7 ohms Max.
(P6-P8)=(P8-P3)	: 0.3 ohms Max.
(P2-P7)=(P7-P1)	: 0.3 ohms Max.
6.0 DIELECTRIC WITHSTAND (P6,P3) TO (J6,J3)	: 1500Vrms
(P2,P1) TO (J2,J1)	: 1500Vrms



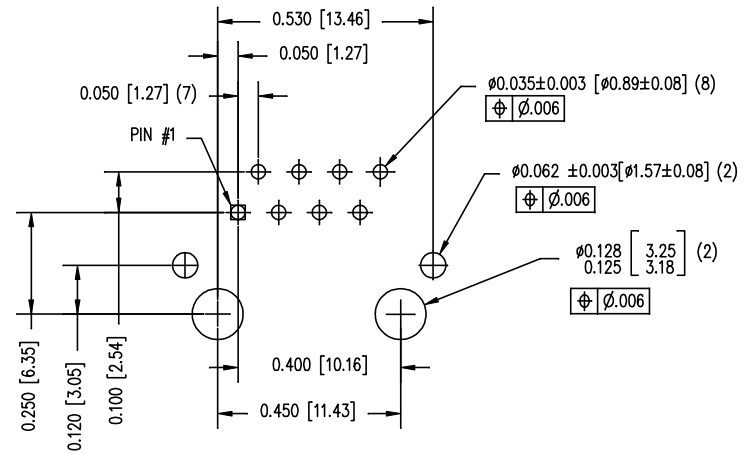
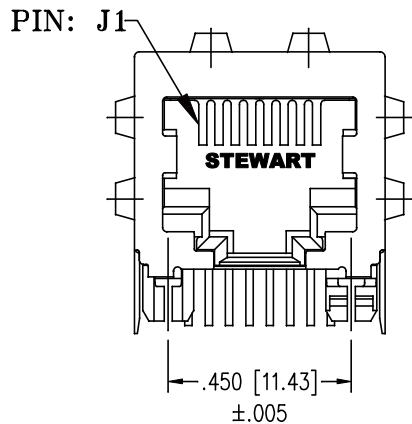
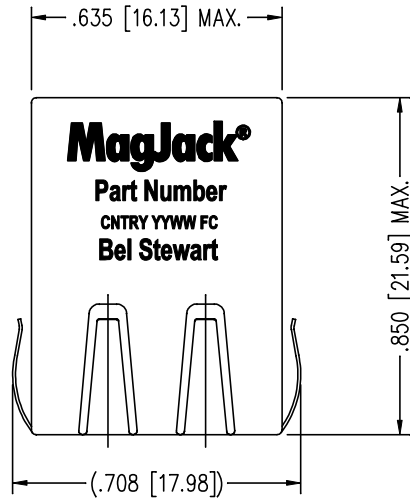
NOTES

- 1.0 PINS WITHOUT ELECTRICAL CONNECTION ARE OMITTED.
- 2.0 Ref. MG06

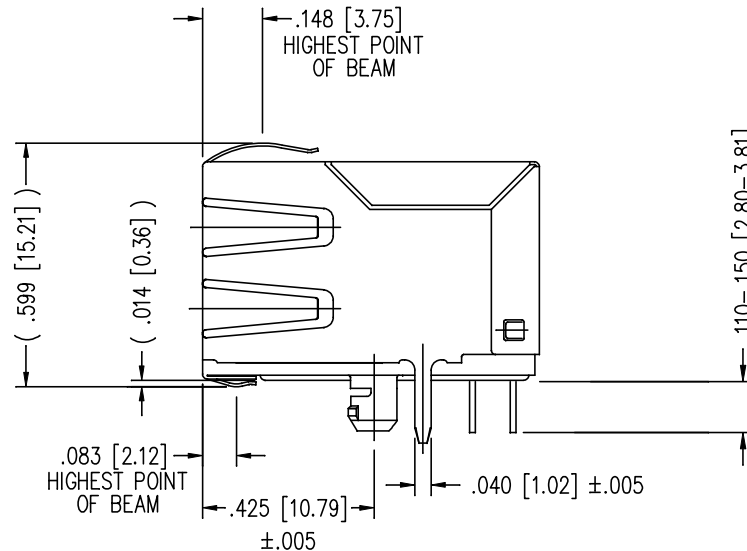
ORIGINATED BY ZL WANG	DATE 10-27-09	TITLE MagJack® 10BT TAB DOWN, SHIELDED	PART NO. / DRAWING NO. SI-60124-F	STANDARD DIM. TOL. IN INCH	[] METRIC DIM. AS REFERENCE		 COMPONENTS FOR A CONNECTED PLANET
DRAWN BY RS ZHANG	DATE 10-27-09	FILE NAME SI-60124-F.DWG	.X	UNIT : INCH [mm]	REV. : A1		
			.XX	SCALE : N/A	SIZE : A4		
			.XXX ±0.005		PAGE : 2		

THE INFORMATION CONTAINED HEREIN IS CONSIDERED "PROPRIETARY" TO BEL FUSE INC. AND SHALL NOT BE COPIED, REPRODUCED OR DISCLOSED WITHOUT THE WRITTEN APPROVAL OF BEL FUSE INC.

RoHS
2002/95/EC



P.C.B. RECOMMENDED HOLE LAYOUT
SEEN FROM COMPONENT SIDE
ALL CENTERLINE DIMENSIONS ARE BASIC



NOTES:

- CONNECTOR MATERIALS:
HOUSING: THERMOPLASTIC UL94 V-0
CONTACT/SHIELD: COPPER ALLOY
SHIELD PLATING: NICKEL OR TIN
CONTACT PLATING: SELECTIVE GOLD,
50 MICRO-INCHES MIN. IN CONTACT AREA.
- PIN NOT ELECTRICALLY CONNECTED MAYBE OMITTED.
SEE ELECTRICAL DRAWING FOR OMITTED PINS.
- TOLERANCES COMPLY WITH F.C.C. DIMENSION REQUIREMENTS.
- ALL TOLERANCES NOT OTHERWISE SPECIFIED TO BE ±.005 [0.13]
- WAVE SOLDER COMPATIBLE - PREHEAT 125°C/90SECS.

ORIGINATED BY	DATE
ZL WANG	10-27-09
DRAWN BY	DATE
RS ZHANG	10-27-09

TITLE
MagJack® 10BT TAB DOWN, SHIELDED

PART NO. / DRAWING NO.
SI-60124-F
FILE NAME
SI-60124-F.DWG

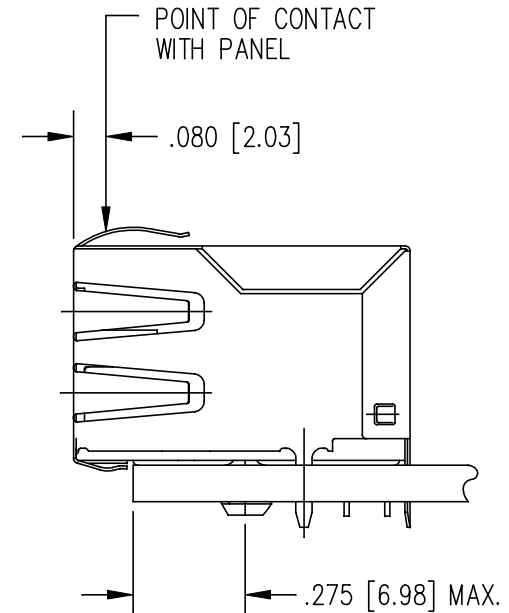
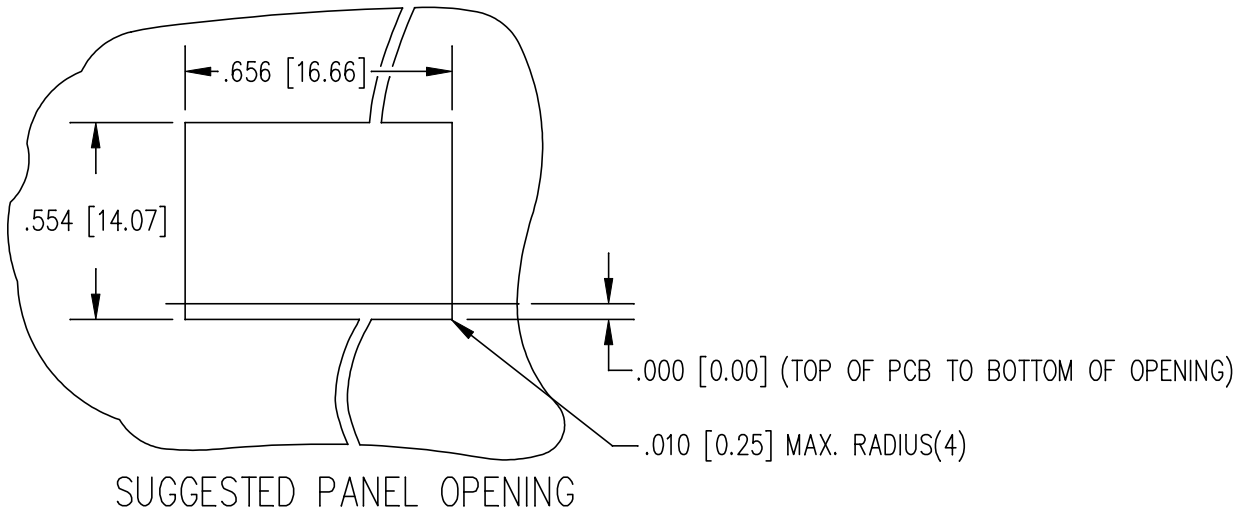
STANDARD DIM.	[] METRIC DIM. AS REFERENCE
TOL. IN INCH	UNIT : INCH [mm]
.X	REV. : A1
.XX	SCALE : N/A
.XXX	SIZE : A4
±0.005	PAGE : 3

[] METRIC DIM. AS REFERENCE
UNIT : INCH [mm]
REV. : A1
SCALE : N/A
SIZE : A4
PAGE : 3



THE INFORMATION CONTAINED HEREIN IS CONSIDERED "PROPRIETARY" TO BEL FUSE INC. AND SHALL NOT BE COPIED, REPRODUCED OR DISCLOSED WITHOUT THE WRITTEN APPROVAL OF BEL FUSE INC.

RoHS
2002/95/EC



1. THE SUGGESTED PANEL OPENING IS INTENDED TO GIVE THE USER THE ABILITY TO HAVE REASONABLE JACK / PANEL CLEARANCES YET MAINTAIN RELIABLE GROUNDING CAPABILITY.
2. ALL TOLERANCES NOT OTHERWISE SPECIFIED TO BE ± 0.005 [0.13]

ORIGINATED BY	DATE	TITLE	PART NO. / DRAWING NO.	STANDARD DIM. TOL. IN INCH	[] METRIC DIM. AS REFERENCE	
ZL WANG	10-27-09	MagJack® 10BT TAB DOWN, SHIELDED	SI-60124-F	.X	UNIT : INCH [mm]	REV. : A1
DRAWN BY	DATE		FILE NAME	.XX	SCALE : N/A	SIZE : A4
RS ZHANG	10-27-09		SI-60124-F.DWG	.XXX		PAGE : 4
				± 0.005		

