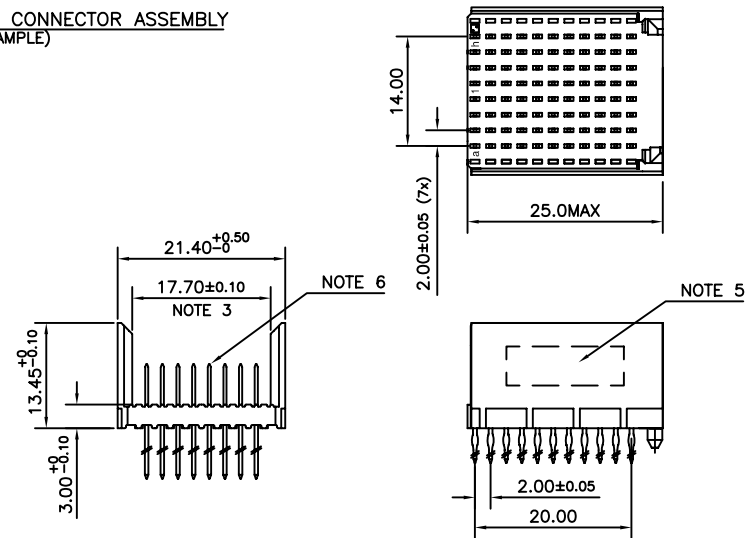


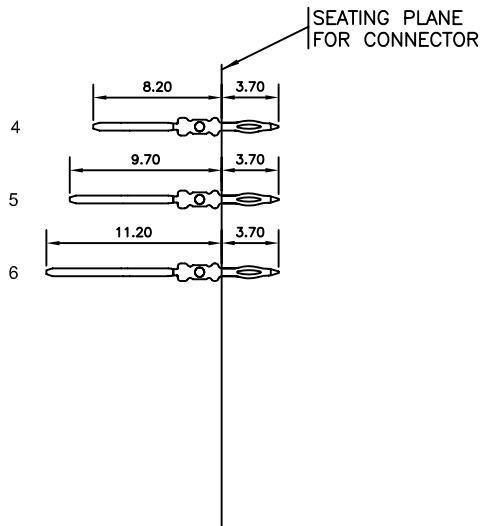
LOADING PATTERN MATING SIDE

y	0	0	0	0	0	0	0	0	0	0	
h	6	6	4	4	4	4	4	5	5	5	4
g	4	4	6	4	4	4	4	5	5	4	4
f	6	6	4	4	4	4	4	5	5	4	5
e	4	4	6	6	6	4	4	5	5	4	5
d	6	6	6	4	6	4	4	5	5	4	5
c	4	4	6	6	6	4	4	5	5	4	5
b	6	6	6	4	6	4	4	4	4	4	5
a	4	4	6	6	6	4	4	4	4	4	5
z	0	0	0	0	0	0	0	0	0	0	0
POS	0	1	0	1	0	1	0	1	0	1	0

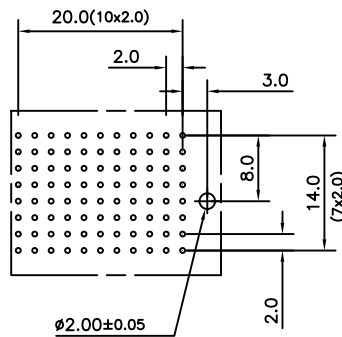
LOADED CONNECTOR ASSEMBLY (FOR EXAMPLE)



CONTACT OVERVIEW



LAY-OUT P.C.B.-HOLE



HM2P89PDK150---  
 LEAD FREE INDICATOR : LF = LEAD FREE (DIGIT 15 & 16)  
 PLATING CODE (DIGIT 13 AND 14) (REF DRW NO. BS,C , 201844 , 003)

NOTES

1. THIS PRODUCT IS CSA APPROVED.
  2. THIS PRODUCT IS UL RECOGNIZED.
  3. MEASURED AT THE BOTTOM.
  4. MATERIAL CONTACT: PHOSPHORBRONZE  
HOUSING: CREAM WHITE GLASS FILLED POLYESTER UL-94V0
  5. CONNECTOR PRINTED WITH P/N AND DATE CODE.
  6. FOR ACTUAL CONTACT LOADINGS, SEE LOADING PATTERN MATING SIDE.
  7. SHAPE OF CONNECTOR HOUSING CAN ALTER DEPENDING ON PRODUCTION LOCATION
  8. THE PRODUCT (LF) MEETS EUROPEAN UNION DIRECTIVES AND OTHER COUNTRY REGULATIONS AS DESCRIBED IN GS-22-008
  9. FOR RECOMMENDED PTH DIMENSIONS REFER DRAWING : BS, A , 201572 , 001
- CATALOG NO: HM2P89PDK150----

mat'l. code SEE NOTE 4		surface ISO 1302		tolerance ISO 406 ISO 1101		projection		product family MILLIPACS	
ltr	ecn no	dr	date	tolerances unless otherwise specified		MM		title	
A	109-0248	AB	2009/11/06	angles	linear	MM		MPACS 8+2R STR HDR PF CONN TYPE F	
				0°±1°		scale		dwg no	
				dr	ALEX BABU	2009/11/06		sheet 1 of 1	
				enr	ALEX BABU	2009/11/06		size	
				chr	ALEX BABU	2009/11/06		A3	
				appd	BIJU K PAUL	2009/11/06		type	
sheet index	revision sheet	A	1					Product Customer Drawing	

FCconnect.com  
 Copyright FCI