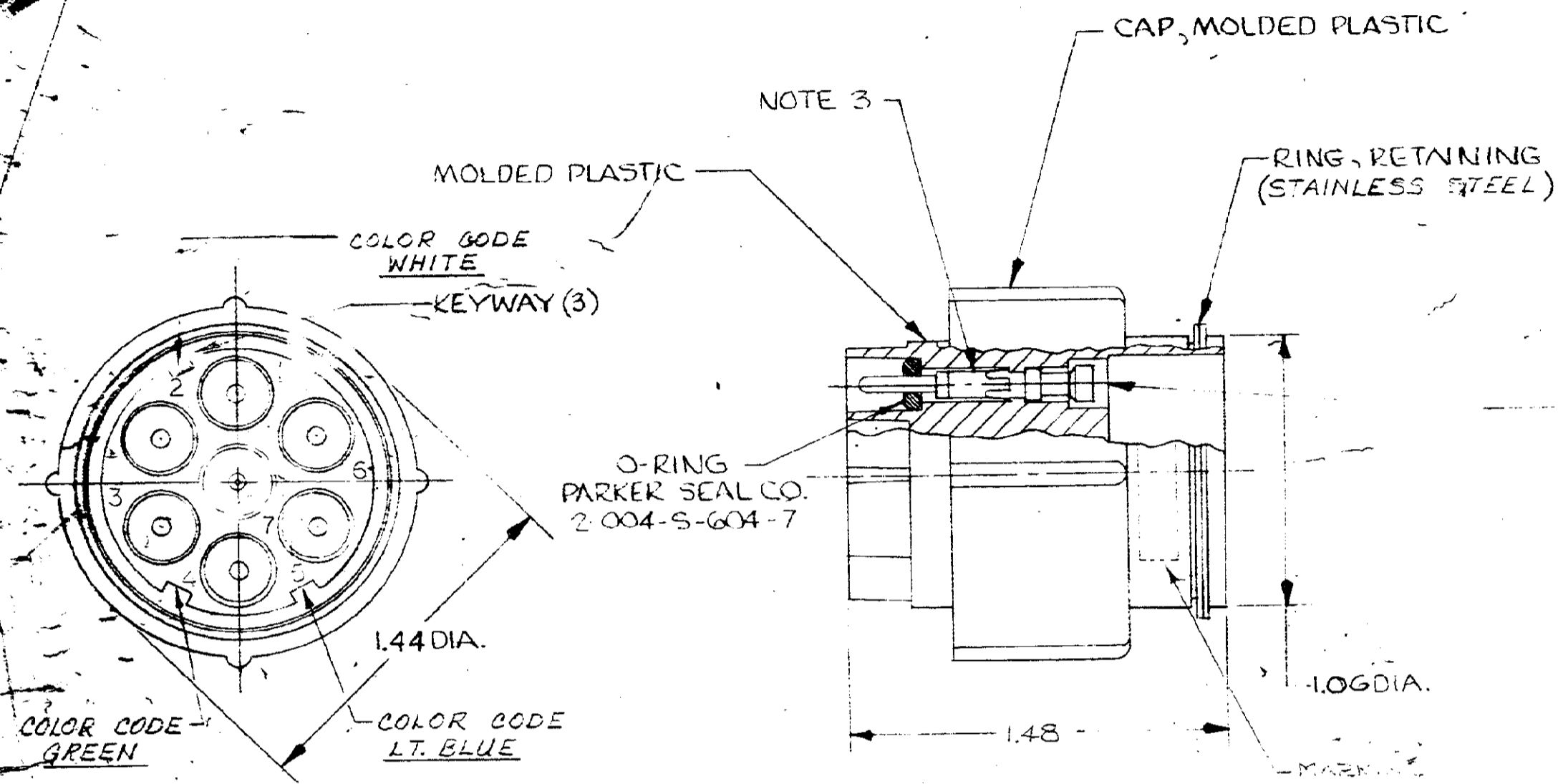


AMERICAN PROJECTION

AMP INCORPORATED. ALL RIGHTS RESERVED. AMP PRODUCTS ARE COVERED BY PATENTS AND/OR PATENT PENDING.

THIS DRAWING IS THE PROPERTY OF AMP INCORPORATED. IT IS TO BE KEPT IN CONFIDENCE AND NOT REPRODUCED OR COPIED IN ANY MANNER WITHOUT THE WRITTEN PERMISSION OF AMP INCORPORATED.

REVISIONS				
ZONE	LTR	DESCRIPTION	DATE	APPROVED
	C	ADDED -3,4-4	11/74	M.A.
	D	ADDED -5	10-14-75	M.A.
	E	ADDED NOTE 7	2-27-76	M.A.
	F	ADDED -6	10-6-76	M.A.
	G	ADDED -7,-8,-9	6-28-77	M.A.
	H	OBS-3,4,5 ENDF 0376	2-89	T.W.



CUSTOMER TO ATTACH LEADS & PROTECT AGAINST ARC-OVER & BREAKDOWN BY POTTING. PINS TO BE COATED WITH RTV IOS AND INSERTED IN CAVITIES, AFTER CURING FILL BACK END OF PLUG WITH HYDROL 4210 (REF AMP \*S-340710-2)

NOTE:

1. PLUG ASS'Y WILL WITHSTAND WITHOUT BREAKDOWN 27 KVDC PIN TO PIN & 27 KVDC PIN TO GRD. WHEN MATED WITH RECEPTACLE 80347-1
2. MARKING TO BE WHITE
3. TO FIT OVER PIN USE EXTRA 30° TOOL 80351
4. PLUG & PINS TO BE SHIPPED SEPARATELY.
5. TYPE II PINS TO ACCEPT ONE (1) 20 AWG, (1) 22 AWG, OR (1) 24 AWG STRANDED WIRE
6. TYPE II PINS TO ACCEPT ONE (1) 18 AWG, OR (1) 19 AWG STRANDED WIRE

TYPE II PINS TO ACCEPT ONE (1) 14 AWG STRANDED WIRE.

AMP P/N	WIRE SIZE FANG	HAND TOOL	COLOR CODING	
861648-1	20,22,24	45099	YES	5
861648-2	16,18	45099	YES	6
861648-3	20-24 COAX	1 COAX-69656	YES	OBS
861648-4	20-24 COAX	5 COAX-69656	YES	
861648-5	14	45098	YES	7
861648-6			YES	
861648-7	20,22,24	45099	NO	8
861648-8	16,18	45098	NO	9
861648-9	14	45098	NO	10

QTY REQD	QTY REQD	ITEM NO.	DWG SIZE	PART OR IDENTIFYING NO.	NOMENCLATURE OR DESCRIPTION	SYMBOL
-2	-1					

CONTRACT NO. \_\_\_\_\_

DR \_\_\_\_\_

CHK \_\_\_\_\_

APPD \_\_\_\_\_

APPD \_\_\_\_\_

OTHER APPD \_\_\_\_\_

AMP INCORPORATED  
CAPITRON DIVISION  
ELIZABETHTOWN, PENNSYLVANIA

NAME: PLUG ASSY, H.V. 7 PIN

EGH

SIZE: C

CODE IDENT NO.: 00779

NUMBER: 861648

SCALE: 1/1

WT

SHEET

UNLESS OTHERWISE SPECIFIED: DIMENSIONS ARE IN INCHES TOLERANCES
.00 ± .04 ANGLES =
.000 ± .015

MATERIAL:

FINISH:
BLACK

NEXT ASSY	FINAL ASSY	NEXT ASSY	USED ON

QTY REQD	APPLICATION