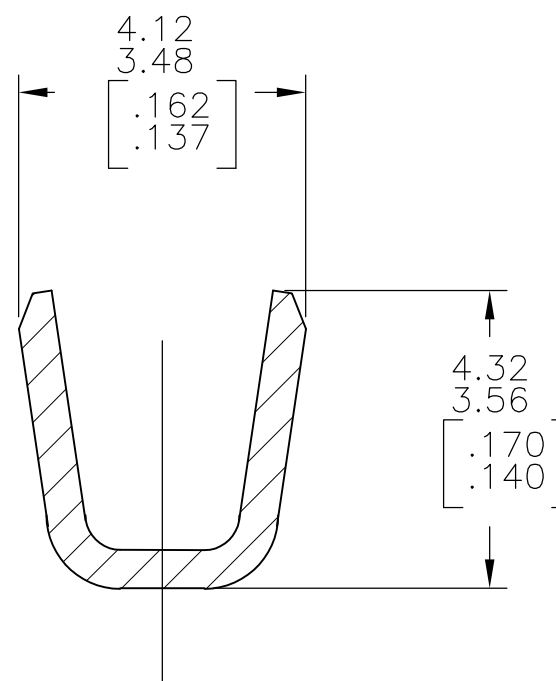
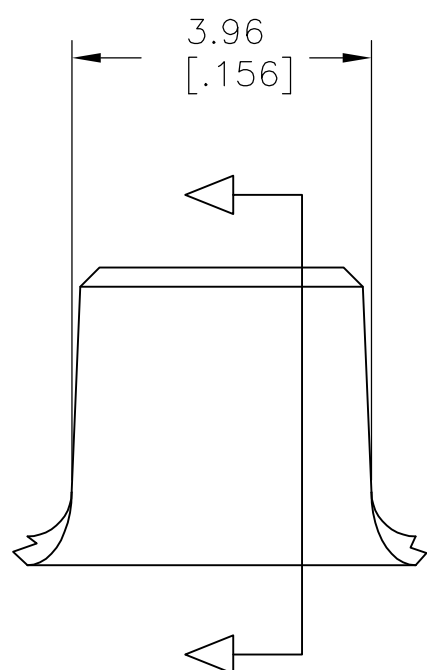
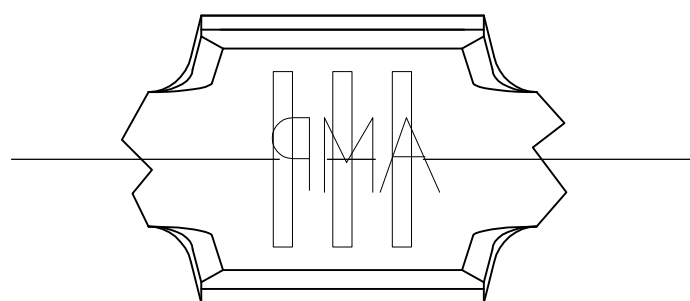


THIS DRAWING IS UNPUBLISHED. RELEASED FOR PUBLICATION

© COPYRIGHT BY TYCO ELECTRONICS CORPORATION. ALL INTERNATIONAL RIGHTS RESERVED.

LOC	DIST	REVISIONS			
P	LTR	DESCRIPTION	DATE	DWN	APVD
AF	50				
	C1	REVISED PER ECR-11-001036	21JAN11	HMR	GJ

- 1 PRODUCT PROVIDED IN STRIP FORM ON REELS, BREAKS MAY BE PRESENT.
- 2 WIRE RANGE FOR NEW APPLICATIONS : 1.27–2.38mm² [2500–4700 CMA](WIRE RANGE APPROVED FOR APPLICATIONS IMPLEMENTED PRIOR TO 2005: 2000–5300 CMA).
- 3 CRIMP WIDTH: 3.05[.120] F TYPE.
CRIMP HEIGHT IN INCHES (±.002)=(TOTAL CMA OF WIRES +12240)/220000.



40868
PART NUMBER

THIS DRAWING IS A CONTROLLED DOCUMENT.		DWN M.S. FEHER 18OCT2004	Tyco Electronics Corporation Harrisburg, PA 17105-3608		
DIMENSIONS: mm [INCHES]	TOLERANCES UNLESS OTHERWISE SPECIFIED:	CHK G.D. PORTA 18OCT2004	NAME		
	0 PLC ± -	APVD G.D. PORTA 18OCT2004	SPLICE		
	1 PLC ± -	PRODUCT SPEC	-		
	2 PLC ± 0.25[.010]	APPLICATION SPEC	114-2088	SIZE	CAGE CODE
	3 PLC ± -		114-2088	A3	00779
	4 PLC ± -			DRAWING NO	C-40868
	ANGLES ± 1° 0'			RESTRICTED TO	-
MATERIAL BRASS	FINISH TIN	WEIGHT -	CUSTOMER DRAWING		
			SCALE	SHEET	REV
			10:1	1 OF 1	C1