

Evaluation Board for CS42L51

Features

- ◆ MUXed Analog Input
 - Stereo RCA Inputs
 - Two Microphone Input Jacks
- ◆ MUXed Analog Output
 - Stereo RCA Output (w/Optional Load or LPF)
 - Stereo Headphone Jack
 - Mono Speaker Driver w/Banana Posts
- ◆ 8 kHz to 96 kHz S/PDIF Interface
 - CS8415 Digital Audio Receiver
 - CS8406 Digital Audio Transmitter
- ◆ I/O Stake Headers
 - External Control Port Accessibility
 - External DSP Serial Audio I/O Accessibility
- ◆ Independent, Regulated Supplies
- ◆ 1.8 V to 3.3 V Logic Interface
- ◆ Hardware Control
 - 11 Pre-Defined Switch Settings
- ◆ FlexGUI S/W Control - Windows® Compatible
 - Pre-Defined & User-Configurable Scripts
- ◆ Layout and Grounding Recommendations

Description

The CDB42L51 evaluation board is an excellent means for evaluating the CS42L51 CODEC. Evaluation requires an analog/digital signal source and analyzer, and power supplies. Optionally, a Windows PC-compatible computer may be used to evaluate the CS42L51 in Software Mode.

System timing can be provided by the CS8415, by the CS42L51 with supplied master clock, or by an I/O stake header with a DSP connected.

RCA phono jacks are provided for the CS42L51 analog inputs and outputs. 1/8th inch jacks are also available for microphone input and headphone output. Digital data I/O is available via RCA phono or optical connectors to the CS8415 and CS8406.

The Windows software provides a GUI to make configuration of the CDB42L51 easy. The software communicates through the PC's serial port to configure the control port registers so that all features of the CS42L51 can be evaluated. The evaluation board may also be configured to accept external timing and data signals for operation in a user application during system development.

ORDERING INFORMATION

CDB42L51

Evaluation Board

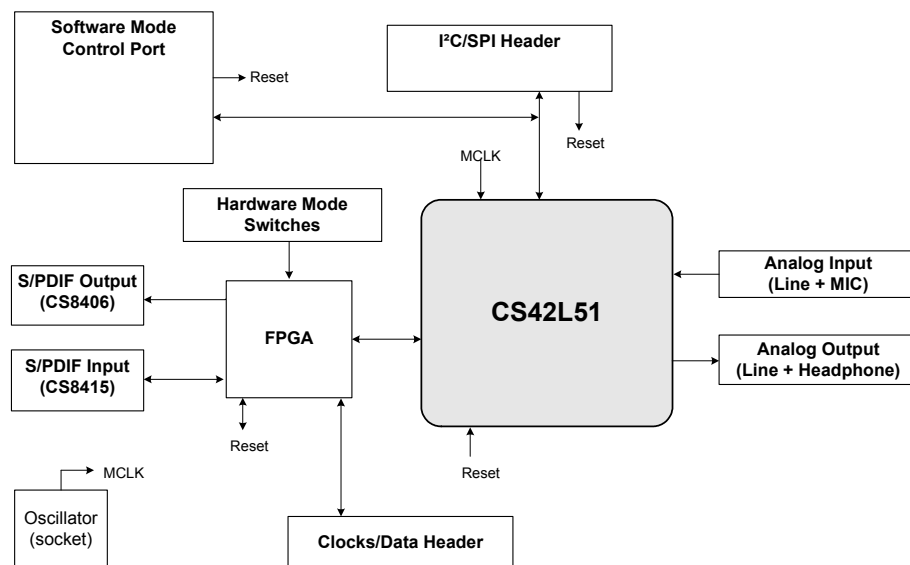


TABLE OF CONTENTS

1. SYSTEM OVERVIEW	4
1.1 Power	4
1.2 Grounding and Power Supply Decoupling	4
1.3 FPGA	4
1.4 CS42L51 Audio CODEC	4
1.5 CS8406 Digital Audio Transmitter	5
1.6 CS8415 Digital Audio Receiver	5
1.7 Oscillator	5
1.8 I/O Stake Headers	5
1.9 Analog Input	6
1.10 Analog Outputs	6
1.11 Stand-Alone Switches	6
1.12 USB and RS-232 Control Port Connectors	6
2. SOFTWARE MODE CONTROL	7
2.1 General Configuration Tab	8
2.2 CODEC Configuration Tab	9
2.3 ADC Volume Controls Tab	10
2.4 DAC Volume Controls Tab	11
2.5 Register Maps Tab	12
3. HARDWARE MODE CONTROL	13
3.1 FPGA H/W Control	13
3.2 CS42L51 H/W Control	17
4. SYSTEM CONNECTIONS AND JUMPERS	17
5. CDB42L51 BLOCK DIAGRAM	19
6. CDB42L51 SCHEMATICS	20
7. CDB42L51 LAYOUT	26
8. ERRATA	29
9. REVISION HISTORY	29

LIST OF FIGURES

Figure 1. General Configuration Tab.....	8
Figure 2. CODEC Configuration Tab	9
Figure 3. ADC Volume Controls Tab.....	10
Figure 4. DAC Volume Controls Tab.....	11
Figure 5. Register Maps Tab - CS42L51	12
Figure 6. Routing 0.....	14
Figure 7. Routing 1.....	14
Figure 8. Routing 3.....	14
Figure 9. Routing 4.....	15
Figure 10. Routing 5.....	15
Figure 11. Routing 6.....	15
Figure 12. Routing 7.....	15
Figure 13. Routing 8.....	16
Figure 14. Routing 9.....	16
Figure 15. Routing 10.....	16
Figure 16. Routing 11.....	16
Figure 17. Block Diagram.....	19
Figure 18. CS42L51 and Analog I/O (Schematic Sheet 1)	20
Figure 19. S/PDIF I/O (Schematic Sheet 2)	21
Figure 20. FPGA (Schematic Sheet 3).....	22
Figure 21. Level Shifters & I/O Stake Header (Schematic Sheet 4)	23
Figure 22. Control Port I/O (Schematic Sheet 5)	24

Figure 23. Power (Schematic Sheet 6)	25
Figure 24. Silk Screen.....	26
Figure 25. Top-Side Layer	27
Figure 26. Bottom-Side Layer	28

LIST OF TABLES

Table 1. MCLK and Clock/Data Routing Options.....	13
Table 2. CS42L51 H/W Mode Control.....	17
Table 3. System Connections	17
Table 4. Jumper Settings	18

1. SYSTEM OVERVIEW

The CDB42L51 evaluation board is an excellent means for evaluating the CS42L51 CODEC. Digital audio signal interfaces are provided, and an FPGA is used for easily configuring the board. [Section 2. “Software Mode Control” on page 7](#) and [Section 3. “Hardware Mode Control” on page 13](#) provide configuration details.

The CDB42L51 schematic set has been partitioned into six pages and is shown in Figures 18 through 23. [“System Connections and Jumpers” on page 17](#) provides a description of all stake headers and connectors, including the default factory settings for all jumpers.

1.1 Power

Power is supplied to the evaluation board through the +5.0 V binding posts. Jumpers connect the CODEC's supplies to a regulated voltage of +1.8 V, 2.5 V or +3.3 V for VL and +1.8 V or 2.5 V for VD, VA and VA_HP. All voltage inputs must be referenced to the black binding post ground connector.

For current measurement purposes only, a series resistor is connected to each supply. The current is easily calculated by measuring the voltage drop across this resistor. **NOTE:** The stake headers connected in parallel with these resistors must be shunted with the supplied jumper during normal operation.

WARNING: Please refer to the CS42L51 data sheet for allowable voltage levels.

1.2 Grounding and Power Supply Decoupling

The CS42L51 requires careful attention to power supply and grounding arrangements to optimize performance. The CDB42L51 demonstrates these optimal arrangements. [Figure 17 on page 19](#) provides an overview of the connections to the CS42L51. [Figure 24 on page 26](#) shows the component placement, [Figure 25 on page 27](#) shows the top layout, and [Figure 26 on page 28](#) shows the bottom layout. The decoupling capacitors are located as close to the CS42L51 as possible. Extensive use of ground plane fill in the evaluation board yields large reductions in radiated noise.

1.3 FPGA

The FPGA provides digital signal routing between the CS42L51, CS8406, CS8415 and the I/O stake header. It also configures the hardware mode options of the CS8406 and CS8415 and provides routing control of the system master clock from an on-board oscillator, the CS8415 and the I/O stake header. The Cirrus FlexGUI software and “FPGA H/W Control” switches provide full control of the FPGA's routing and configuration options. [Section 2. “Software Mode Control” on page 7](#) and [Section 3. “Hardware Mode Control” on page 13](#) provide configuration details.

1.4 CS42L51 Audio CODEC

A complete description of the CS42L51 ([Figure 18 on page 20](#)) is included in the CS42L51 product data sheet.

The CS42L51 may be configured using either the Cirrus FlexGUI or the on-board “CS42L51 H/W Control” switches. The Software Mode control port registers are accessible through the “Register Maps” tab of the Cirrus FlexGUI software. This tab provides low-level control of each bit. For easier configuration, additional tabs provide high-level control. The Hardware Mode, stand-alone controls for the CS42L51 are accessible through the on-board, stand-alone switches, “CS42L51 H/W Control.”

Clock and data source selections are made in the control port of the FPGA, accessible through the “General Configurations” tab of the Cirrus FlexGUI software or through the on-board “FPGA H/W Control” switches. [Section 2. “Software Mode Control” on page 7](#) and [Section 3. “Hardware Mode Control” on page 13](#) provide configuration details.

1.5 CS8406 Digital Audio Transmitter

A complete description of the CS8406 transmitter ([Figure 19 on page 21](#)) and a discussion of the digital audio interface are included in the CS8406 data sheet.

The CS8406 converts the PCM data generated by the CS42L51 to the standard S/PDIF data stream and routes this signal to the optical and RCA connectors. The CS8406 operates in slave mode only, accepting either a 128xFs or 256xFs master clock, and can operate in either the Left-Justified or I²S interface format.

Selections are made in the control port of the FPGA, accessible through the “General Configurations” tab of the Cirrus FlexGUI software or through the on-board switches, “FPGA H/W Control.” [Section 2. “Software Mode Control” on page 7](#) and [Section 3. “Hardware Mode Control” on page 13](#) provide configuration details.

1.6 CS8415 Digital Audio Receiver

A complete description of the CS8415 receiver ([Figure 19 on page 21](#)) and a discussion of the digital audio interface are included in the CS8415 data sheet.

The CS8415 converts the input S/PDIF data stream from the optical or the RCA connector into PCM data for the CS42L51. The CS8415 operates in master or slave mode, generates a 256xFs master clock, and can operate in either the Left-Justified or I²S interface format.

Selections are made in the control port of the FPGA, accessible through the “General Configurations” tab of the Cirrus FlexGUI software or through the on-board “FPGA H/W Control” switches. [Section 2. “Software Mode Control” on page 7](#) and [Section 3. “Hardware Mode Control” on page 13](#) provide configuration details.

1.7 Oscillator

The on-board oscillator provides one of the system master clocks. Selections are made in the control port of the FPGA, accessible through the “General Configurations” tab of the Cirrus FlexGUI software or through the on-board switches, “FPGA H/W Control.” [Section 2. “Software Mode Control” on page 7](#) and [Section 3. “Hardware Mode Control” on page 13](#) provide configuration details.

The oscillator is mounted in pin sockets, allowing easy removal or replacement. Additional sockets are also installed, allowing the optional use of a full- or half-can-sized oscillator.

1.8 I/O Stake Headers

The evaluation board has been designed to allow interfacing with external systems via a serial port header (reference designation J5) and a control port header, “CS42L51 S/W Control.” The serial port header provides access to the serial audio signals required to interface with a DSP ([Figure 21 on page 23](#)). Selections are made in the control port of the FPGA, accessible through the “General Configurations” tab of the Cirrus FlexGUI software or through the on-board switches, “FPGA H/W Control.” [Section 2. “Software Mode Control” on page 7](#) and [Section 3. “Hardware Mode Control” on page 13](#) provide configuration details.

The control port header provides bidirectional access to the SPI™/I²C® control port signals by simply removing all the shunt jumpers from the “PC” position. The user may then choose to connect a ribbon cable to the “CONTROL” position, allowing operation of the CS42L51 in a user-application for system development. A single “GND” row for the ribbon cable’s ground connection is provided to maintain signal integrity. Two unpopulated pull-up resistors are also available should the user choose to use the CDB for the I²C power rail.

1.9 Analog Input

RCA connectors supply the line-level analog inputs through an AC-coupled passive filter. The signal from these inputs may be driven to individual inputs or to all inputs of the CS42L51. A microphone may be connected to one or both of the 1/8th inch jacks, MIC1 and MIC2.

To accommodate the microphone bias output available on certain input pins of the CS42L51, additional stake headers are provided to MUX both the input audio signal and the output bias signal to or from the CS42L51. [Figure 18 on page 20](#) in the schematic set illustrates how signals are routed. [Table 4 on page 18](#) provides more details for how to connect the jumpers. The CS42L51 data sheet details the required single-ended signal amplitude that will drive the inputs to full scale.

1.10 Analog Outputs

RCA connectors are connected directly to the output of the CS42L51 to allow evaluation of the ground-centered analog outputs. The Right Channel and Left Channel stake headers optionally connect a passive-filtered output to the RCA connectors. For evaluation of the CS42L51's drive strength into a load, the 16 Ω HP Load stake headers connect the analog outputs to 16 Ω . Headphones may also be connected to the 1/8th inch jack. When connecting headphones, the 16 Ω load resistors should be disconnected by removing the jumpers on each stake header.

One of the analog outputs may be connected to a speaker driver through the "Speaker" stake header. A mono speaker may then be driven via the red and black banana jack. The red banana jack designates the positive terminal while black designates the negative.

1.11 Stand-Alone Switches

The "FPGA H/W Control" and "CS42L51 H/W Control" switches control all Hardware Mode options. [Section 3. "Hardware Mode Control" on page 13](#) provides a description of each topology.

1.12 USB and RS-232 Control Port Connectors

A graphical user interface is available for the CDB42L51, allowing easy manipulation of each register. This GUI interfaces with the CDB via the USB and RS-232 connectors and controls all Software Mode options. [Section 2. "Software Mode Control" on page 7](#) provides a description of the Graphical User Interface (GUI).

Simply connect a cable from the USB or RS-232 connector to the PC and launch the Cirrus Logic FlexGUI software to enable software control of the CDB42L51.

2. SOFTWARE MODE CONTROL

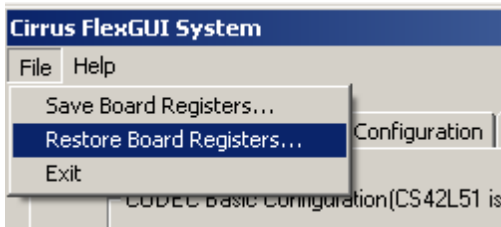
The CDB42L51 may be used with the Microsoft® Windows-based FlexGUI graphical user interface, allowing software control of the CS42L51 and FPGA registers. The latest control software may be downloaded from www.cirrus.com/mssoftware. Step-by-step instructions for setting up the FlexGUI are provided as follows:

1. Download and install the FlexGUI software as instructed on the Website.
2. Connect and apply power to the +5.0 V binding post.
3. Connect the CDB to the host PC using either a 9-pin serial or USB cable.
4. Launch the Cirrus FlexGUI. *Once the GUI is launched successfully, all registers are set to their default reset state.*
5. Enable the CS42L51 by engaging the “Enable CS42L51” push button.
6. Refresh the GUI by clicking on the “Update” button. *The default state of all registers are now visible.*
7. Engage and then disengage the “Power Down” push button in the “CODEC Basic Configurations” group. *This performs the necessary write sequence to the CS42L51 for Software Mode operation.*

For standard setup:

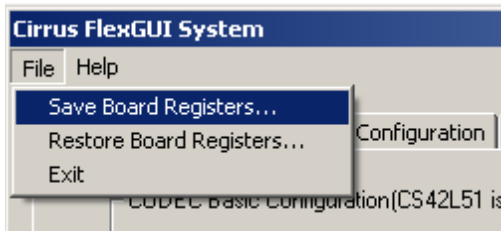
8. Set up the signal routing in the “General Configurations” tab as desired.
9. Set up the CS42L51 in the “CODEC Configurations”, “ADC Volume Controls” or “DAC Volume Controls” tab as desired.
10. Begin evaluating the CS42L51.

For quick setup, the CDB42L51 may, alternatively, be configured by loading a predefined sample script file:



11. On the File menu, click "Restore Board Registers..."
12. Browse to Boards\CDB42L51\Scripts\.
13. Choose any one of the provided scripts to begin evaluation.

To create personal scripts files:



14. On the File menu, click "Save Board Registers..."
15. Enter any name that sufficiently describes the created setup.
16. Choose the desired location and save the script.
17. To load this script, follow the instructions from step 11 above.

2.1 General Configuration Tab

The “General Configuration” tab provides high-level control of signal routing on the CDB42L51. This tab also includes basic controls for the CS42L51 for quickly setting up the CDB42L51 in simple configurations. Status text detailing the CODEC’s specific configuration is shown in parenthesis or appears directly below the associated control. This text may change depending on the setting of the associated control. A description of each control group is outlined below:

CODEC Basic Configuration - Includes basic register controls in the CS42L51 used for setting up the interface format, clocking functions and internal analog input routing. See [Section 2.2](#) through [Section 2.4](#) for more controls in the CS42L51.

S/PDIF Receiver Control - Includes all available hardware mode controls for setting up the CS8415.

S/PDIF Transmitter Control - Includes all available hardware mode controls for setting up the CS8406.

Clock/Data Routing and CODEC Reset - Includes controls used for routing clocks and data between the CS42L51, CS8415, oscillator and the I/O stake header. Also includes a reset control for the CS42L51.

Update - Reads all registers in the FPGA and CS42L51 and reflects the current values in the GUI.

Reset - Resets FPGA to default routing configuration.

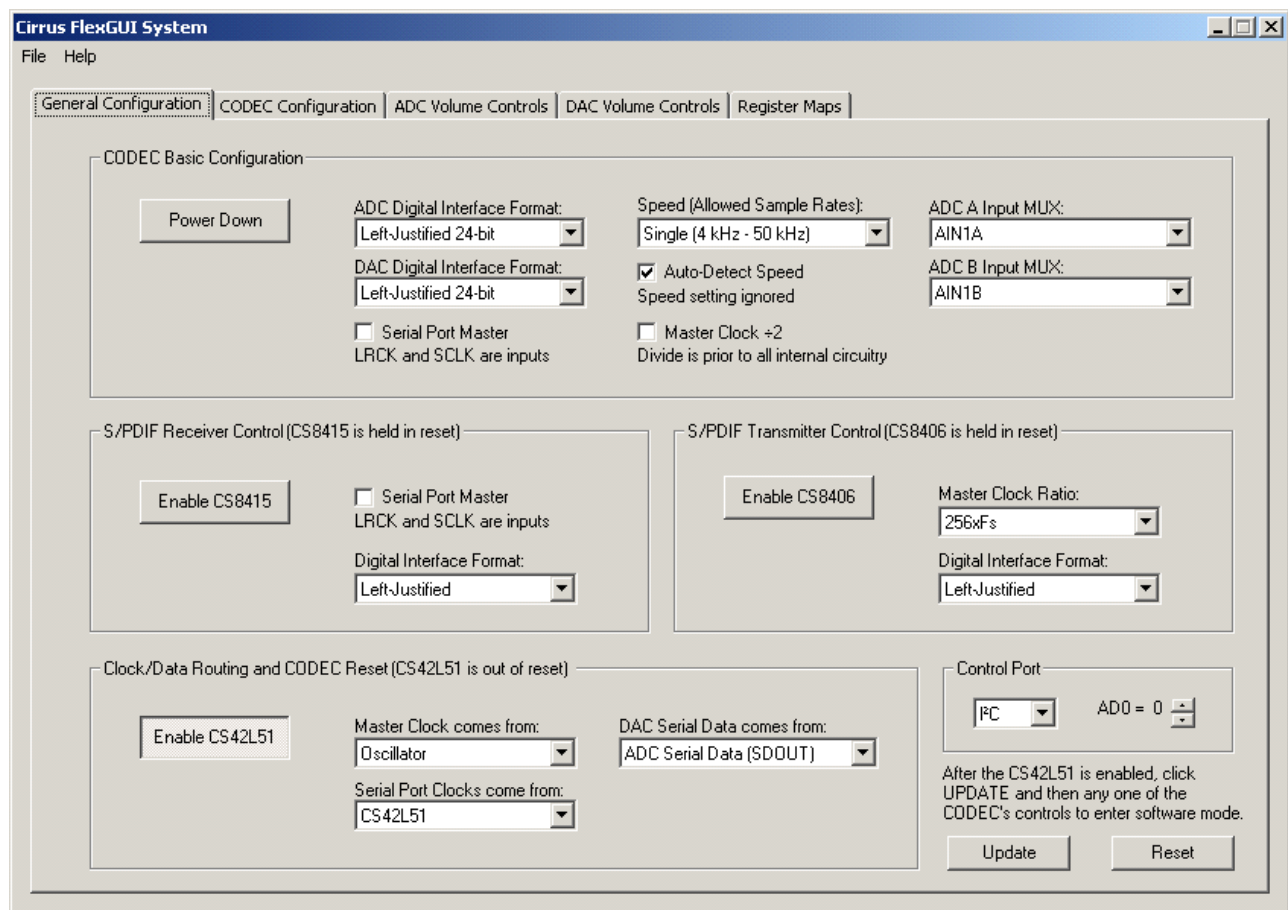


Figure 1. General Configuration Tab

2.2 CODEC Configuration Tab

The “CODEC Configuration” tab provides high-level control of all setup configurations for the CS42L51. Status text detailing the CODEC’s specific configuration is shown in parenthesis or appears directly below the associated control. This text will change depending on the setting of the associated control. A description of each control group is outlined below (a description of each register is included in the CS42L51 data sheet):

Power Control - Includes all register controls for powering down each device within the CODEC.

ADC input Configuration - Includes controls for the internal MUX, analog input and microphone bias output.

Serial Port Configuration - Includes controls for all settings related to the transmission and relationship of data and clocks within the CODEC.

Analog Output Configuration - Includes control for the signal sources of the DAC. **NOTE:** Most controls in the “DAC Volume Controls” tab are not accessible unless the SPE (Signal Processing Engine) signal is selected.

Update - Reads all registers in the CS42L51 and reflects the current values in the GUI.

Reset - Resets the CS42L51.

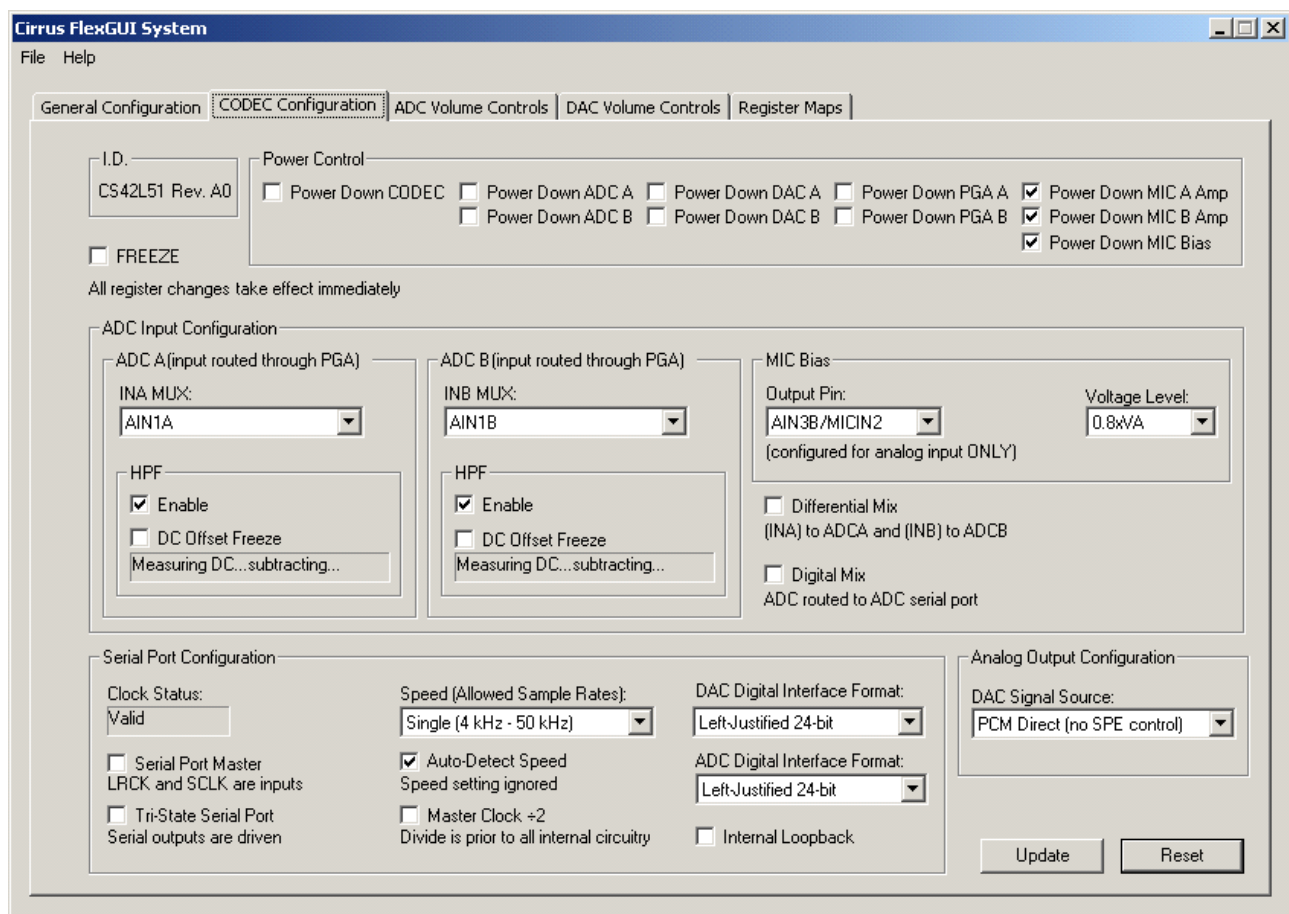


Figure 2. CODEC Configuration Tab

2.3 ADC Volume Controls Tab

The “ADC Volume Controls” tab provides high-level control of all volume settings in the ADC of the CS42L51. Status text detailing the CODEC’s specific configuration is shown in parenthesis or inside the control group of the affected control. This text will change depending on the setting of the associated control. A description of each control group is outlined below (a description of each register is included in the CS42L51 data sheet):

Digital Volume Control - Includes digital volume controls and adjustments for the ADC.

ALC Configuration - Includes all configuration settings for the Automatic Level Control (ALC).

Analog Volume Control - Includes all analog volume controls and adjustments for the ADC.

Noise Gate Configuration - Includes all configuration settings for the noise gate.

Update - Reads all registers in the CS42L51 and reflects the current values in the GUI.

Reset - Resets the CS42L51.

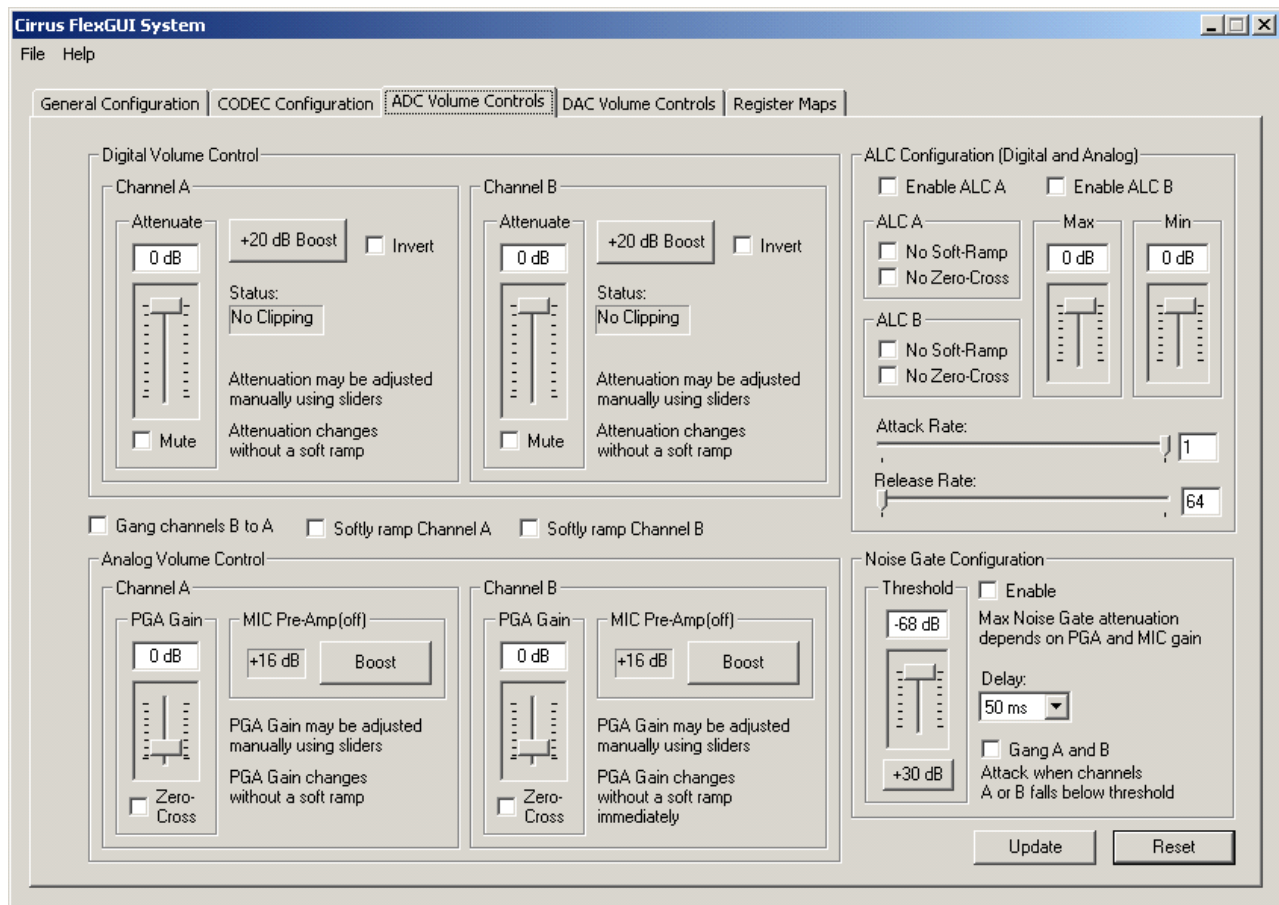


Figure 3. ADC Volume Controls Tab

2.4 DAC Volume Controls Tab

The “DAC Volume Controls” tab provides high-level control of all volume settings in the DAC of the CS42L51. Status text detailing the CODEC’s specific configuration is shown in read-only edit boxes, in parenthesis, or appears directly below the associated control. This text will change, depending on the setting of the associated control. **NOTE:** Control groups that include “(SPE)” in its labeling are a part of the Signal Processing Engine (SPE) and are not accessible unless the SPE signal is selected in the “CODEC Configuration” tab. A description of each control group is outlined below (a description of each register is included in the CS42L51 data sheet):

Digital Volume Control - Includes all digital volume controls and adjustments for the DAC.

Analog Multipliers - Includes the control for the analog gain of the output amplifier and displays the full scale output factors.

Limiter Configuration - Includes all configuration settings for the Limiter.

Tone Control - Includes all bass and treble boosting controls and adjustments.

BEEP Generator - Includes all configuration settings for the BEEP generator.

Update - Reads all registers in the CS42L51 and reflects the current values in the GUI.

Reset - Resets the CS42L51.

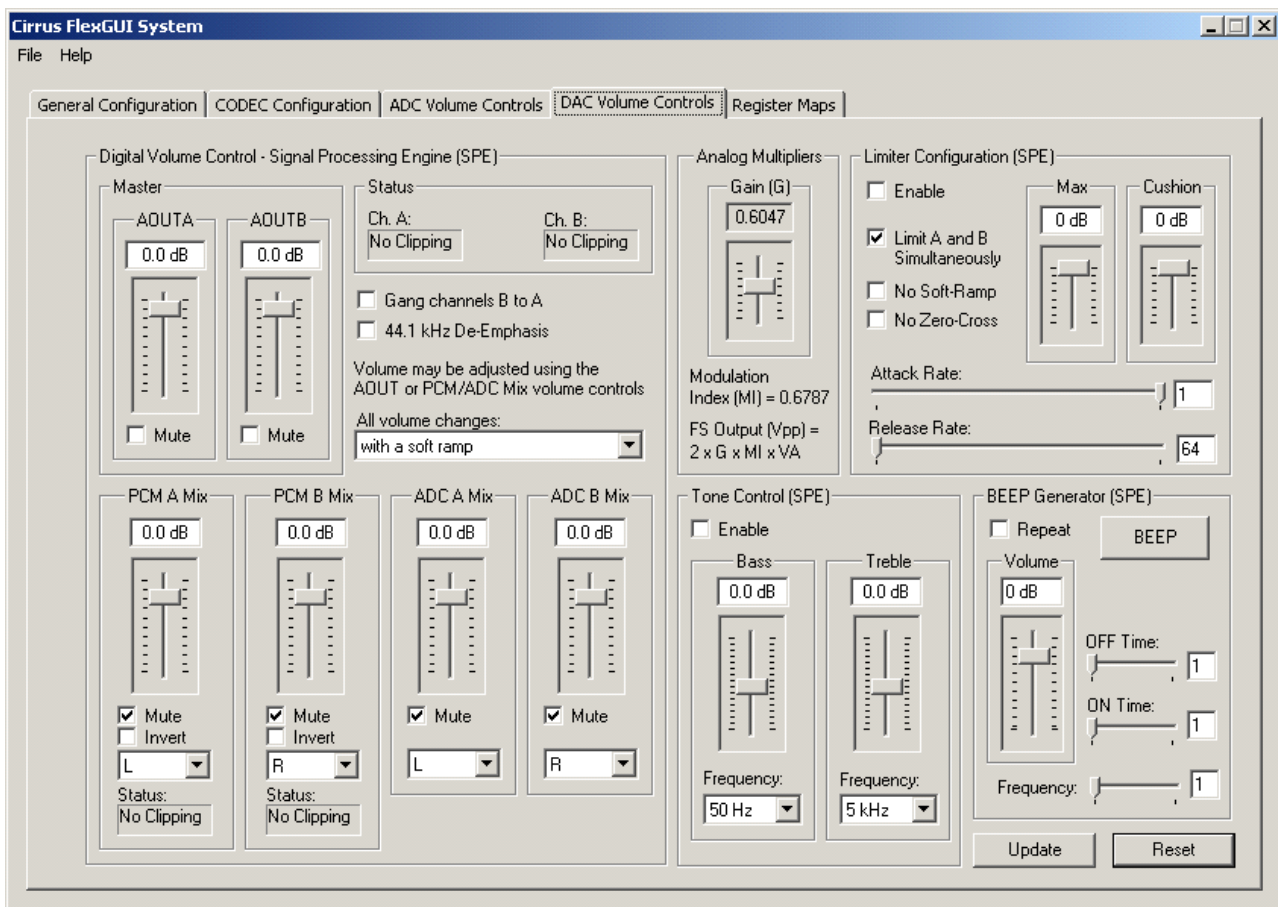


Figure 4. DAC Volume Controls Tab

2.5 Register Maps Tab

The Advanced Register Debug tab provides low-level control of the CS42L51 individual register settings. Register values can be modified bit-wise or byte-wise. For bit-wise, click the appropriate push-button for the desired bit. For byte-wise, the desired hex value can be typed directly into the register address box in the register map. The “FPGA” and “GPIO” tabs may be ignored.

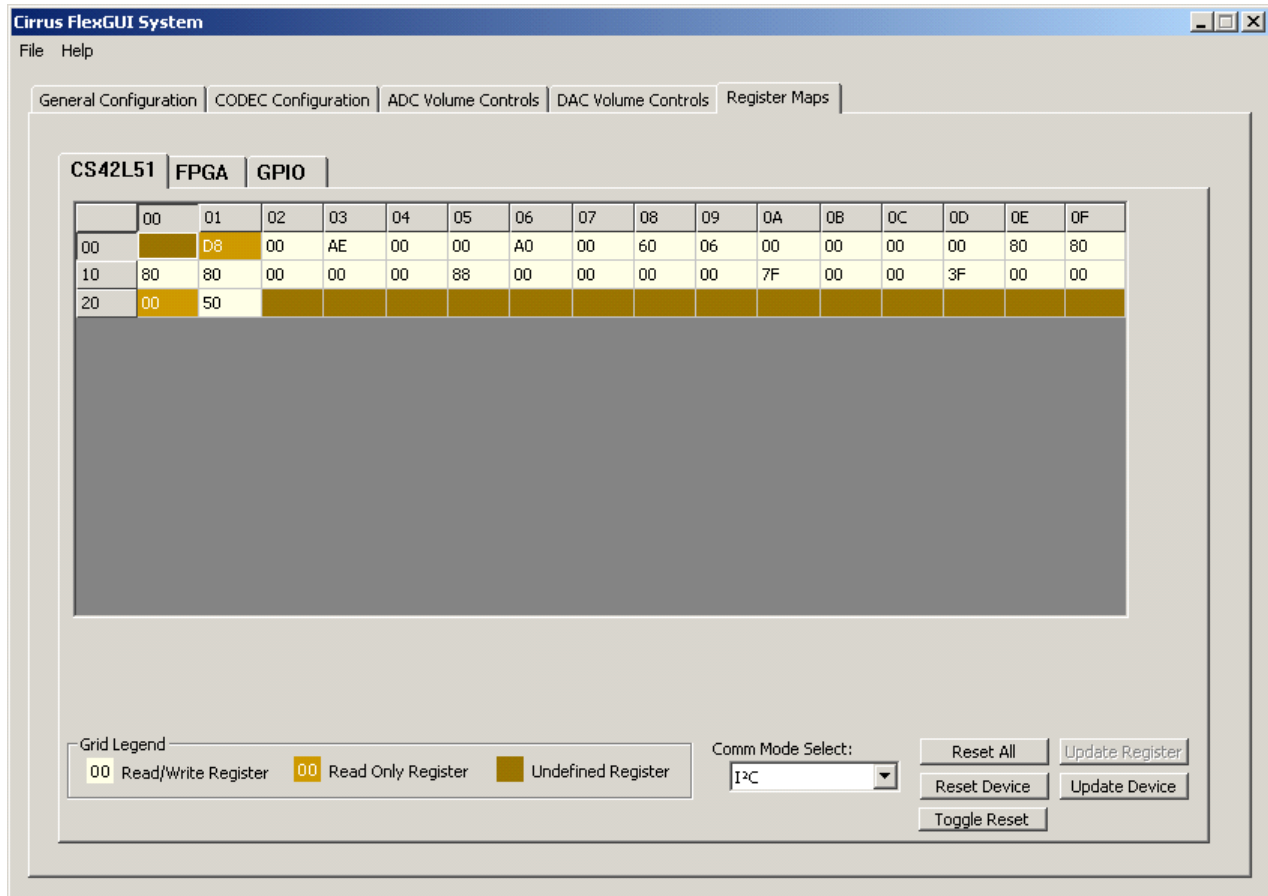


Figure 5. Register Maps Tab - CS42L51

3. HARDWARE MODE CONTROL

The CDB may be configured without the use of a software control port through the use of two switches, “FPGA H/W Control” and “CS42L51 H/W Control.” These switches are enabled in hardware mode only and ignored in software mode. The CDB42L51 automatically enters hardware mode upon initial power up, or when exiting software mode, by terminating the Cirrus FlexGUI software or by disconnecting the RS-232 serial cable.

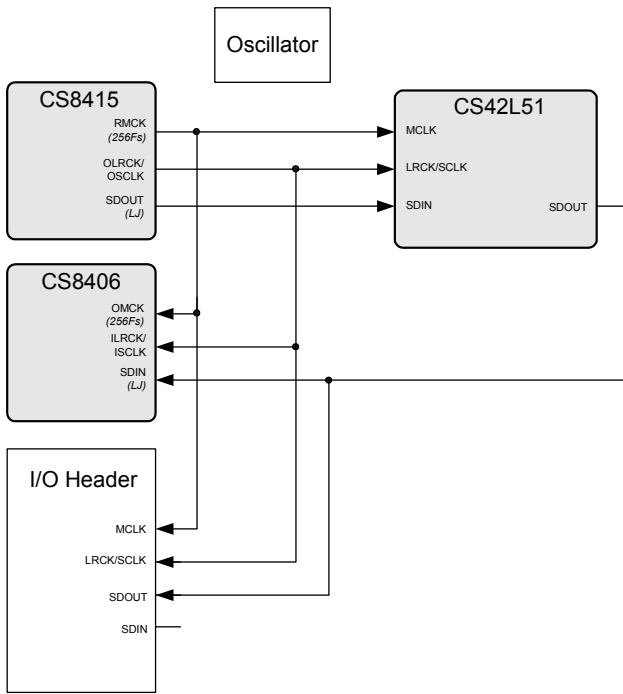
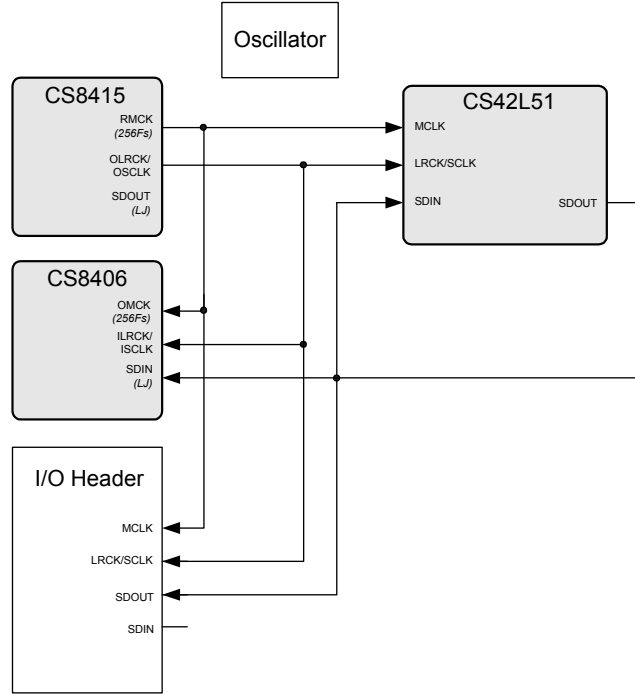
3.1 FPGA H/W Control

The “FPGA H/W Control” switch sets up the CDB in 11 pre-defined routing topologies in hardware mode. The tables and figures below describe each switch setting. The At-A-Glance Controls table provides a quick reference for all presets.

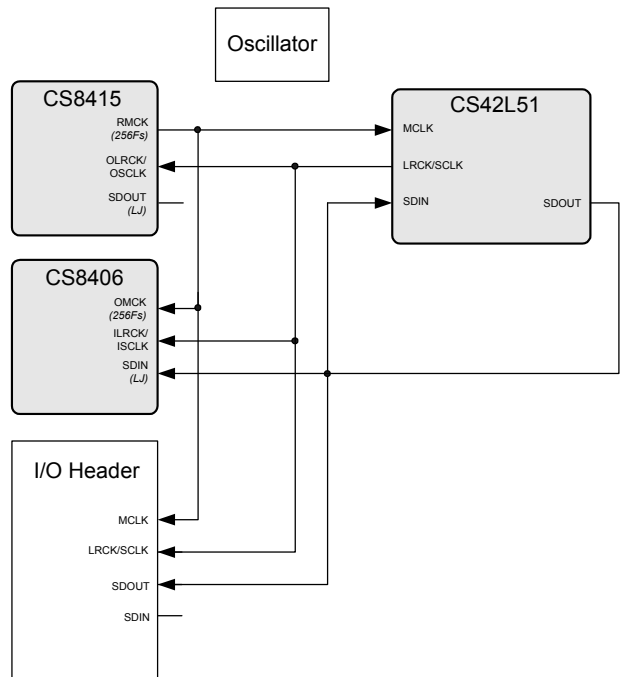
At-A-Glance Controls		
S[3:2]	S[1]	S[0]
00 - CS8415 MCLK / CS8415 clocks/data route through FPGA		
01 - I/O Header MCLK / I/O Header clocks/data route through FPGA	0 - CS42L51 Slave Routing	0 - No Loopback Routing
10 - Oscillator MCLK / I/O Header clocks/data route through FPGA	1 - CS42L51 Master Routing	1 - Loopback Routing
11 - Reserved		

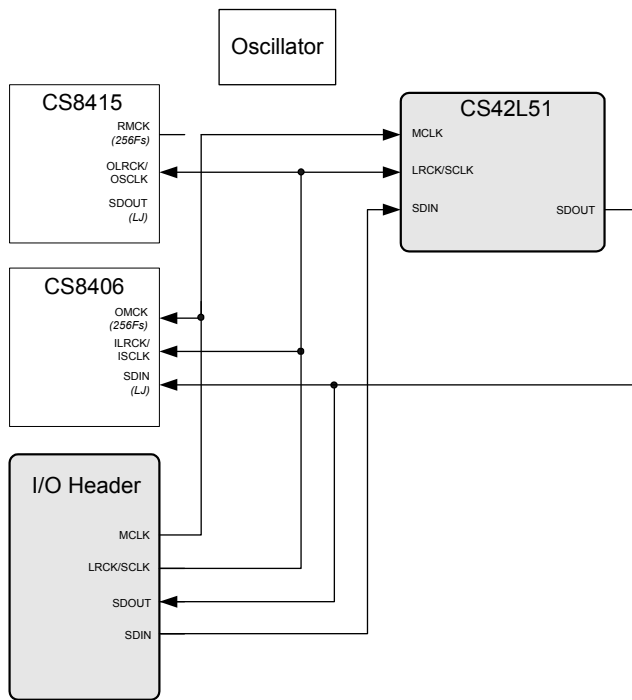
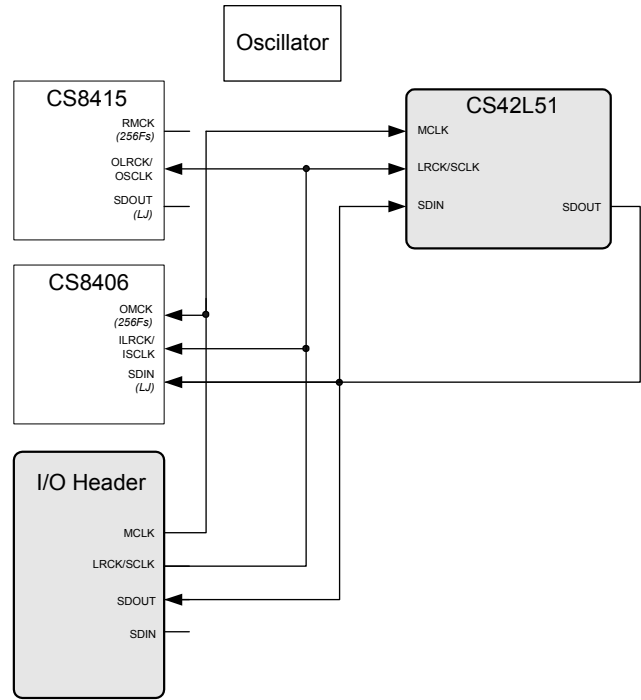
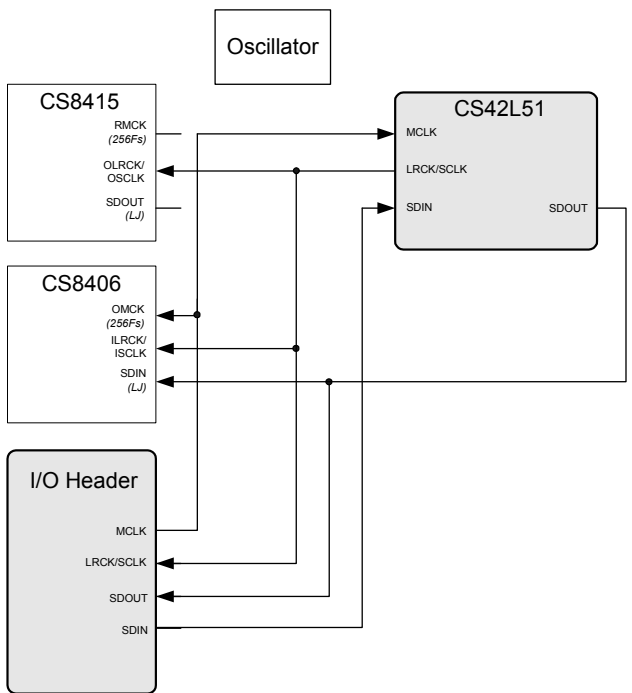
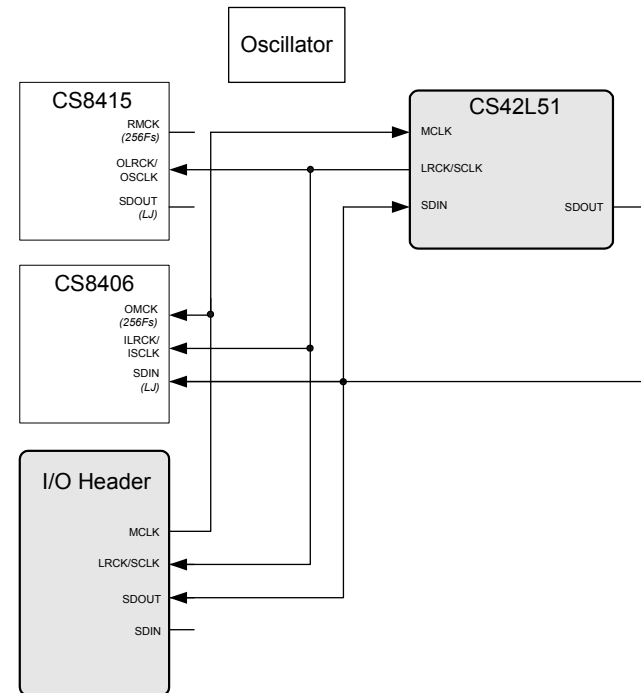
Signal Routing	S[3:0]	General Description	Detailed Description
CS8415 MCLK			
0 Figure 6	0000	CS8415 Clocks/Data	1) CS8415 masters MCLK. 2) CS8415 masters PCM clocks. 3) CS8415 data into SDIN.
1 Figure 7	0001	CS8415 Clocks, ADC Loopback	1) CS8415 masters MCLK. 2) CS8415 masters PCM clocks. 3) SDOUT into SDIN.
2	Reserved		
3 Figure 8	0011	CS42L51 Clocks, ADC Loopback	1) CS8415 masters MCLK. 2) CS42L51 masters PCM clocks. 3) SDOUT into SDIN.
I/O MCLK			
4 Figure 9	0100	I/O Clocks/Data	1) I/O masters MCLK. 2) I/O masters PCM clocks. 3) I/O data into SDIN.
5 Figure 10	0101	I/O Clocks, ADC Loopback	1) I/O masters MCLK. 2) I/O masters PCM clocks. 3) SDOUT into SDIN.
6 Figure 11	0110	CS42L51 Clocks, I/O Data	1) I/O masters MCLK. 2) CS42L51 masters PCM clocks. 3) I/O data into SDIN.
7 Figure 12	0111	CS42L51 Clocks, ADC Loopback	1) I/O masters MCLK. 2) CS42L51 masters PCM clocks. 3) SDOUT into SDIN.
Oscillator MCLK			
8 Figure 13	1000	I/O Clocks/Data	1) Oscillator masters MCLK. 2) I/O masters PCM clocks. 3) I/O data into SDIN.
9 Figure 14	1001	I/O Clocks, ADC Loopback	1) Oscillator masters MCLK. 2) I/O masters PCM clocks. 3) SDOUT into SDIN.
10 Figure 15	1010	CS42L51 Clocks, I/O Data	1) Oscillator masters MCLK. 2) CS42L51 masters PCM clocks. 3) I/O data into SDIN.
11 Figure 16	1011	CS42L51 Clocks, ADC Loopback	1) Oscillator masters MCLK. 2) CS42L51 masters PCM clocks. 3) SDOUT into SDIN.
12-15 Reserved			

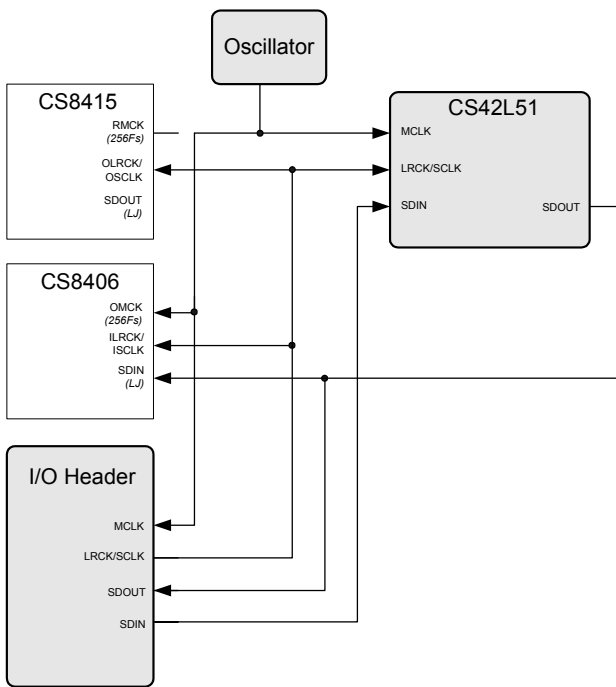
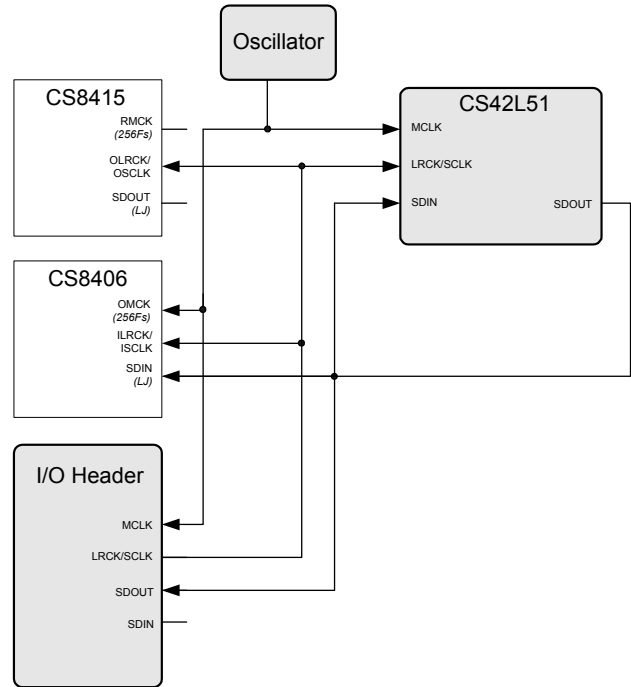
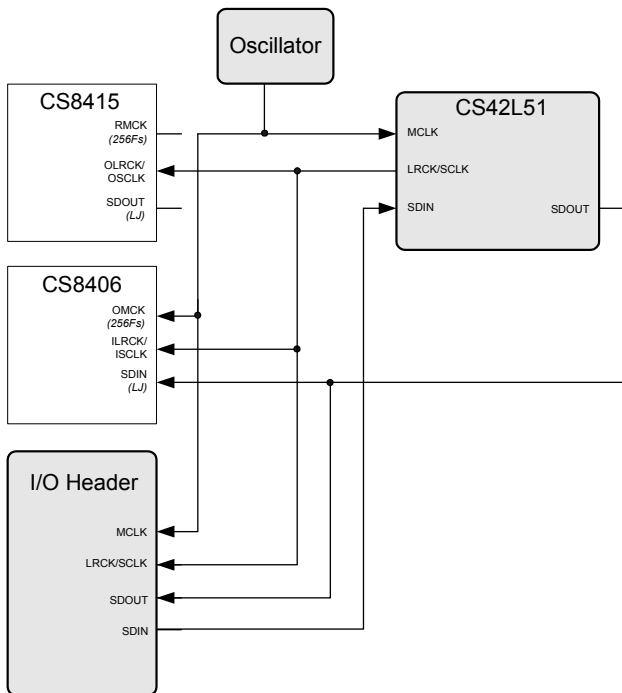
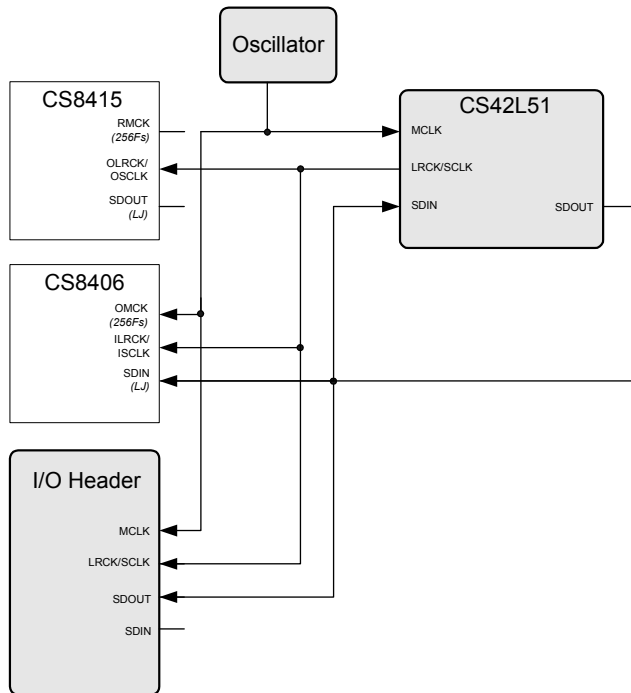
Table 1. MCLK and Clock/Data Routing Options


Figure 6. Routing 0

Figure 7. Routing 1

Routing 2 - Reserved


Figure 8. Routing 3


Figure 9. Routing 4

Figure 10. Routing 5

Figure 11. Routing 6

Figure 12. Routing 7


Figure 13. Routing 8

Figure 14. Routing 9

Figure 15. Routing 10

Figure 16. Routing 11

3.2 CS42L51 H/W Control

The stand-alone “CS42L51 H/W Control” switch controls the Hardware Mode options of the CS42L51. A description of each switch is outlined in the following table:

Switch	Position	Function
M \bar{S}	LO	LRCK and SCLK are inputs to CS42L51
	HI	LRCK and SCLK are outputs to CS42L51
MCLKDIV2	LO	Internal MCLK to CS42L51 not divided
	HI	Internal MCLK to CS42L51 divided by 2
I2S/L \bar{J}	LO	CS42L51 Interface Format: Left-Justified
	HI	CS42L51 Interface Format: I ² S
DE-EMPHASIS	LO	No internal De-emphasis applied to CS42L51
	HI	44.1 kHz internal De-emphasis applied to CS42L51

Table 2. CS42L51 H/W Mode Control

4. SYSTEM CONNECTIONS AND JUMPERS

CONNECTOR	REF	INPUT/OUTPUT	SIGNAL PRESENT
+5V	J26	Input	+5.0 V Power Supply.
GND	J27	Input	Ground Reference .
RS232	J95	Input/Output	Serial connection to PC for SPI / I ² C control port signals.
USB	J94	Input/Output	USB connection to PC for SPI / I ² C control port signals. Not Available.
SPDIF OPTICAL OUT	OPT2	Output	CS8406 digital audio output via optical cable.
SPDIF COAX OUT	J68	Output	CS8406 digital audio output via coaxial cable.
SPDIF OPTICAL IN	OPT1	Input	CS8415 digital audio input via optical cable.
SPDIF COAX IN	J61	Input	CS8415 digital audio input via coaxial cable.
I/O Header	J5	Input/Output	I/O for Clocks & Data.
S/W CONTROL	J109	Input/Output	I/O for external SPI / I ² C control port signals.
MICRO JTAG	J110	Input/Output	I/O for programming the micro controller (U84).
FPGA JTAG	J78	Input/Output	I/O for programming the FPGA (U14).
MICRO RESET	S4	Input	Reset for the micro controller (U84).
FPGA PROGRAM	S2	Input	Reload Xilinx Flash program into the FPGA (U14).
H/W BOARD RESET	S1	Input	Reset for the CS42L51 (U1).
LINEB LINEA	J62 J7	Input	RCA phono jacks for analog input signal to CS42L51.
MIC1 MIC2	J35 J51	Input	Microphone jacks for analog input signal to CS42L51.
LEFT RIGHT	J19 J20	Output	RCA phono jacks for analog outputs.
SPEAKER + SPEAKER -	J72 J73	Output	Binding Post connected to LM4889 speaker driver for analog outputs.
Headphone Jack	J11	Output	Headphone jack for analog outputs.

Table 3. System Connections

JMP	LABEL	PURPOSE	POSITION	FUNCTION SELECTED
J31	VL	Selects source of voltage for the VL supply	*+1.8V	Voltage source is +1.8 V regulator.
			+2.5V	Voltage source is +2.5 V regulator.
			+3.3V	Voltage source is +3.3 V regulator.
J36	VA_HP	Selects source of voltage for the VA_HP supply	*+1.8V	Voltage source is +1.8 V regulator.
			+2.5V	Voltage source is +2.5 V regulator. .
J25	VA	Selects source of voltage for the VA supply	*+1.8V	Voltage source is +1.8 V regulator.
			+2.5V	Voltage source is +2.5 V regulator. .
J28	VD	Selects source of voltage for the VD supply	*+1.8V	Voltage source is +1.8 V regulator.
			+2.5V	Voltage source is +2.5 V regulator. .
J52 J48 J47 J53	VL +VA_HP VA VD	Current Measurement	*SHUNTED	1 Ω series resistor is shorted.
			OPEN	1 Ω series resistor in power supply path.
J2	LINEB MUX	Selects signal source for the ADC I/O	(AIN3B Select)	LINEB signal routed to jumper J8.
			(AIN2B Select)	LINEB signal routed to jumper J3.
			*AIN1B	LINEB signal routed to AIN1B of ADC.
J1	LINEA MUX	Selects signal source for the ADC I/O	(AIN3A Select)	LINEA signal routed to jumper J14.
			AIN2A	LINEA signal routed to AIN2A of ADC.
			*AIN1A	LINEA signal routed to AIN1A of ADC.
J3	(AIN2B Select)	Selects signal source for MIC1 and MIC2 bias or signal source for the ADC input	BIAS1 to MIC2	Bias on AIN2B of ADC routed to jumper J12.
			BIAS1 to MIC1	Bias on AIN2B of ADC routed to MIC1.
			*LINEB	LINEB MUX routed to AIN2B of ADC.
J8	(AIN3B Select)	Selects signal source for MIC2 bias or signal source for the ADC input	BIAS2 to MIC2	Bias on AIN3B of ADC routed to jumper J12.
			MIC2	MIC2 signal routed to AIN3B of ADC.
			*LINEB	LINEB MUX routed to AIN3B of ADC.
J14	(AIN3A Select)	Selects signal source for the ADC input	MIC2	MIC2 signal routed to AIN3A of ADC.
			MIC1	MIC1 signal routed to AIN3A of ADC.
			*LINEA	LINEA MUX routed to AIN3A of ADC.
J12	MIC2 Bias	Selects bias for MIC2	BIAS1	J3 (for Bias on AIN2B of ADC) routed to MIC2.
			BIAS2	J8 (for Bias on AIN3B of ADC) routed to MIC2.
			*Not connected	Jumper placed on pin 2.
J6	Left Channel	Selects between filtered and non-filtered output	*AOUTA	Connects AOUTA of part directly to LEFT RCA jack.
			AOUTA (LPF)	Connects low-pass filtered AOUTA to LEFT RCA jack. .
J4	Right Channel	Selects between filtered and non-filtered output	*AOUTB	Connects AOUTB of part directly to RIGHT RCA jack.
			AOUTB (LPF)	Connects lowpass filtered AOUTA to RIGHT RCA jack. .
J10	16 ohm HP LOAD	Load Simulation	SHUNTED	16 Ω resistor shunted from AOUTA to GND.
			*Not connected	Jumper placed on pin 1.
J13	16 ohm HP LOAD	Load Simulation	SHUNTED	16 Ω resistor shunted from AOUTB to GND.
			*Not connected	Jumper placed on pin 1.

*Default factory settings

Table 4. Jumper Settings

5. CDB42L51 BLOCK DIAGRAM

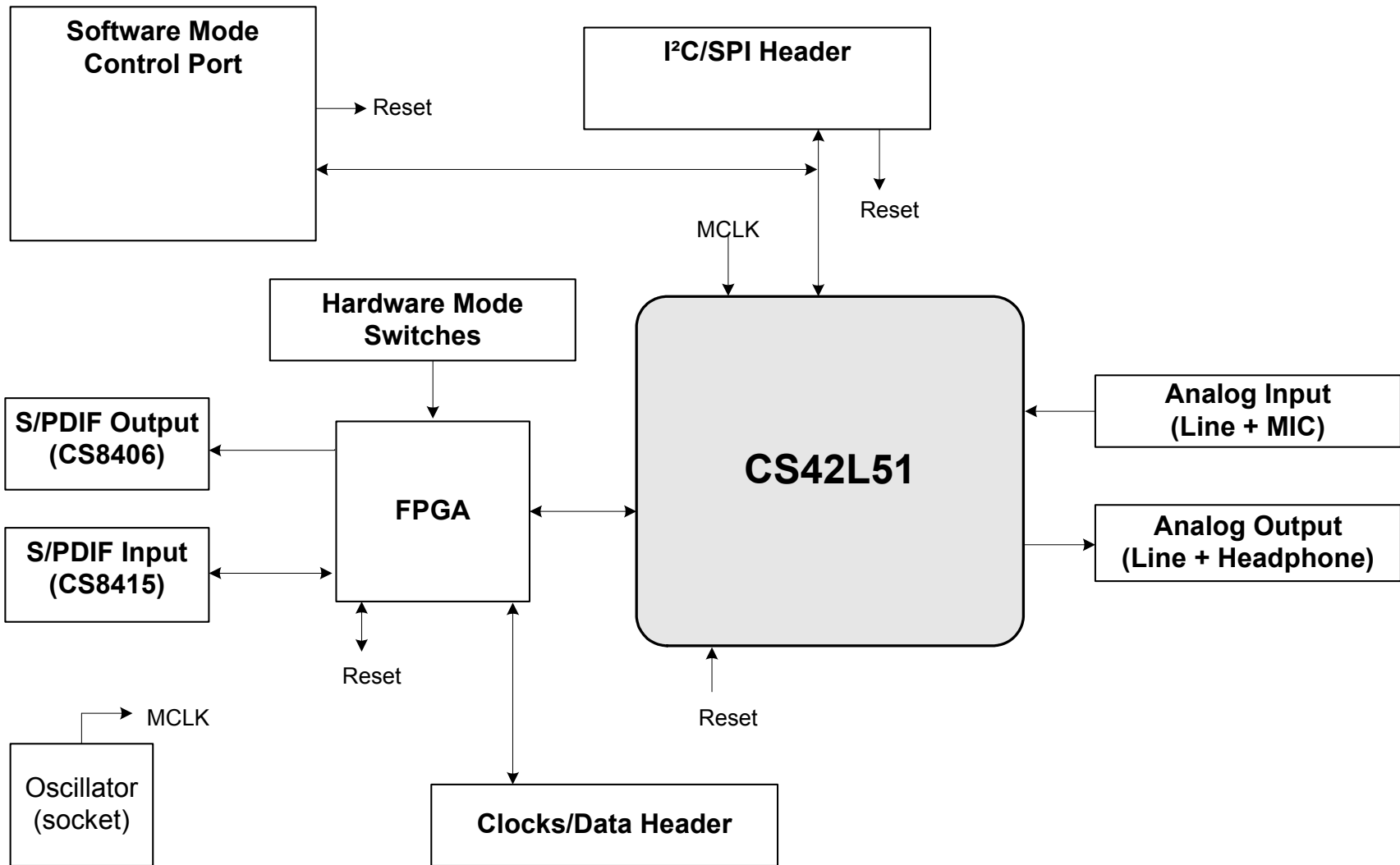


Figure 17. Block Diagram

6. CDB42L51 SCHEMATICS

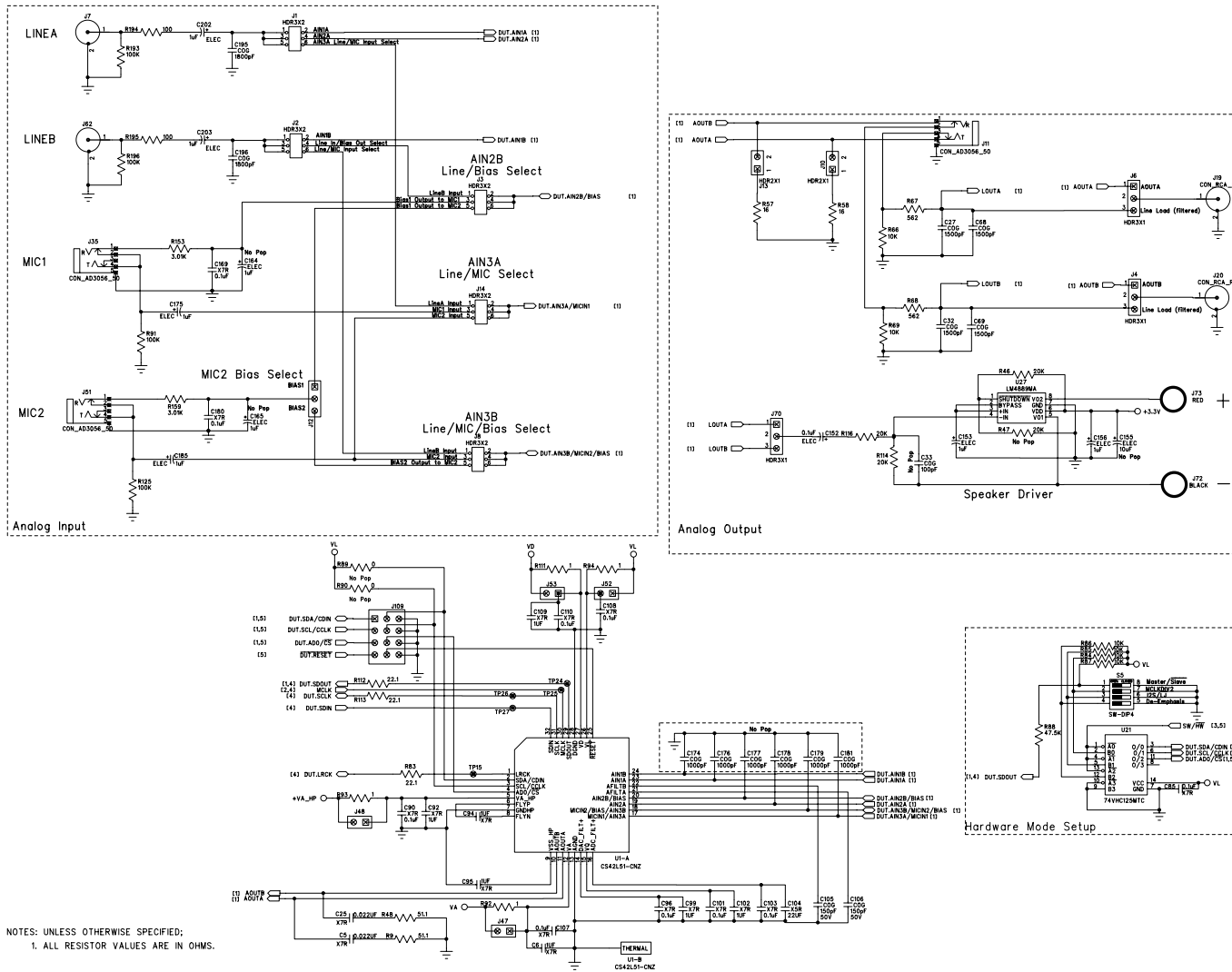
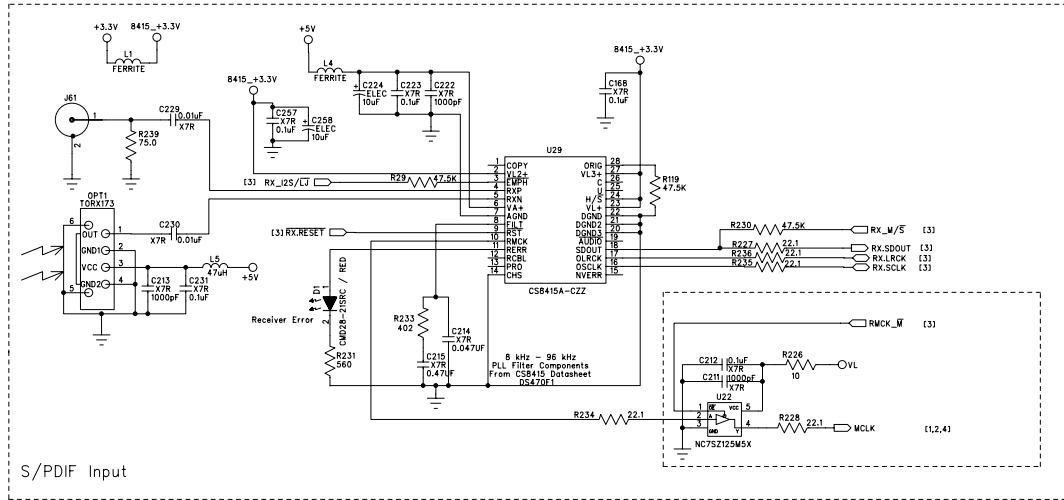
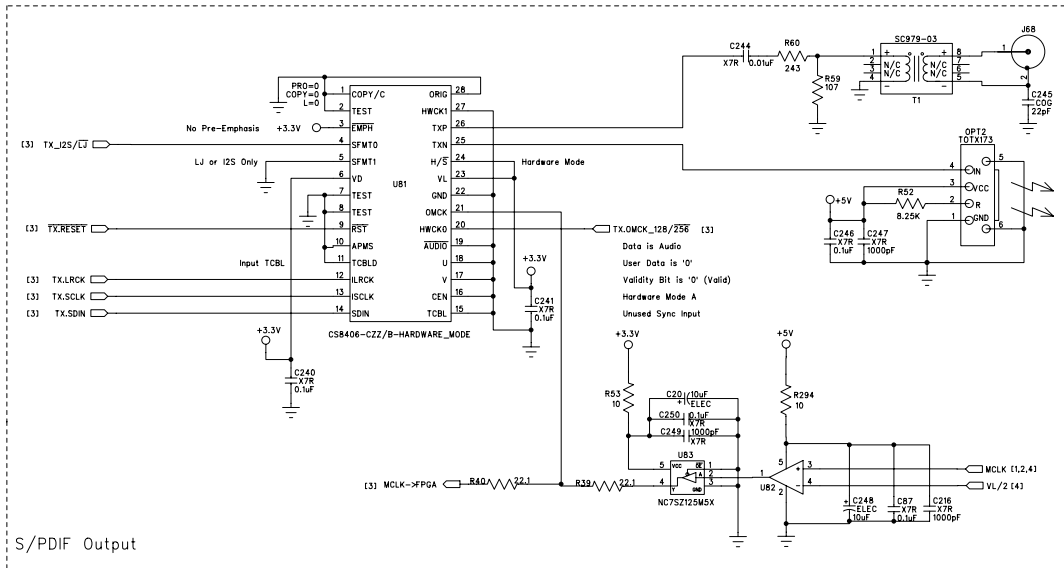


Figure 18. CS42L51 and Analog I/O (Schematic Sheet 1)





S/PDIF Input



S/PDIF Output

Figure 19. S/PDIF I/O (Schematic Sheet 2)



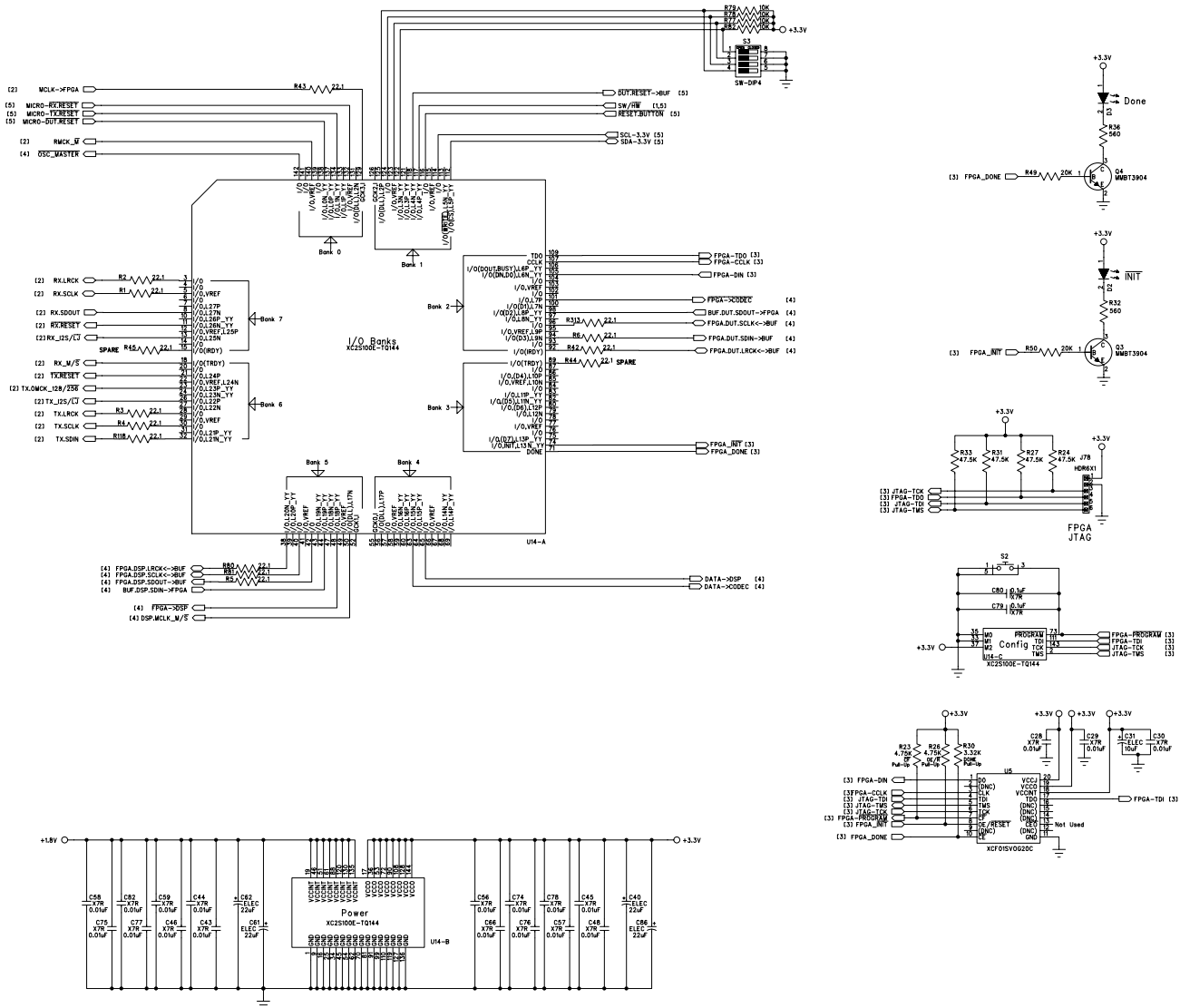
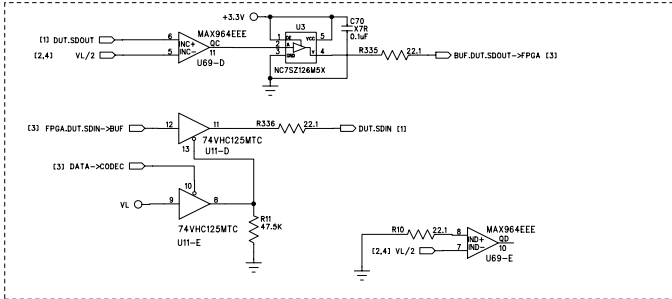


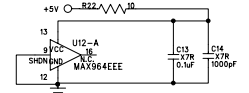
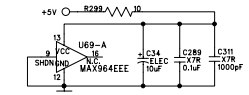
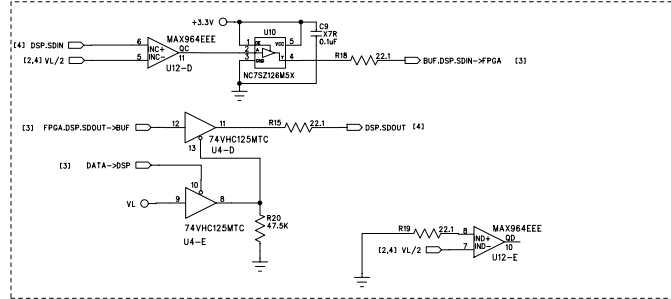
Figure 20. FPGA (Schematic Sheet 3)



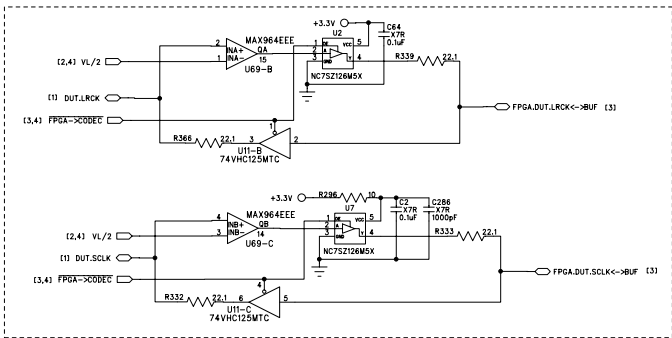
CODEC Data Buffers



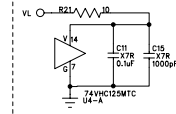
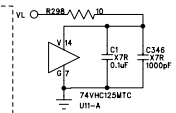
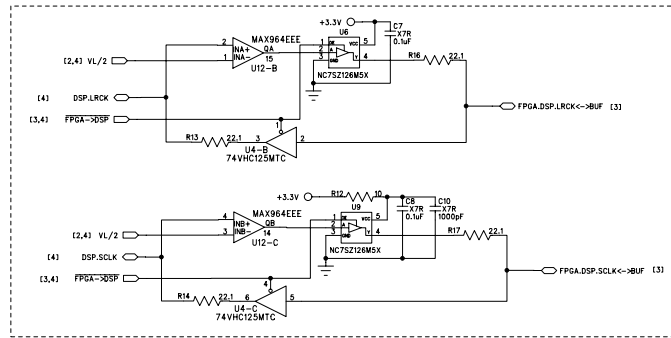
Header Data Buffers



CODEC Bidirectional Clock Buffers



Header Bidirectional Clock Buffers



MCLK Buffer

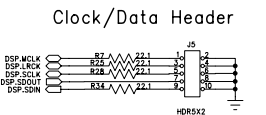
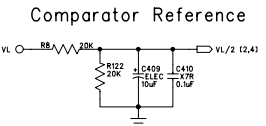
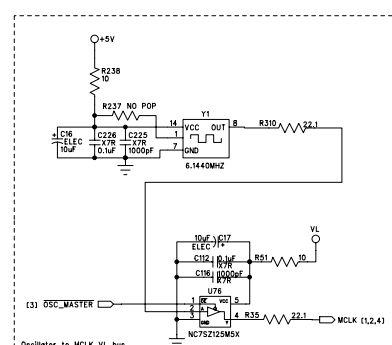
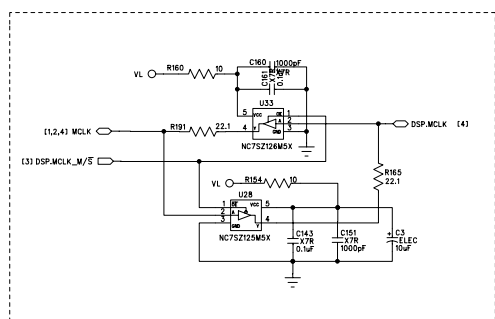


Figure 21. Level Shifters & I/O Stake Header (Schematic Sheet 4)



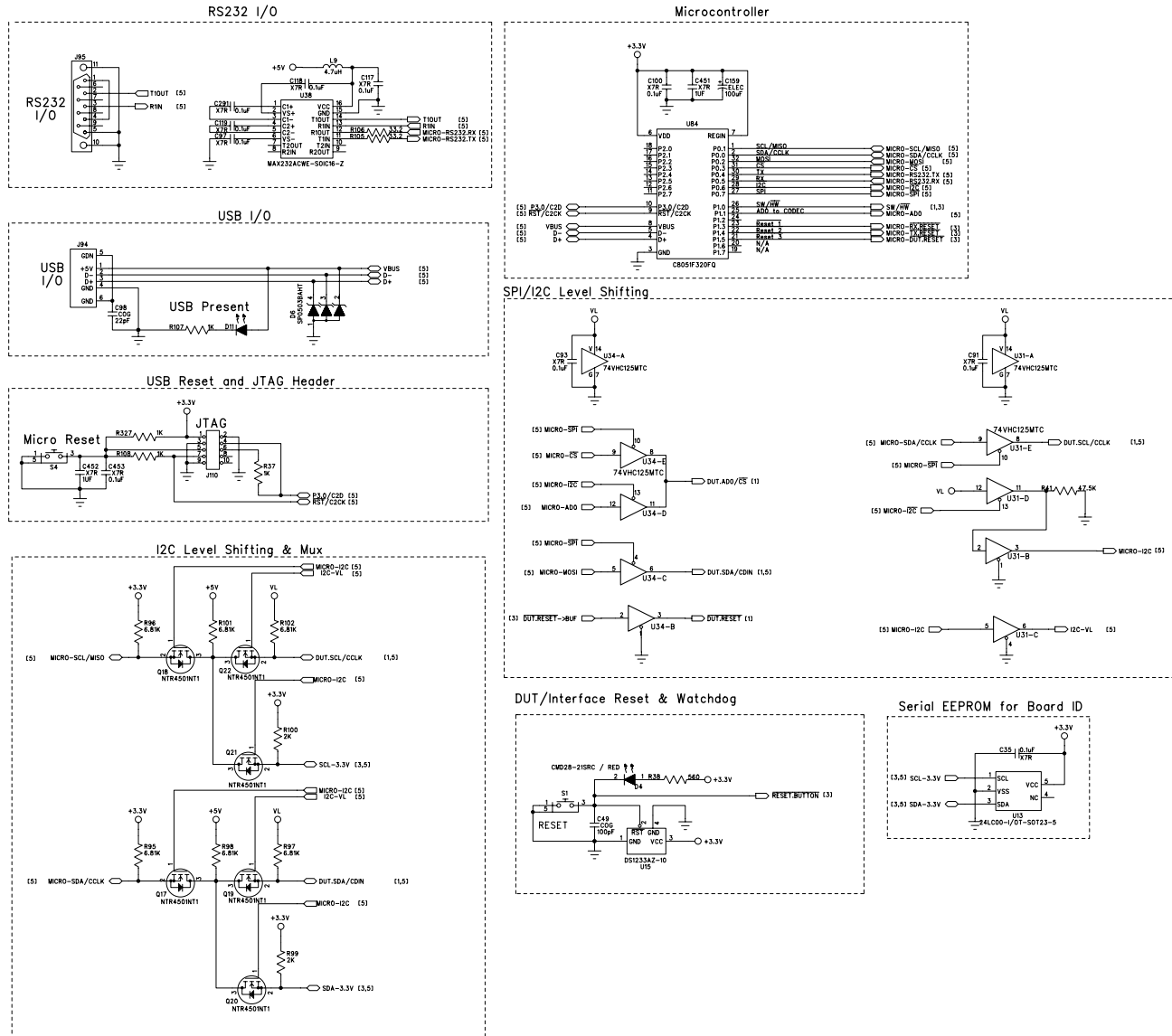
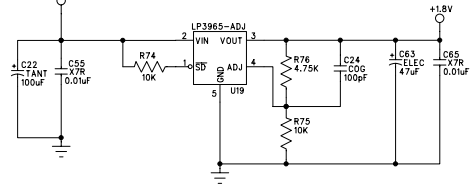
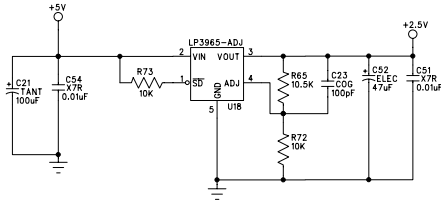
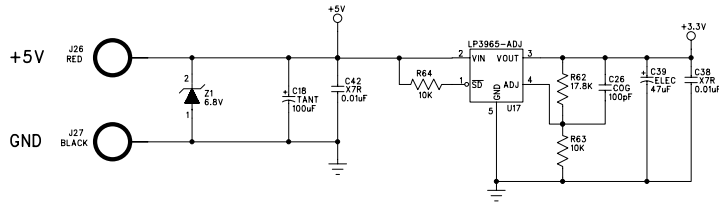
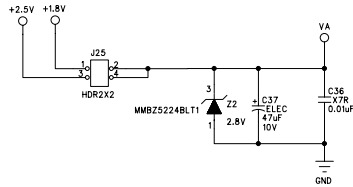


Figure 22. Control Port I/O (Schematic Sheet 5)

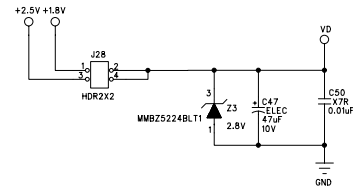




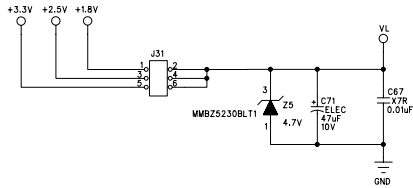
VA
+1.8V to +2.5V



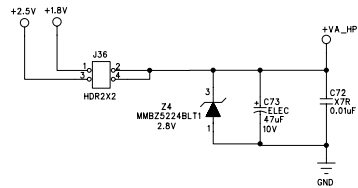
VD
+1.8V to +2.5V



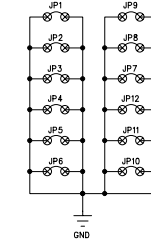
VL
+1.8V to +3.3V



VA_HP
+1.8V to +2.5V



Ground
Test Points



RELATED DOCUMENTS AND AUXILIARY HARDWARE;

STANDOFFS

- ⊗ MH1
- ⊗ MH2
- ⊗ MH3
- ⊗ MH4
- ⊗ MH5
- ⊗ MH6
- ⊗ MH7

SCH DWG- 600-00195-01
 ECB DWG- 240-00195-Z1
 ASSY DWG- 603-00195-01
 WIRE BINDING POST L-1.5X.25TX.251_TYPE_E_
 SCREW-PHILIPS-4-40THR-PH-5/16-L.PMS 440 0031 PH
 SOCKET 1P- 8134-HC-5P2
 SHUNT_2P- 15-29-1025

- ⊗ FD1 FLOCAL1
- ⊗ FD2 FLOCAL1
- ⊗ FD3 FLOCAL1
- ⊗ FD4 FLOCAL1
- ⊗ FD5 FLOCAL1
- ⊗ FD6 FLOCAL1

Figure 23. Power (Schematic Sheet 6)



7. CDB42L51 LAYOUT

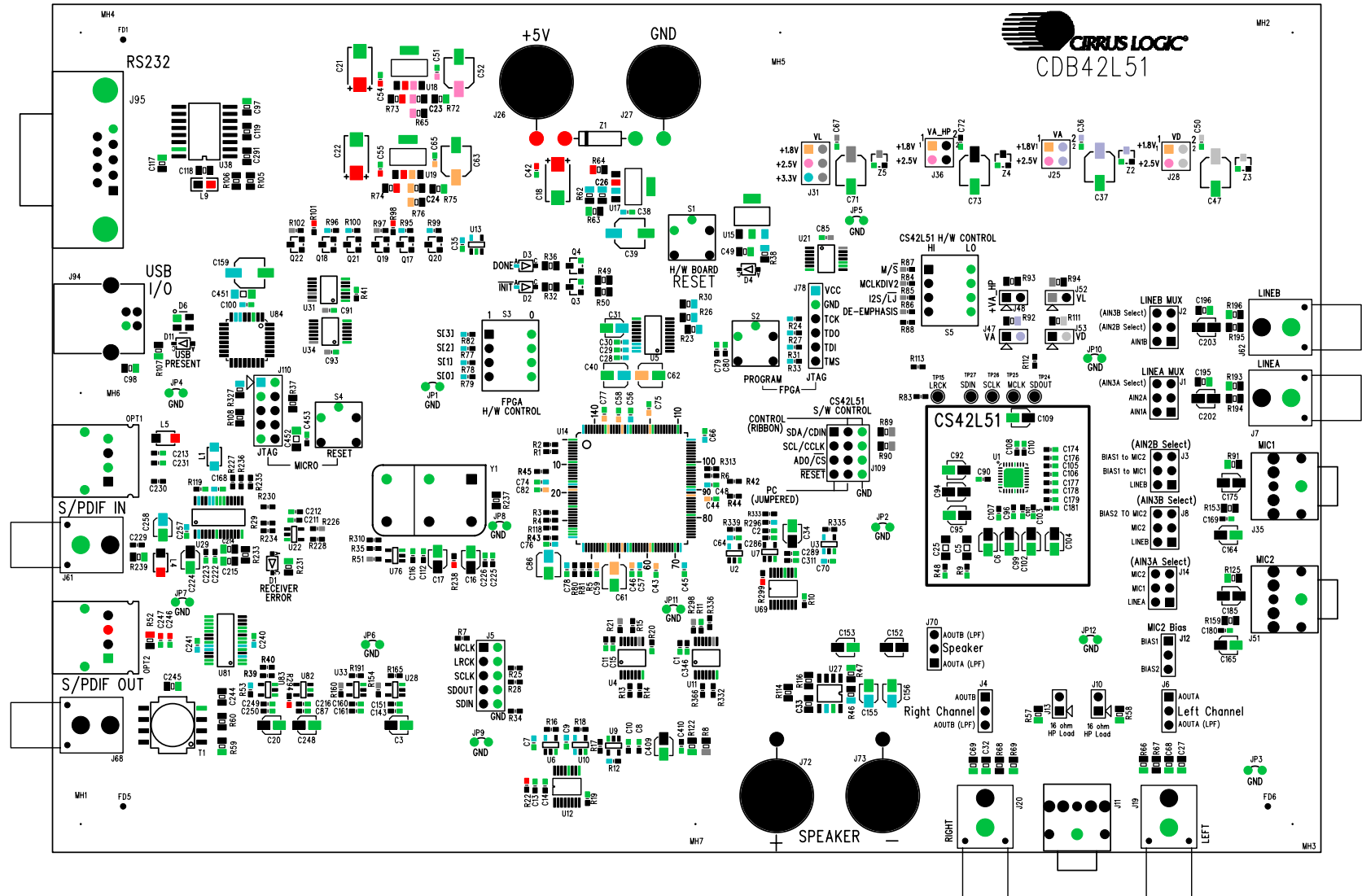


Figure 24. Silk Screen



CIRRUS LOGIC

CDB42L51



CIRUS LOGIC®

CDB42L51

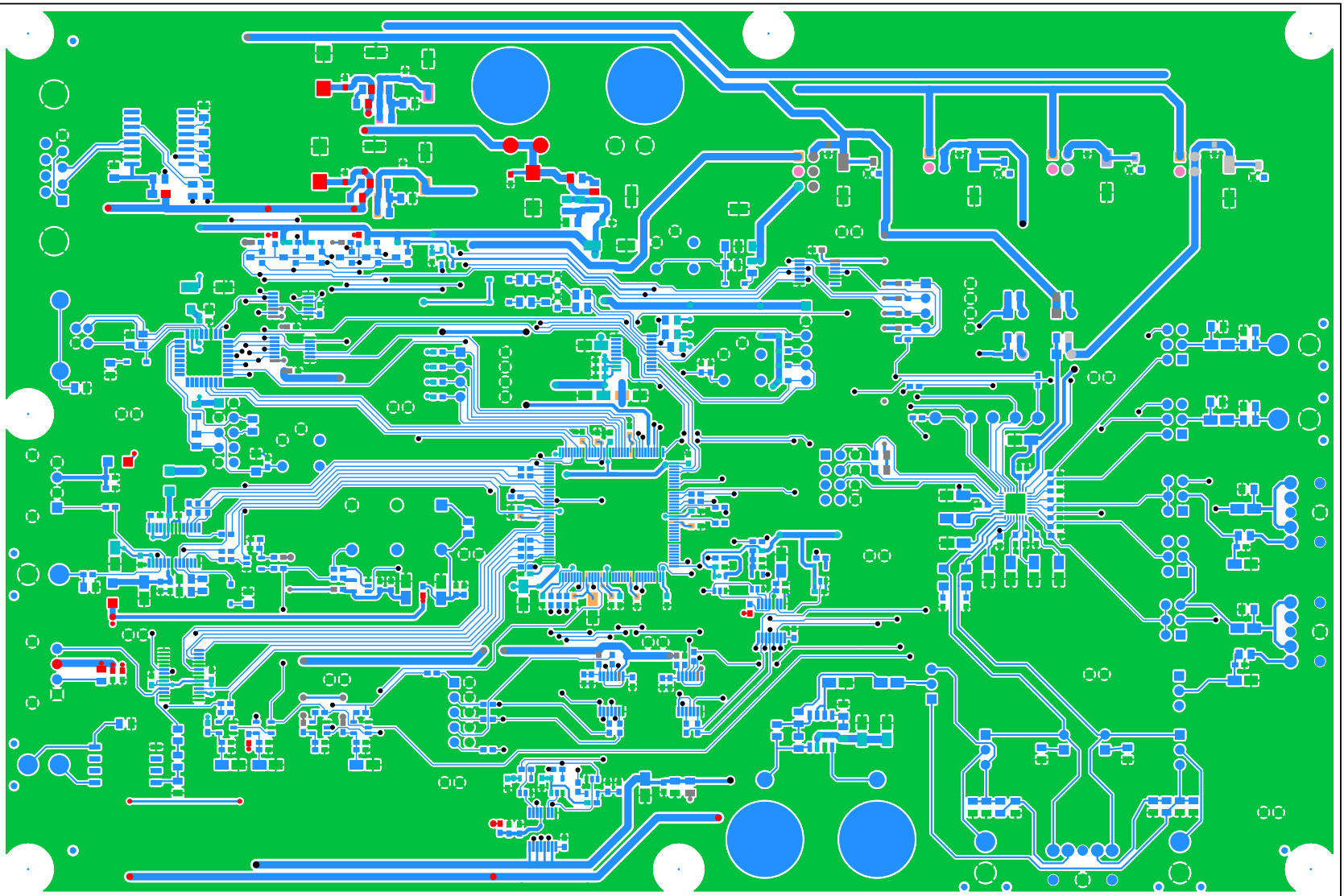


Figure 25. Top-Side Layer

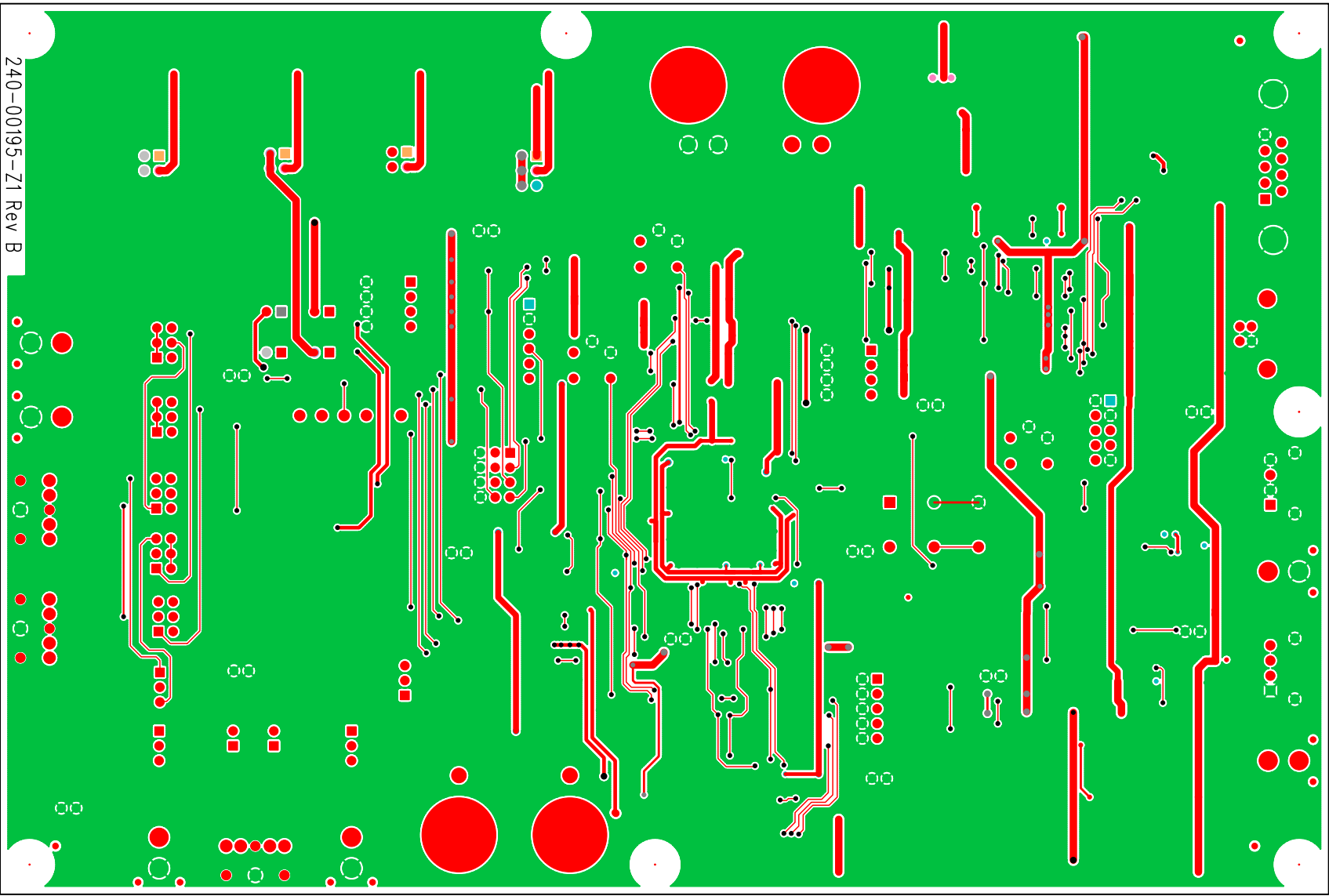


Figure 26. Bottom-Side Layer

8. ERRATA

Although the CS42L51 does support VL power supply levels of both +1.8 V and +2.5 V, these levels are not supported by the CDB42L51. Accordingly, header J31 (VL) must be set to +3.3 V to ensure correct board operation. It should be noted that this restriction is due only to the hardware design of the CDB42L51. The CS42L51's allowed voltage levels are specified in the CS42L51 data sheet.

9. REVISION HISTORY

Revision	Date	Changes
DB1	June 2005	Initial Release
DB2	October 2007	Added Section 8. "Errata" . Updated Section 6. "CDB42L51 Schematics" to show latest board revision. Updated Section 7. "CDB42L51 Layout" to show latest board revision.

Contacting Cirrus Logic Support

For all product questions and inquiries, contact a Cirrus Logic Sales Representative.

To find the one nearest you, go to www.cirrus.com.

IMPORTANT NOTICE

Cirrus Logic, Inc. and its subsidiaries ("Cirrus") believe that the information contained in this document is accurate and reliable. However, the information is subject to change without notice and is provided "AS IS" without warranty of any kind (express or implied). Customers are advised to obtain the latest version of relevant information to verify, before placing orders, that information being relied on is current and complete. All products are sold subject to the terms and conditions of sale supplied at the time of order acknowledgment, including those pertaining to warranty, indemnification, and limitation of liability. No responsibility is assumed by Cirrus for the use of this information, including use of this information as the basis for manufacture or sale of any items, or for infringement of patents or other rights of third parties. This document is the property of Cirrus and by furnishing this information, Cirrus grants no license, express or implied under any patents, mask work rights, copyrights, trademarks, trade secrets or other intellectual property rights. Cirrus owns the copyrights associated with the information contained herein and gives consent for copies to be made of the information only for use within your organization with respect to Cirrus integrated circuits or other products of Cirrus. This consent does not extend to other copying such as copying for general distribution, advertising or promotional purposes, or for creating any work for resale.

CERTAIN APPLICATIONS USING SEMICONDUCTOR PRODUCTS MAY INVOLVE POTENTIAL RISKS OF DEATH, PERSONAL INJURY, OR SEVERE PROPERTY OR ENVIRONMENTAL DAMAGE ("CRITICAL APPLICATIONS"). CIRRUS PRODUCTS ARE NOT DESIGNED, AUTHORIZED OR WARRANTED FOR USE IN AIRCRAFT SYSTEMS, MILITARY APPLICATIONS, PRODUCTS SURGICALLY IMPLANTED INTO THE BODY, AUTOMOTIVE SAFETY OR SECURITY DEVICES, LIFE SUPPORT PRODUCTS OR OTHER CRITICAL APPLICATIONS. INCLUSION OF CIRRUS PRODUCTS IN SUCH APPLICATIONS IS UNDERSTOOD TO BE FULLY AT THE CUSTOMER'S RISK AND CIRRUS DISCLAIMS AND MAKES NO WARRANTY, EXPRESS, STATUTORY OR IMPLIED, INCLUDING THE IMPLIED WARRANTIES OF MERCHANTABILITY AND FITNESS FOR PARTICULAR PURPOSE, WITH REGARD TO ANY CIRRUS PRODUCT THAT IS USED IN SUCH A MANNER. IF THE CUSTOMER OR CUSTOMER'S CUSTOMER USES OR PERMITS THE USE OF CIRRUS PRODUCTS IN CRITICAL APPLICATIONS, CUSTOMER AGREES, BY SUCH USE, TO FULLY INDEMNIFY CIRRUS, ITS OFFICERS, DIRECTORS, EMPLOYEES, DISTRIBUTORS AND OTHER AGENTS FROM ANY AND ALL LIABILITY, INCLUDING ATTORNEYS' FEES AND COSTS, THAT MAY RESULT FROM OR ARISE IN CONNECTION WITH THESE USES.

Cirrus Logic, Cirrus, and the Cirrus Logic logo designs are trademarks of Cirrus Logic, Inc. All other brand and product names in this document may be trademarks or service marks of their respective owners.

I²C is a registered trademark of Philips Semiconductor.

SPI is a trademark of Motorola, Inc.

Microsoft and Windows are registered trademarks of Microsoft Corporation.