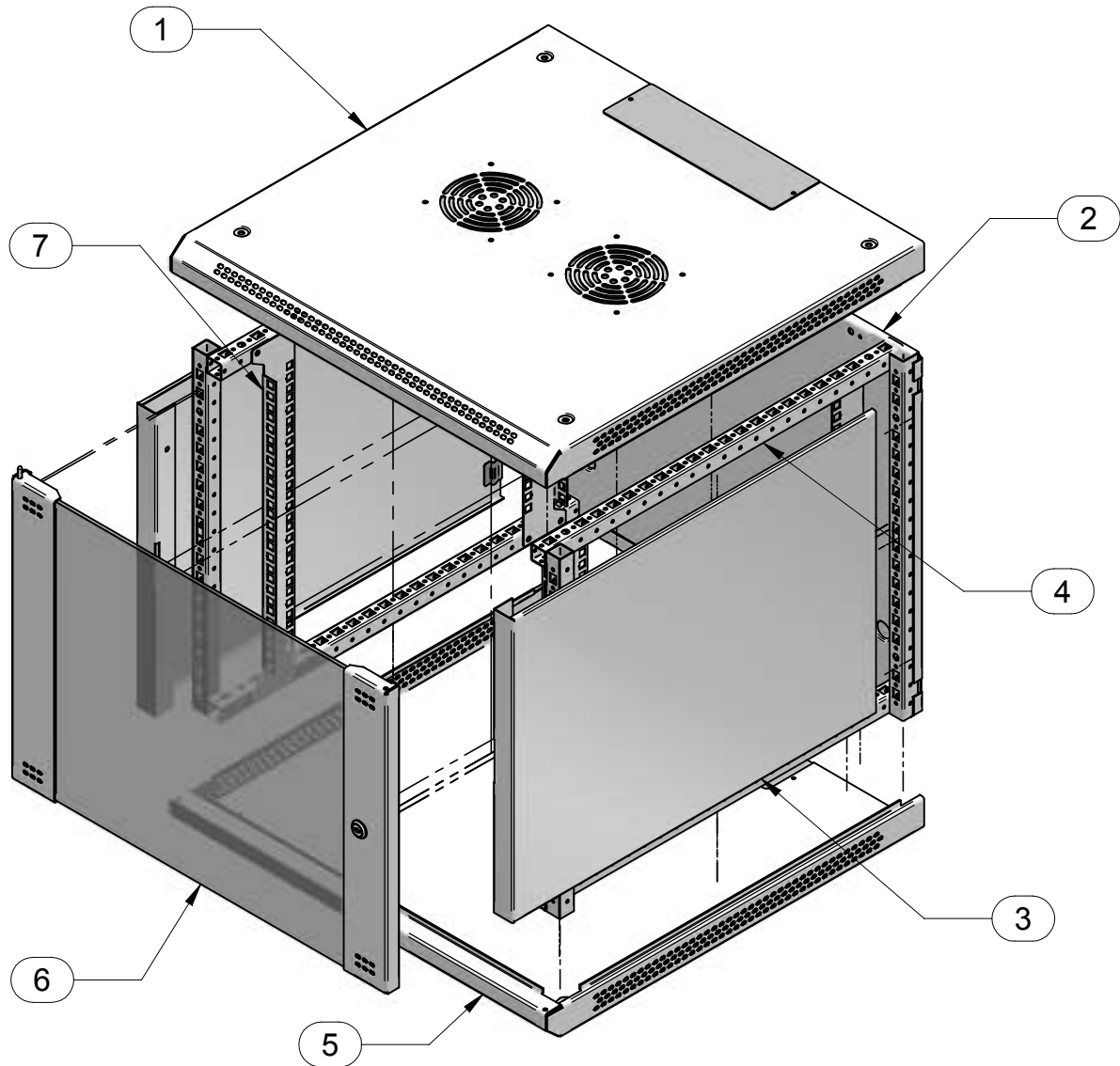


WMC - SERIES

ASSEMBLY INSTRUCTIONS FOR WMC WALLMOUNT CABINET

BUL10381
REV. A
PAGE 1 OF 3



PARTS LIST

ITEM No.	DESCRIPTION	QTY
1	TOP COVER	1
2	REAR PANEL	1
3	SIDE PANEL	2
4	SIDE FRAME	2
5	BOTTOM COVER	1
6	TEMPERED GLASS DOOR	1
7	MOUNTING RAIL	4
8	SCREW - M5 X 10 mm	20
9	SCREW - M6 X 10 mm w/ cup washer	8
10	DOOR PIN	1
11	CAGE NUTS/SCREWS	BAG

TOOL BOX



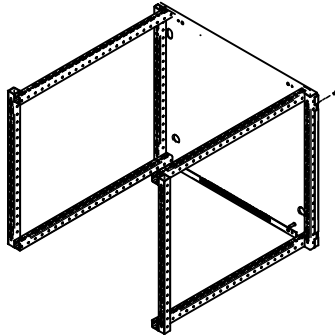
Slot Head
Screw Driver



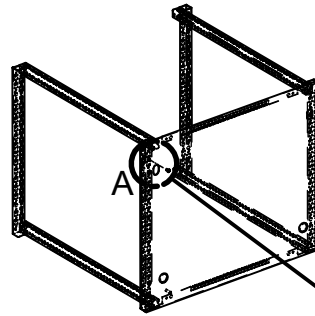
**HAMMOND
MANUFACTURING™**
ELECTRONICS GROUP

visit our website @ www.hammondmfg.com

STEP 1:

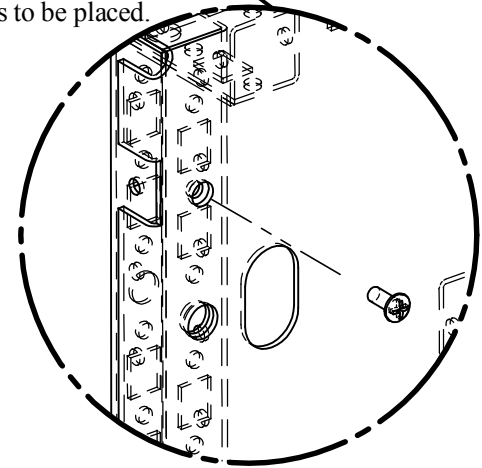
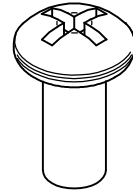


Install side frame (Item 4) to the rear panel (Item 2) as shown. Place four M5 X 10 mm screws in the appropriate slots.



Detail A view showing location of M5 X 10 mm screws to be placed.

M5 X 10 mm

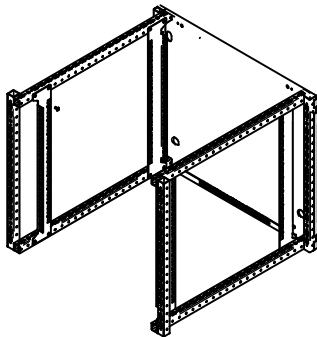


DETAIL A

AT THIS POINT YOU HAVE 2 OPTIONS:

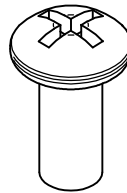
1. Mount product to the wall now and proceed with the assembly steps.
2. Finish assembling product then mount to the wall per BUL10380

STEP 2:

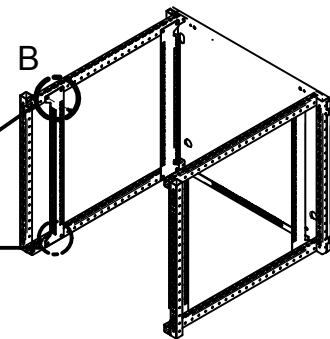


Install mounting rails (Item 7) on the side frame (Item 4) at desired location. Place four M5 X 10 mm (Item 8) screws on each mounting rail.

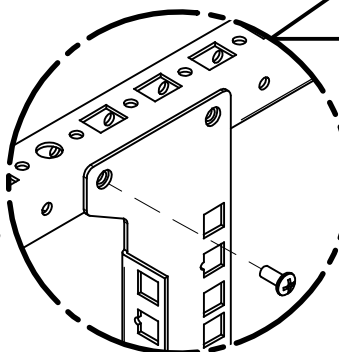
M5 X 10 mm



B



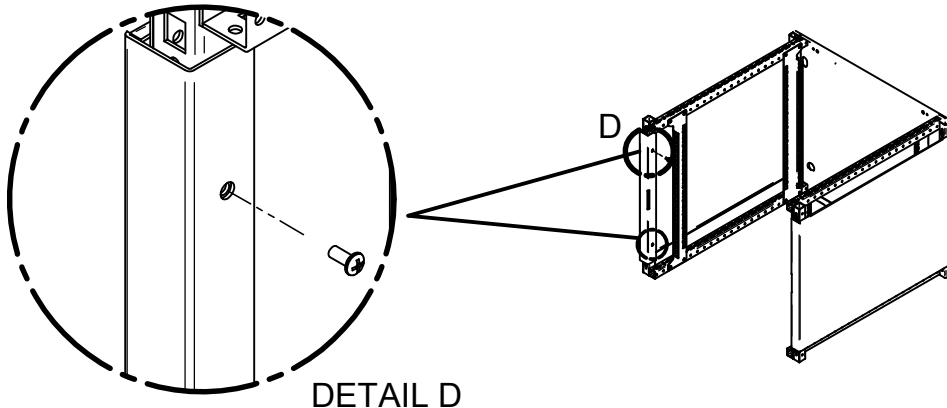
Detail B view showing location of M5 X 10 mm to be placed.



DETAIL B

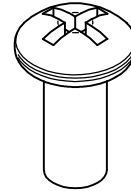


STEP 3:

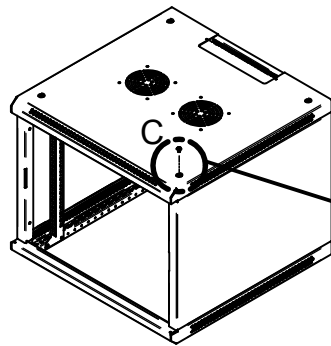


Install side panel (Item 3) by sliding onto the side frame (Item 4) from the front. Place two M5 X 10 mm screws on each side panel as shown in detail view.

M5 X 10 mm

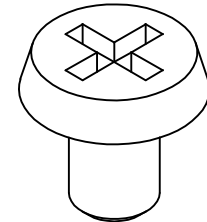


STEP 4:

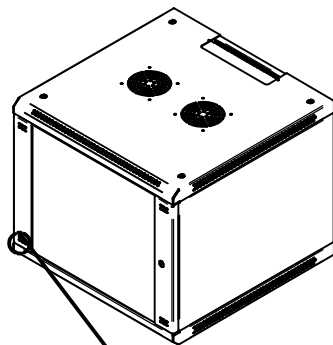


Install top cover (Item 1) and bottom cover (Item 5) on the cabinet as shown. Place four M6 X 10 mm screws in top slot locations and four in the bottom slot locations.

M6 X 10 mm



STEP 5:



DETAIL C

Install tempered glass door (Item 6) on the cabinet. Place door pin (Item 10) in the bottom corner of the tempered glass door and insert it into the left or right side of the bottom cover slot. Pull the spring down (located on the top corner of the tempered glass door) and hold until it falls into the proper slot.

(Space washers may be required to be placed on the door pin for adjusting the tempered glass door height)

Door pin (Item 10)

