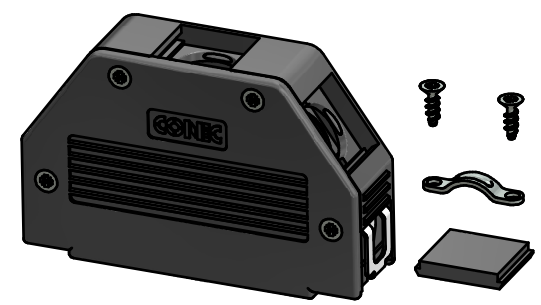
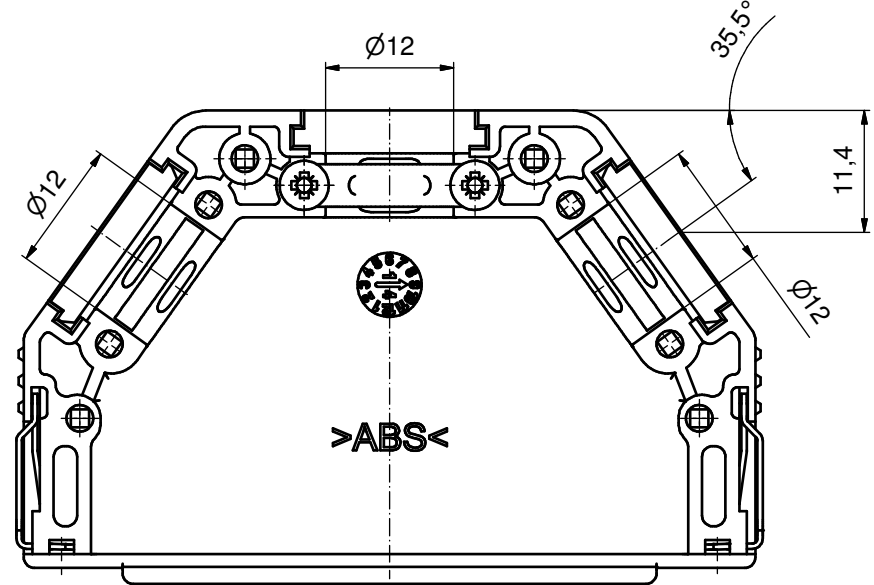
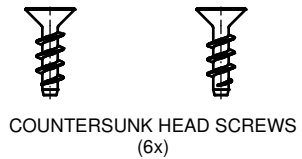


view without cover



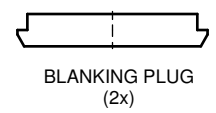
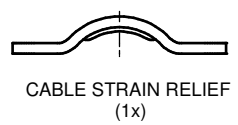
HOOD ASSEMBLY CONSISTS OF:

- (b) 1. HOOD + COVER: ABS UL 94 V-0; BLACK
- 2. BLANKING PLUGS: ABS UL 94 V-0; BLACK
- 3. CABLE STRAIN RELIEF: STEEL; NICKEL PLATED
- 4. CLIP: STAINLESS STEEL
- 5. COUNTERSUNK HEAD SCREWS: STEEL; NICKEL PLATED



(c)	Part-No.	Part-No.
	Bulk package	Single package
	16-001850	16-001850E

RoHS compliant



THIS DRAWING MAY NOT BE COPIED OR REPRODUCED IN ANY WAY, AND MAY NOT BE PASSED ON TO A THIRD PARTY WITHOUT WRITTEN PERMISSION. OWNERSHIP AND COPYRIGHT OF CONEC GmbH DO NOT ALTER CAD DRAWING BY HAND	finish:		tolerance		dim. in mm	scale:		2:1 (1:1)			
	see table					material:		see drawing			
					date	name	title:				
					drawn	12.11.12	Strakerjahn	Plastic Hood 50pos with Snap Lock / top and two sides cable exit			
					appd.	06.05.14	Koch				
					norm			dwg no:		DIN-A3	
2 x c	Ä5619	22.04.15	K.H.	d-old	SK0823Y15		16K1A3137		sh: 1		
3 x b	Ä5357	25.09.14	K.H.	CONEC [®]		part no: (c) (b) SEE TABLE					
a	Original										
rev.	description	date	name								