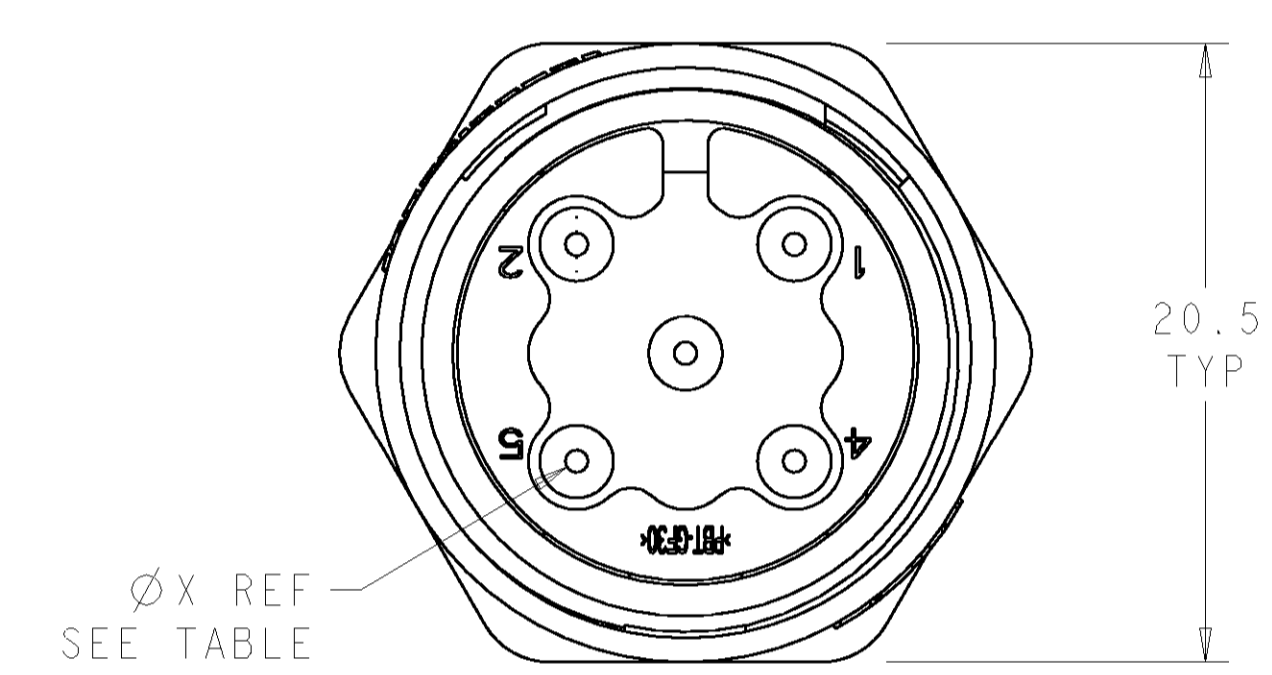
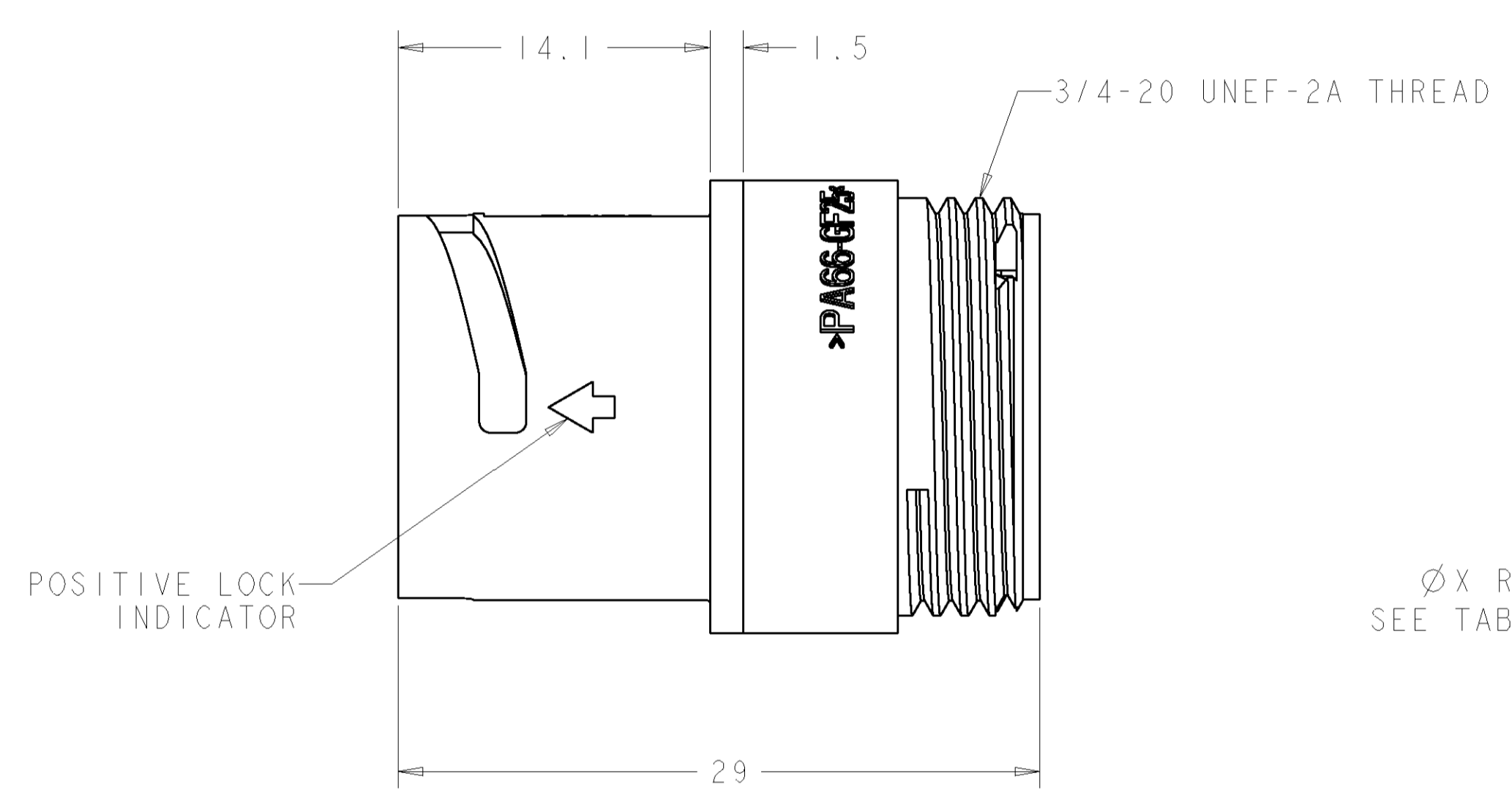
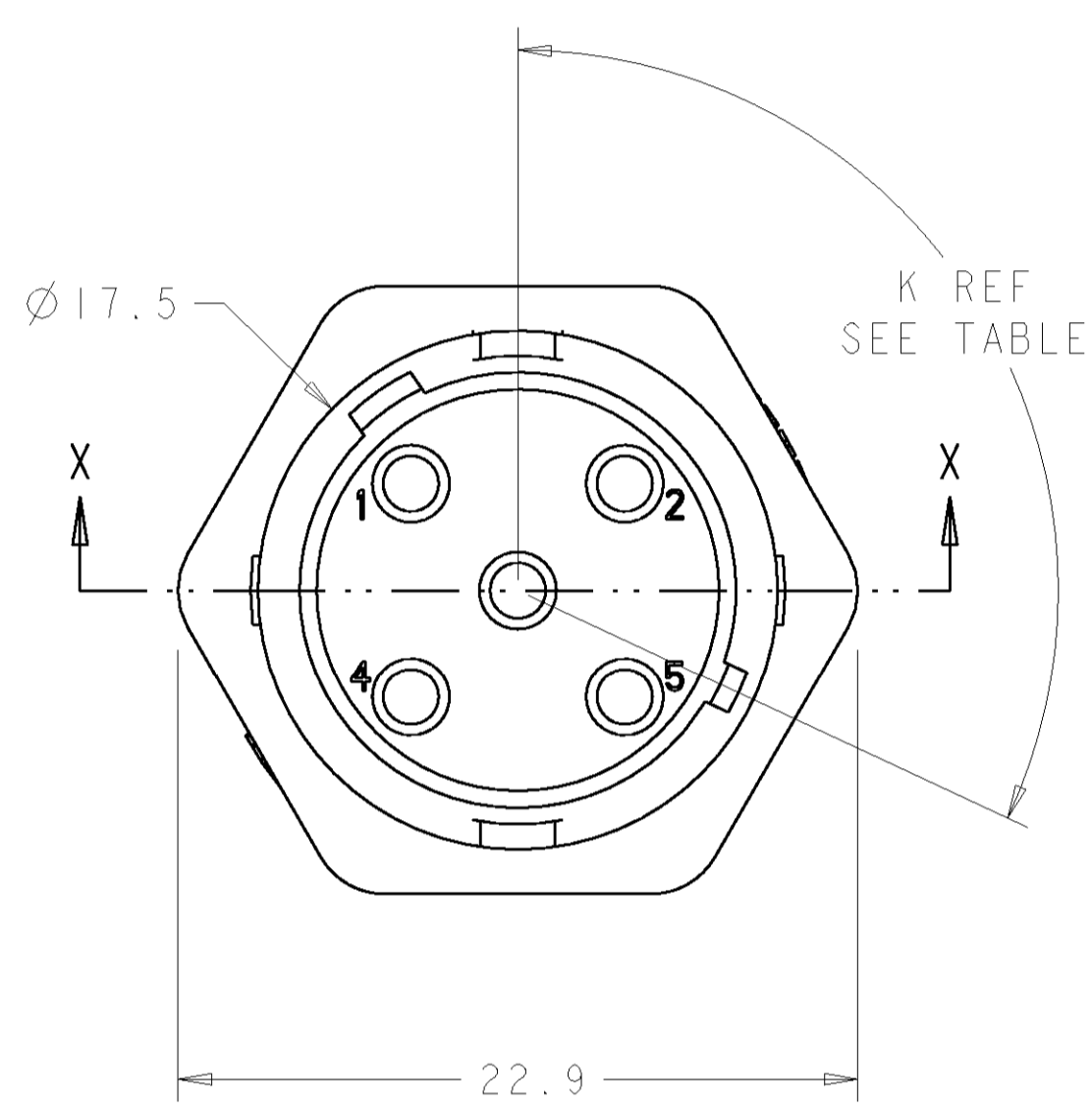
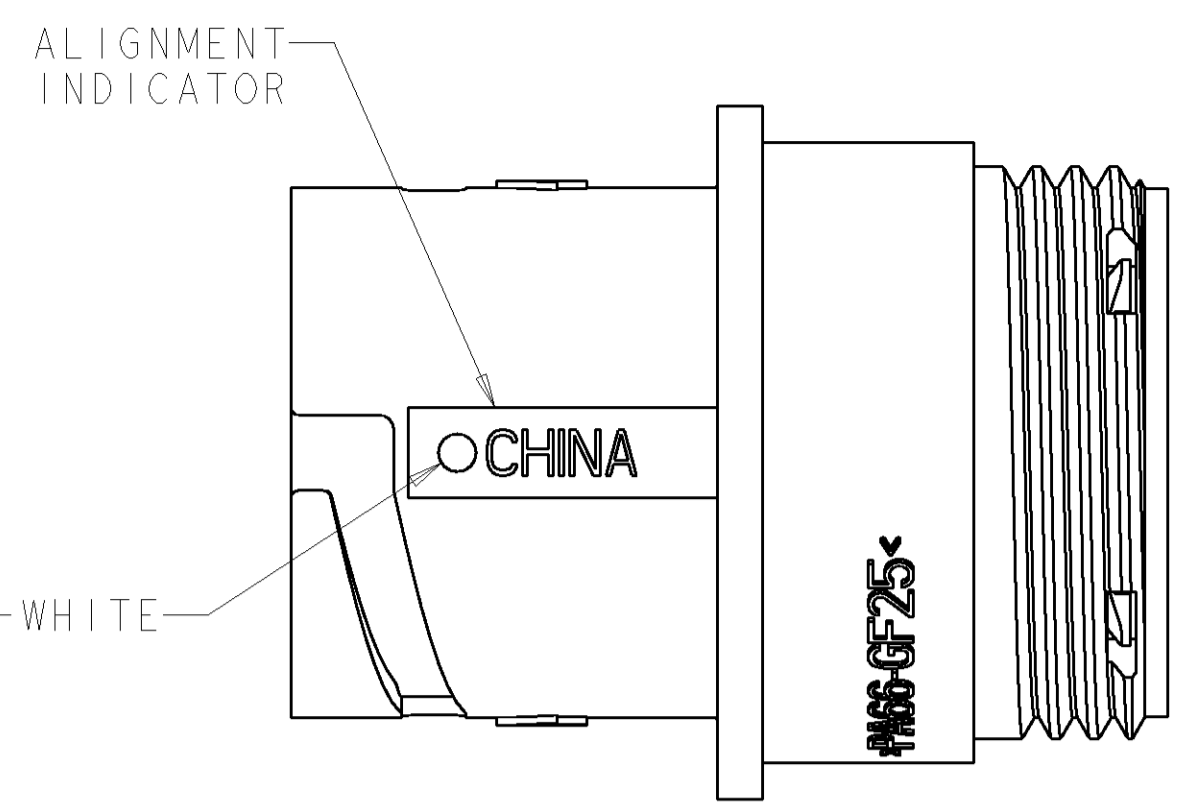
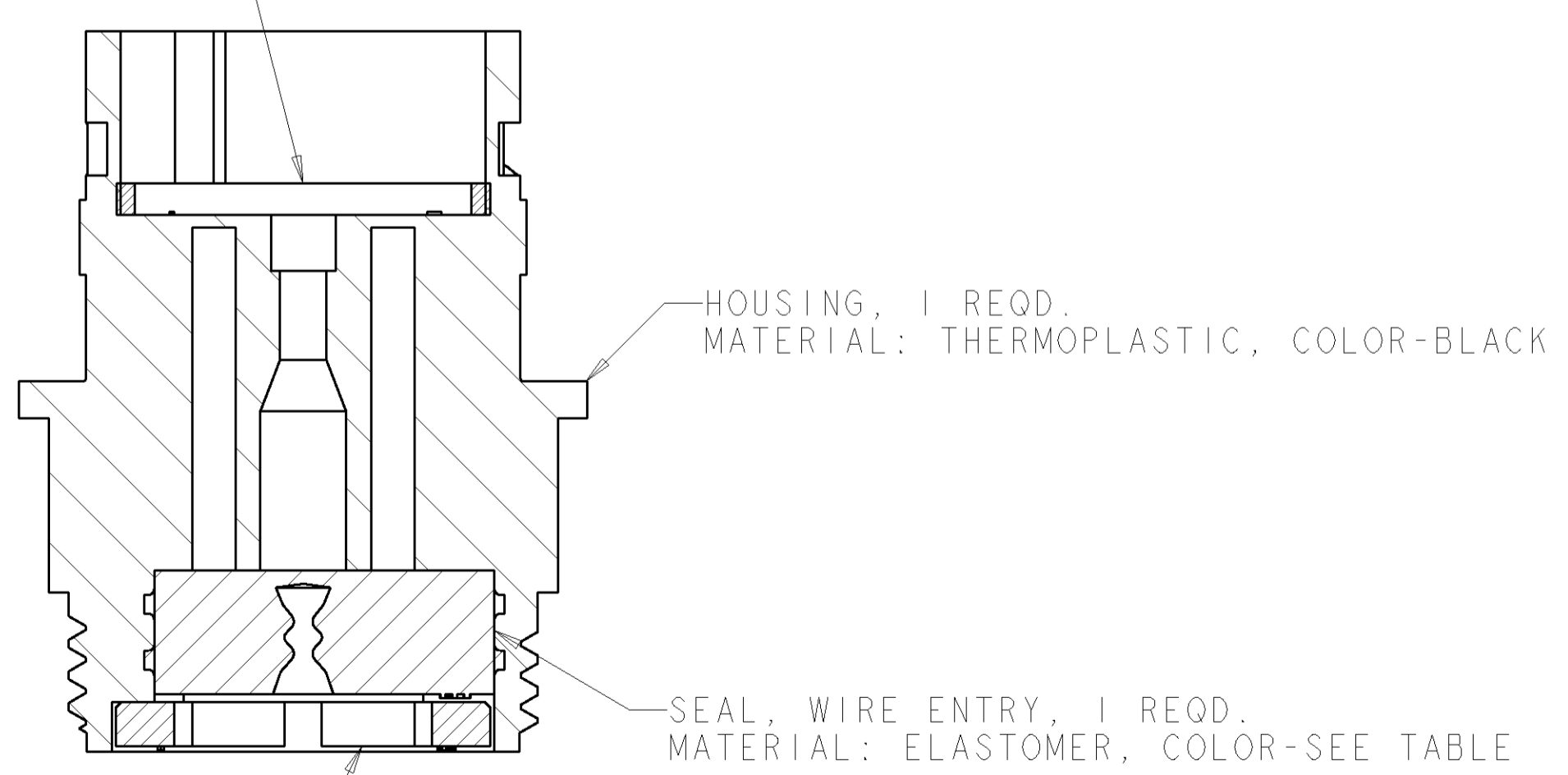


LOC		DIST		REVISIONS			
FT	0	P	LTR	DESCRIPTION	DATE	DWN	APVD
		A		REVISED EC 063B-0326-03	13JUN2003	SW	HW
		B		REVISED EC 063B-0390-04	25MAY2004	SW	HW



SEAL, PERIPHERAL, 1 REOD.
 MATERIAL: ELASTOMER, COLOR-GRAY



SECTION X-X

QUALIFICATION TEST PENDING

YELLOW	Ø 0.75	135°	1445829-04
NATURAL	Ø 1.5	115°	1445829-03
NATURAL	Ø 1.5	135°	1445829-02
YELLOW	Ø 0.75	115°	1445829-01
SEAL, WIRE ENTRY COLOR	Ø X REF	K REF	PART NUMBER

<small>THIS DRAWING IS UNPUBLISHED. RELEASED FOR PUBLICATION. ALL RIGHTS RESERVED. THIS DRAWING IS THE PROPERTY OF TYCO ELECTRONICS CORPORATION. IT IS TO BE USED ONLY FOR THE PURPOSES AND CONDITIONS SPECIFIED IN THE ORDER. CONTACT TYCO ELECTRONICS CORPORATION FOR MORE INFORMATION.</small>		DWN SHANE WIESE 23OCT2001 ENR G DOUTY 23OCT2001 APVD H WAKEEM 13JUN2003	tyco Electronics Tyco Electronics Harrisburg, PA 17105-3608
DIMENSIONS: mm 	TOLERANCES UNLESS OTHERWISE SPECIFIED: 0 PLC ± 1 PLC ± 2 PLC ±0.13 3 PLC ± 4 PLC ± ANGLES ± FINISH -	NAME ASSEMBLY, SIZE 11, 5 POSITION, FREE HANGING, SEALED, MINI CPC SIZE CAGE CODE DRAWING NO RESTRICTED TO A 00779 C=1445829 -	SCALE 4:1 SHEET 1 OF 1 REV B
MATERIAL SEE CALLOUT	WEIGHT -	CUSTOMER DRAWING	