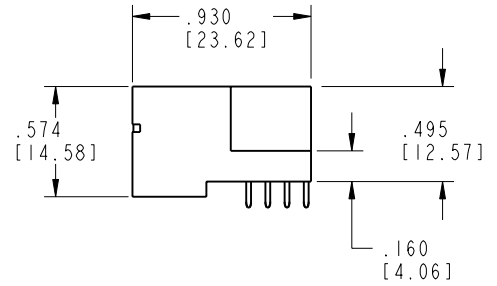
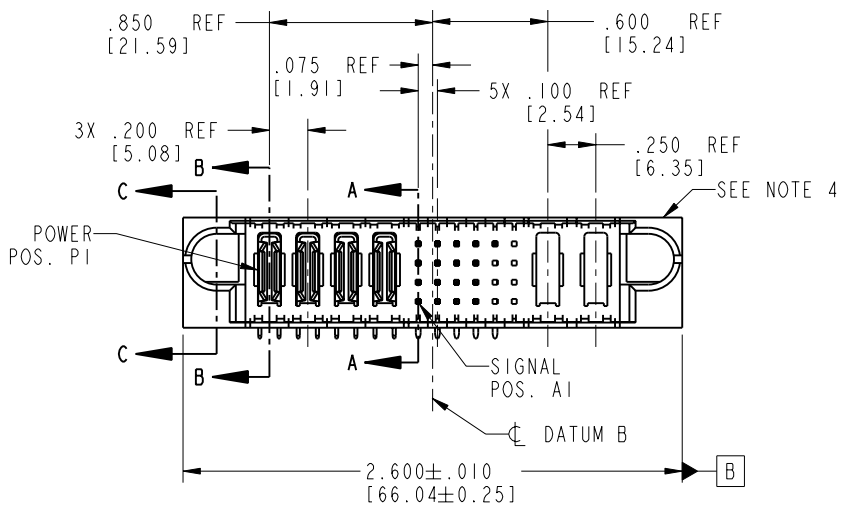


Tous droits strictement réservés. Reproduction ou communication o des liens interdite sous quelque forme que ce soit sans autorisation écrite du propriétaire. Propriété de c FCI. Droits de reproduction FCI.

All rights strictly reserved. Reproduction or issue to third parties in any form whenever is not permitted without written authority from the proprietor. Property of FCI. Copyright FCI.



PRODUCT NO.	ROWS	POWER				SIGNAL						POWER		E2	
		E1	P1	P2	P3	P4	1	2	3	4	5	6	P5		P6
51939-039-- NOTE: 3	D C B A		PA	PA	PA	PA	UUUUU	TTTTT	SSSSS	RRRRR			X	X	



CODE	DIM "M" MATING LENGTH	CONTACT TYPE
F	.220 [5.59]	SIGNAL
R	.270 [6.86]	SIGNAL
S	.270 [6.86]	SIGNAL
T	.270 [6.86]	SIGNAL
U	.270 [6.86]	SIGNAL
PA	N/A [N/A]	POWER
X	OMITTED	OMITTED

mat'l code SEE NOTE 2				tolerances unless otherwise specified		CUSTOMER		 www.fciconnect.com	
ltr	ecn no.	dr	date	linear	projection	COPY			
A	V03-0058	TAB	01/13/03	.XX±.01/0.X±0.3	 INCH/MM	title 4P + 24S + 2P			
B	DG06-0008	JMG	01/09/06	.XXX±.005/0.XXX±0.13		RIGHT ANGLE SOLDER HEADER			
				angles 0° ± 2°	 scale 1:1	product family PwrBlade		code 213	
				dr T. BRUNGARD 01/13/03		size		sheet 1 of 4	
				enrg M. MOSTOLLER 01/13/03		dwg no			
				chr M. MOSTOLLER 01/13/03	A 51939-039				
				appd M. MOSTOLLER 01/13/03					
sheet index	revision sheet	B 1	B 2	B 3	B 4	cage code 22526		4	

Pro/E

PDM: Rev:C

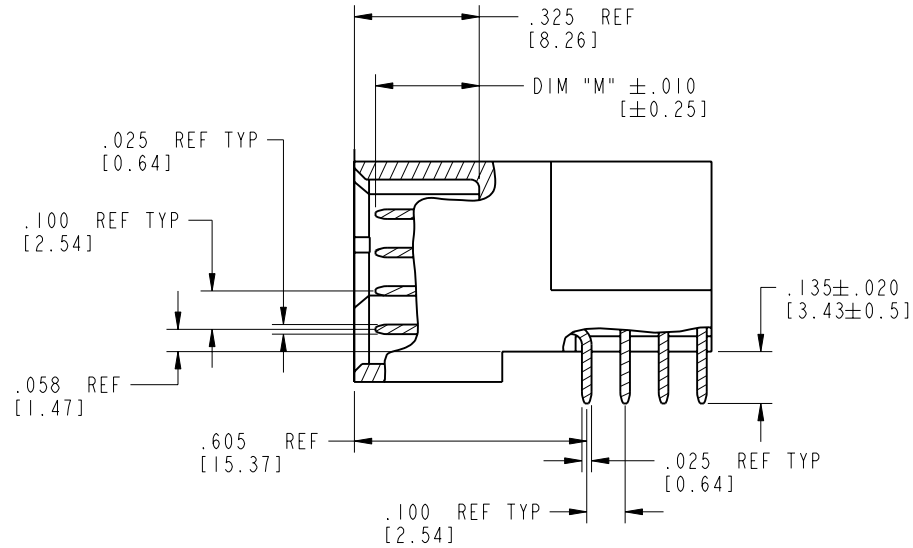
STATUS: Released

Printed: Dec 20, 2010

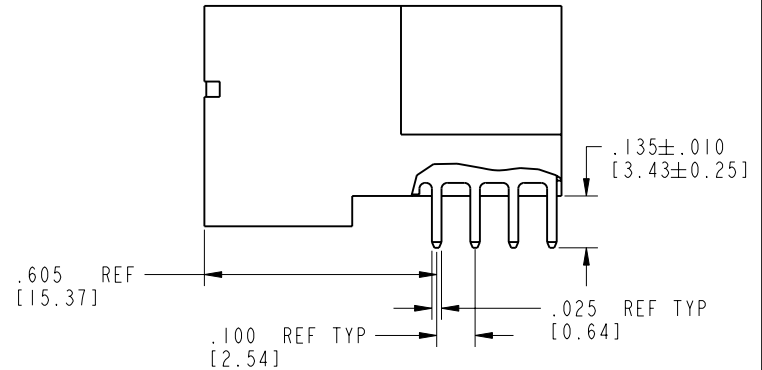
Tous droits strictement réservés. Reproduction ou communication o des liens interdite sous quelque forme que ce soit sans autorisation écrite du propriétaire. Propriété de c FCI. Droits de reproduction FCI.

All rights strictly reserved. Reproduction or issue to third parties in any form, whatever is not permitted without written authority from the proprietor. Property of FCI. Copyright FCI.

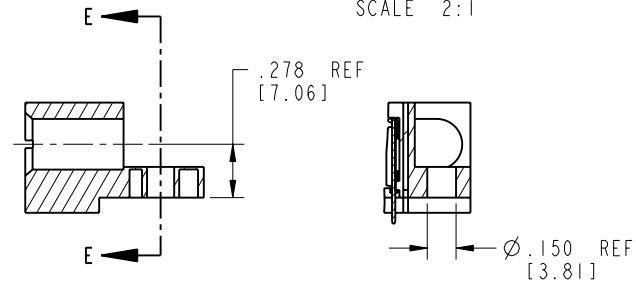
PRODUCT NUMBER
51939-039--
NOTE: 3



BROKEN-OUT SECTION A-A
SCALE 2:1



BROKEN-OUT SECTION B-B
SCALE 2:1



SECTION C-C

PARTIAL SECTION E-E

mat'l code SEE NOTE 2				tolerances unless otherwise specified		CUSTOMER	FCI www.fciconnect.com	
lfr	ecn no.	dr	date	linear	.XX±.01/0.X±0.3	COPY	title	4P + 24S + 2P
B				linear	.XXX±.005/0.XX±0.13	projection	RIGHT ANGLE SOLDER HEADER	
				angles	.XXX±.0020/0.XXX±0.051		product family	PwrBlade
				dr	T. BRUNGARD 01/13/03	INCH/MM	size	213
				engr	M. MOSTOLLER 01/13/03	scale	dwg no	2 of 4
				chr	M. MOSTOLLER 01/13/03	1:1	A	51939-039
				appd	M. MOSTOLLER 01/13/03			
sheet index	revision sheet							

cage code 22526

Pro/E

PDM: Rev:C

STATUS: Released

Printed: Dec 20, 2010

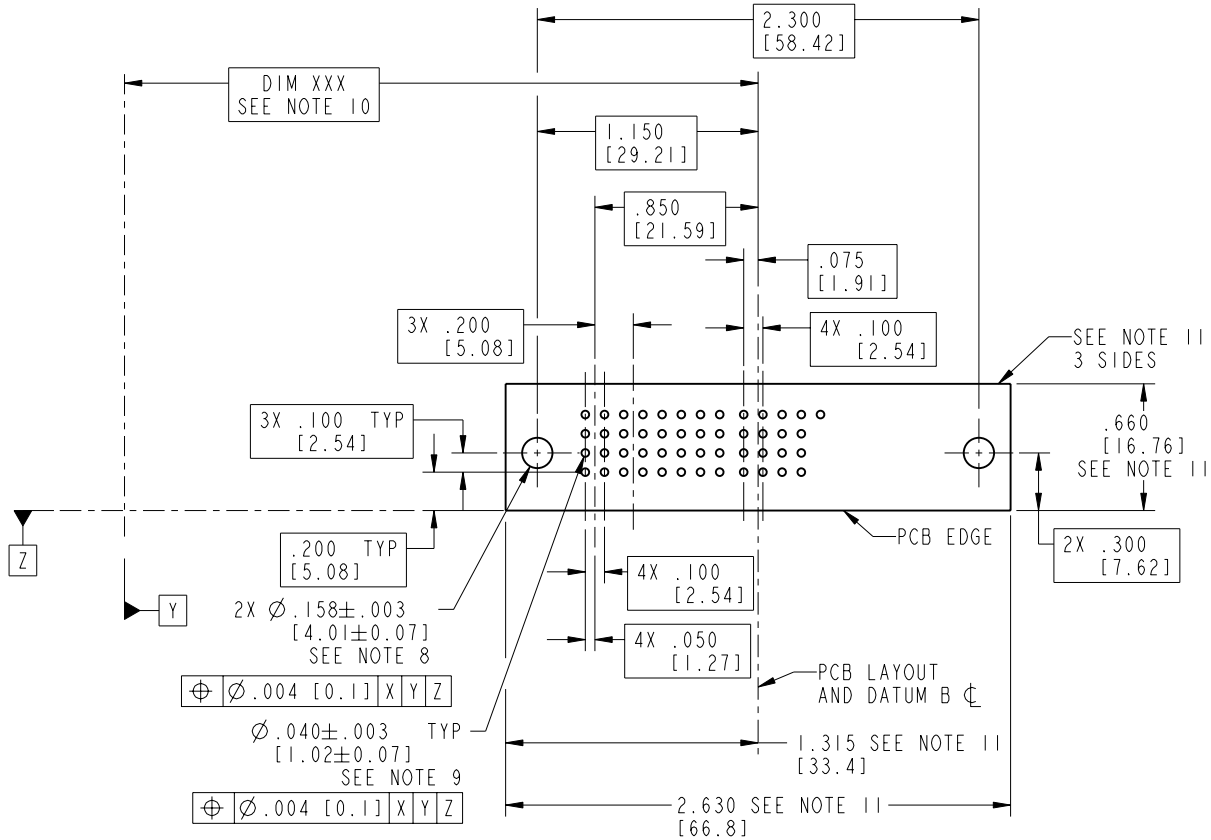
Tous droits strictement réservés. Reproduction ou communication o des liers interdite sous quelque forme que ce soit sans autorisation écrite du propriétaire. Propriété de c FCI. Droits de reproduction FCI.



All rights strictly reserved. Reproduction or issue to third parties in any form, whatever is not permitted without written authority from the proprietor. Property of FCI. Copyright FCI.

PRODUCT NUMBER

51939-039__
NOTE: 3



RECOMMENDED PCB LAYOUT

mat'l code SEE NOTE 2				tolerances unless otherwise specified		CUSTOMER		 www.fciconnect.com	
lfr	ecr no.	dr	date	linear	.XX±.01/0.X±0.3	COPY		title 4P + 24S + 2P	
B				angles	.XXX±.005/0.XX±0.13	projection		RIGHT ANGLE SOLDER HEADER	
				dr	.XXX±.0020/0.XXX±0.051	INCH/MM		product family PwrBlade code 213	
				enrg	T. BRUNGARD 01/13/03	scale 1:1		size dwg no 51939-039 sheet 3 of 4	
				chr	M. MOSTOLLER 01/13/03				
				appd	M. MOSTOLLER 01/13/03				
sheet index	revision sheet								

cage code 22526

Pro/E

PDM: Rev:C

STATUS: Released

Printed: Dec 20, 2010

Tous droits strictement réservés. Reproduction ou communication o des liers interdite sous quelque forme que ce soit sans autorisation écrite du propriétaire. Propriete de c FCI. Droits de reproduction FCI.



All rights strictly reserved. Reproduction or issue to third parties in any form, whatever is not permitted without written authority from the proprietor. Property of FCI. Copyright FCI.

PRODUCT NUMBER
51939-039__
NOTE: 3

NOTES:

1. DIMENSIONS AND TOLERANCES ARE IN ACCORDANCE WITH ASME Y14.5M, 1994 UNLESS OTHERWISE SPECIFIED.

CONNECTOR NOTES:

- 2. HOUSING MATERIAL: UL 94 V-0 GLASS FILLED
HIGH-TEMP THERMOPLASTIC
POWER CONTACT MATERIAL: COPPER ALLOY
SIGNAL PIN MATERIAL: COPPER ALLOY
 - 3. 51939-039;51939-039LF;51939-039GLF PLATING SPEC. SEE PRINT:10064183
 - 4. MANUFACTURER'S NAME, P/N, AND DATE CODE TO APPEAR ON THIS SURFACE.
 - 5. PRODUCT SPECIFICATION GS-12-149.
APPLICATION SPECIFICATION BUS-20-067.
 - 6. PACKAGED IN TRAYS.
- PCB NOTES:
- 7. ALL HOLE DIAMETERS ARE FINISHED HOLE SIZE.
 - 8. MOUNTING HOLES, WHERE APPLICABLE, ARE UNPLATED.
 - 9. $\varnothing .0453 \pm .0010$ [1.151 \pm 0.025] DRILLED HOLES PLATED WITH .0003 [0.008] MIN SnPb OVER .001 [0.03] TO .003 [0.08] Cu PLATING TO ACHIEVE $\varnothing .040 \pm .003$ [1.02 \pm .07] HOLE.
 - 10. "DIM XXX" TO BE DETERMINED BY THE CUSTOMER.
 - 11. CONNECTOR KEEP-OUT ZONE.

mat'l code		SEE NOTE 2		tolerances unless otherwise specified		CUSTOMER		www.fciconnect.com	
lfr	ecr no.	dr	date	linear	.XX±.01/0.X±0.3	COPY			
B				projection	.XXX±.005/0.XX±0.13			title	4P + 24S + 2P
				angles	.XXX±.0020/0.XXX±0.051			RIGHT ANGLE SOLDER HEADER	
				dr	T. BRUNGARD 01/13/03	INCH/MM		product family	PwrBlade
				engr	M. MOSTOLLER 01/13/03			code	213
				chr	M. MOSTOLLER 01/13/03	scale		size	dwg no
				appd	M. MOSTOLLER 01/13/03	1:1		A	51939-039
sheet index	revision sheet							sheet	4 of 4

cage code 22526

Pro/E

PDM: Rev:C

STATUS: Released

Printed: Dec 20, 2010