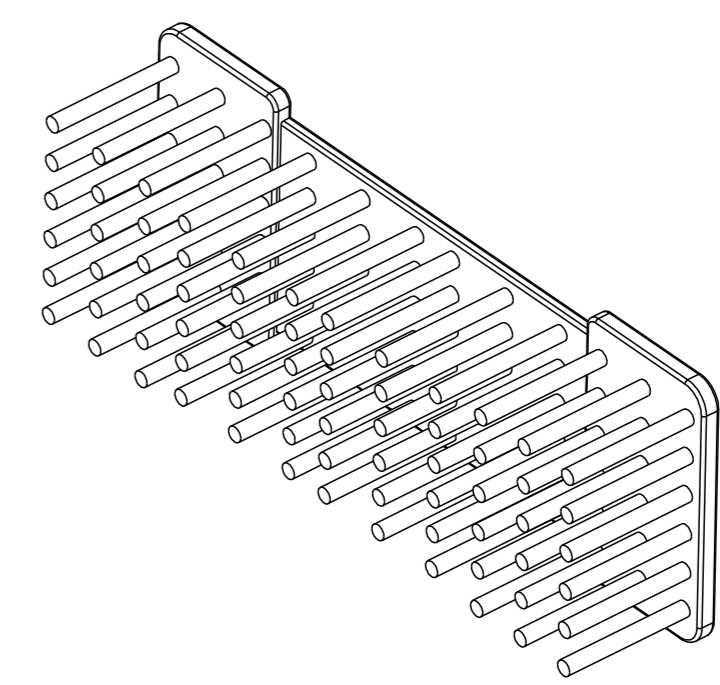
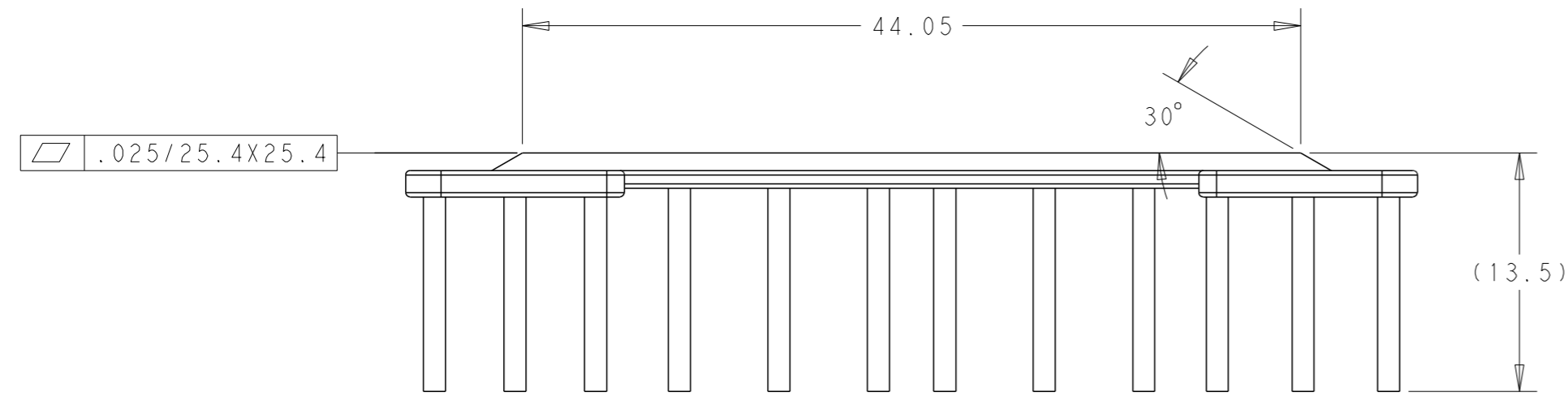
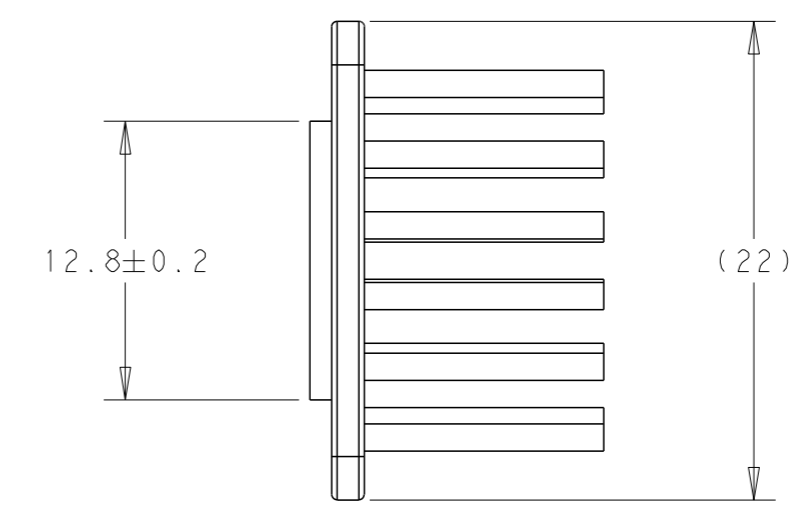
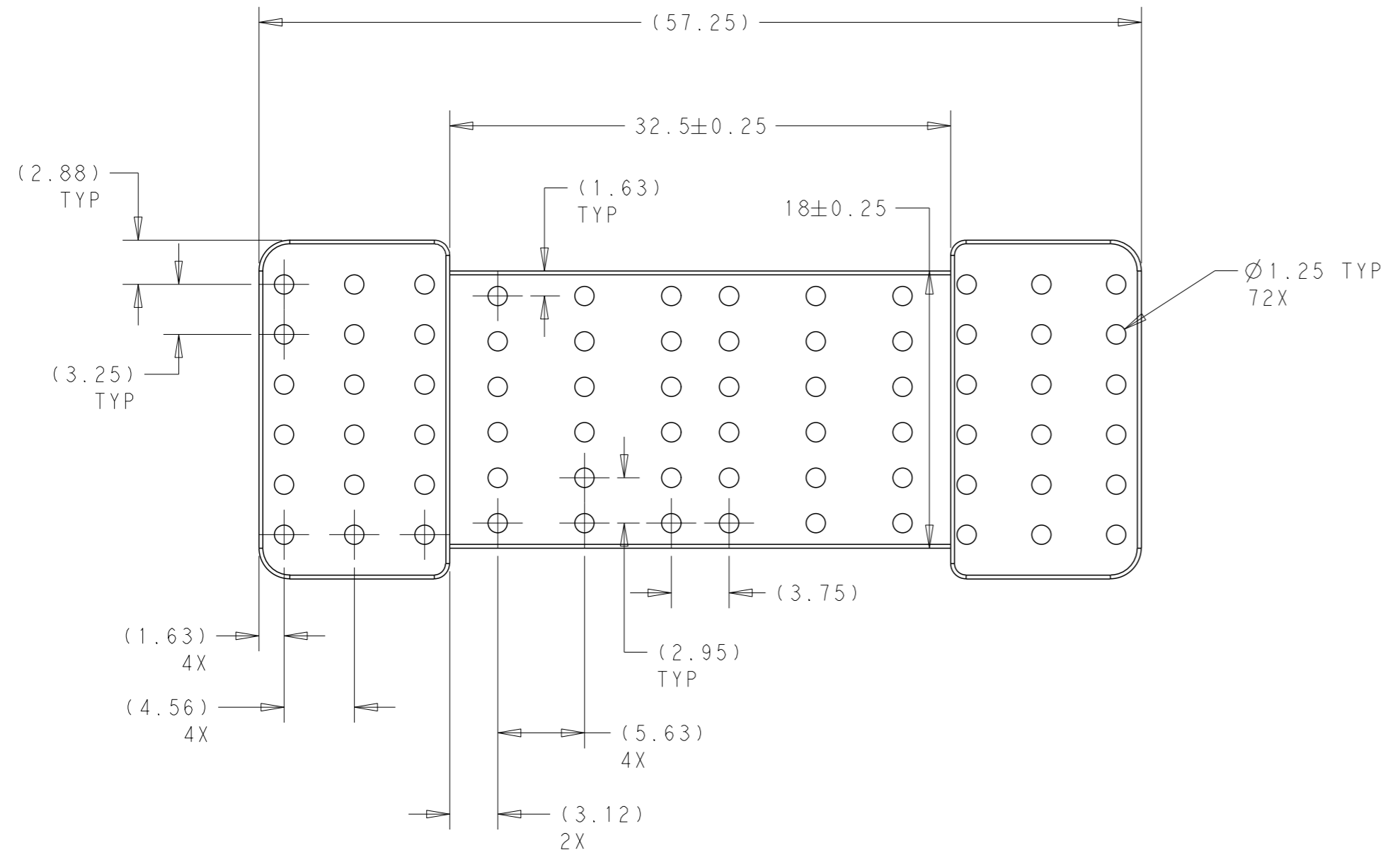


REVISIONS					
P	LTR	DESCRIPTION	DATE	DWN	APVD
	B	REVISED	28OCT2013	ML	CW



SCALE 2:1

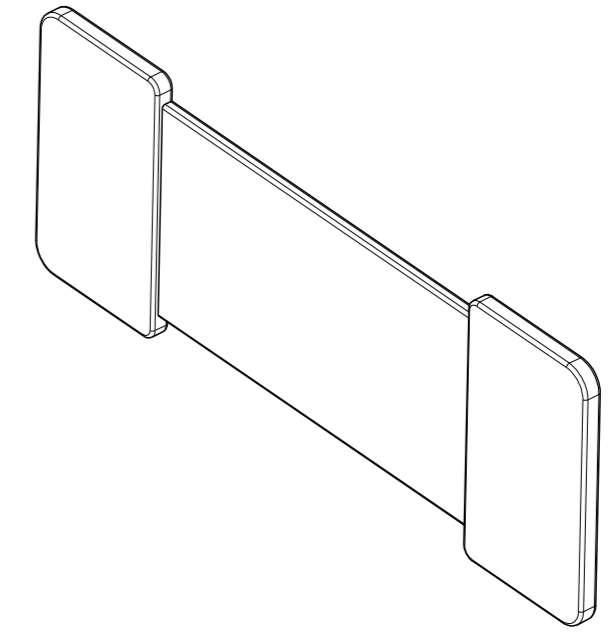
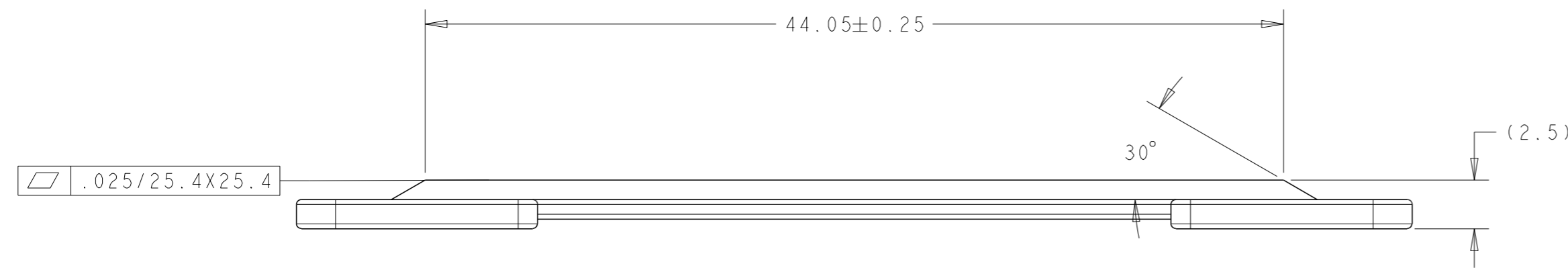
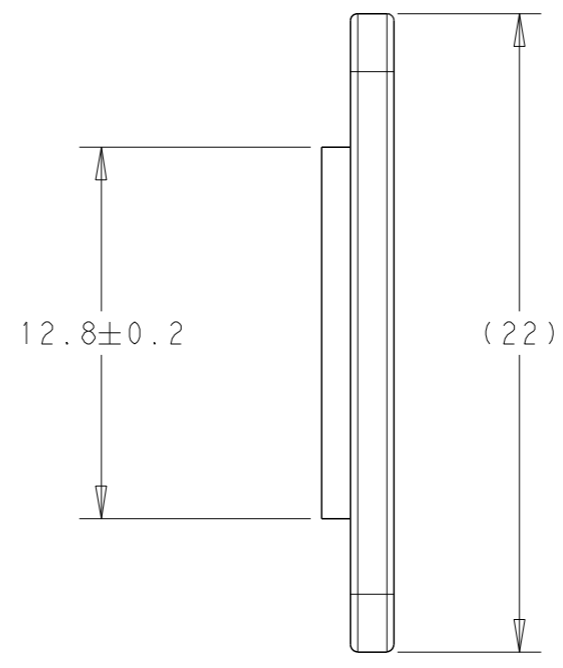
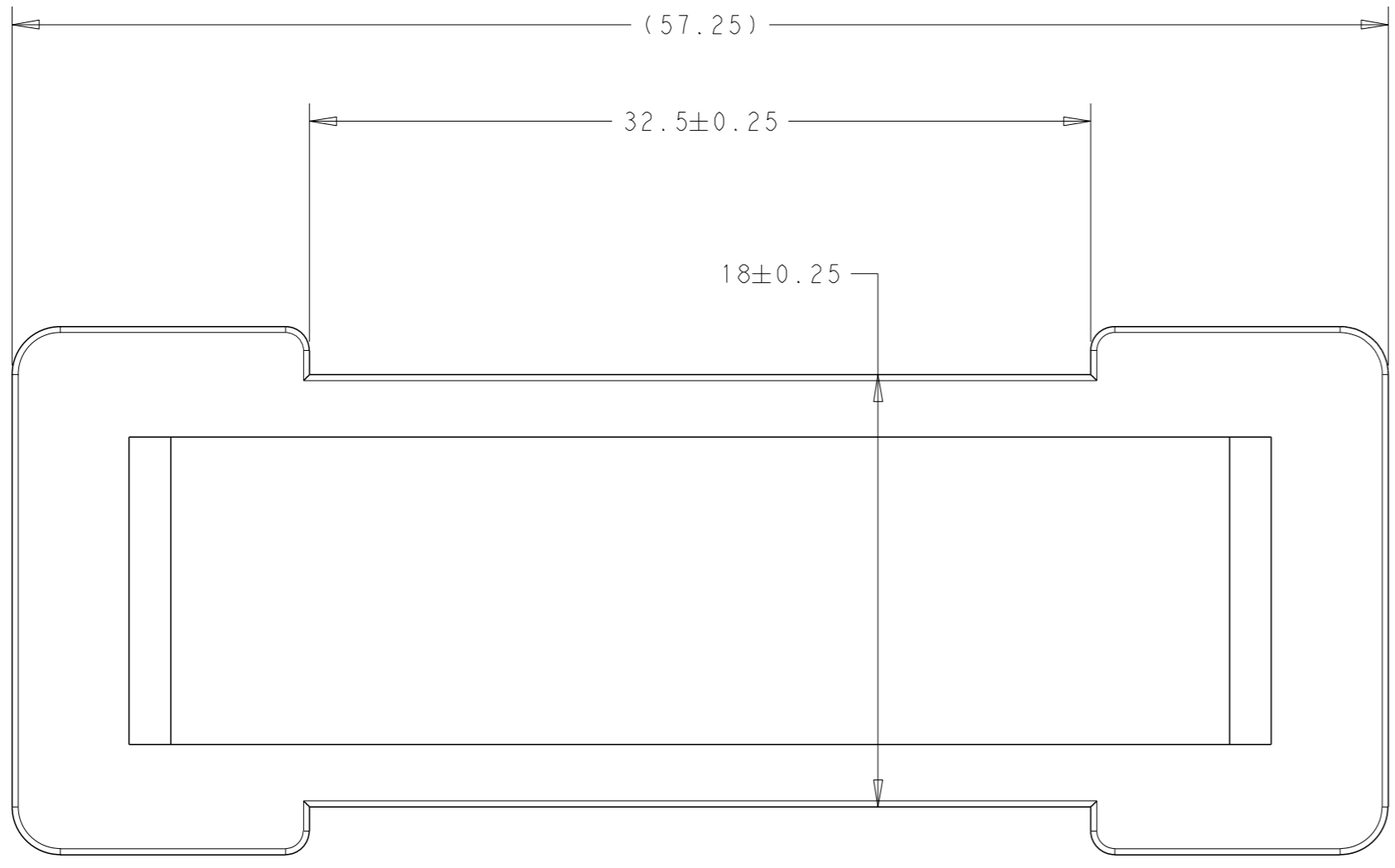
2110965-1 AS SHOW

- NOTES:
 UNLESS OTHERWISE SPECIFIED
 1. INTERPRET DRAWING PER ASME Y14.5M-1994
 2. RoHS COMPLIANT AND CERTIFIED.

2110965-2	HEAT SINK W/O POST
2110965-1	HEAT SINK W/ POST
PART NUMBER	DESCRIPTION

THIS DRAWING IS A CONTROLLED DOCUMENT.		DWN D. HUMBERT 21SEP2009	TE Connectivity				
DIMENSIONS: mm		CHK J. EABY 21SEP2009	NAME XFP. MSA NETWORK APPLICATION HEATSINK				
TOLERANCES UNLESS OTHERWISE SPECIFIED: 0 PLC ±. 1 PLC ±.25 2 PLC ±.2 3 PLC ±.1 4 PLC ±.05 ANGLES ±. FINISH -		APVD J. EABY 21SEP2009					
MATERIAL 6063-T5 ALUM		PRODUCT SPEC -	APPLICATION SPEC -	SIZE A2	CAGE CODE -	DRAWING NO. ©=2110965	RESTRICTED TO -
CUSTOMER DRAWING			WEIGHT -	SCALE 2:1	SHEET 1 OF 2	REV B	

REVISIONS				
P	LTR	DESCRIPTION	DATE	APVD
-		SEE SHEET 1	-	-



2110965-2 AS SHOW

THIS DRAWING IS A CONTROLLED DOCUMENT.		DWN D. HUMBERT 21SEP2009		
DIMENSIONS: mm		CHK J. EABY 21SEP2009		
TOLERANCES UNLESS OTHERWISE SPECIFIED:		APVD J. EABY 21SEP2009	NAME XFP, MSA NETWORK APPLICATION HEATSINK	
0 PLC ± 1 PLC ±.25 2 PLC ±.2 3 PLC ±.1 4 PLC ±.05 ANGLES ± FINISH -		PRODUCT SPEC -	SIZE A2	CAGE CODE -
MATERIAL 6063-T5 ALUM		APPLICATION SPEC -	DRAWING NO ©=2110965	RESTRICTED TO -
-		WEIGHT -	SCALE 2:1	SHEET 2 OF 2
-		CUSTOMER DRAWING	REV B	