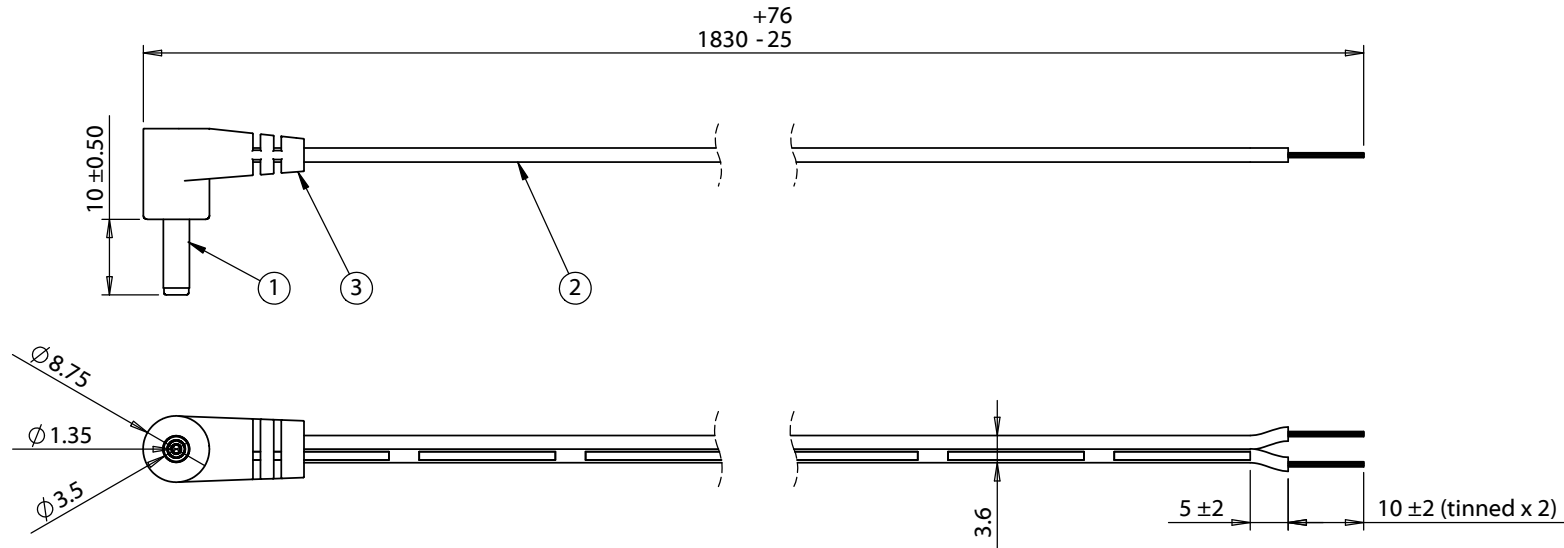


ITEM NO.	PART NUMBER	DESCRIPTION	QTY.	COMPONENT NOTES
1	50-00112	Connector, dc plug, 3.5x1.35xL18.5 mm, brass nickel plated	1	
2	30-00003	Wire, 2C BC, 24 AWG, UL2468, 300V, 80C, 3.6 mm, VW-1, PVC, 76A	1	
3	24-00049	Overmold, PVC, black	1	



**Notes:**

Electical requirement: 500 mA, 36 Vdc

Hi-Pot test: 600 Vac, 0.5 mA, 1 second

Wiring Diagram	
50-00112	wire color
center	black with stripe
sleeve	black

Revision:	Date:	Description:	Prepared:	Notes:	<h1>TENSILITY</h1> <p>tel 1.541.323.3228 800 877.670.7118 fax 1.541.323.4202 web tensility.com</p>
A	1/19/2009	Re-issue CUI spec as Tensility		RoHS and REACH compliant	
A1	8/31/2011	Updated description, connector, and wire information	Verified:	Function test: no open, no short circuit, no intermittent	
A2	6/18/2012	Updated connector description	Dimensions are in millimeters. Tolerances: X: ± 0.5 mm X.X: ± 0.3 mm X.XX: ± 0.05 mm	Description: Cable, 1830 mm, 3.5x1.35x10 mm, 90° 50-00112 dc plug to stripped tinned, 24 AWG, 30-00003 wire	
					Size: A Part number: 053-0196R (CA-2197) Scale: 1:1