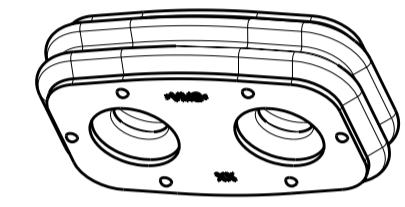
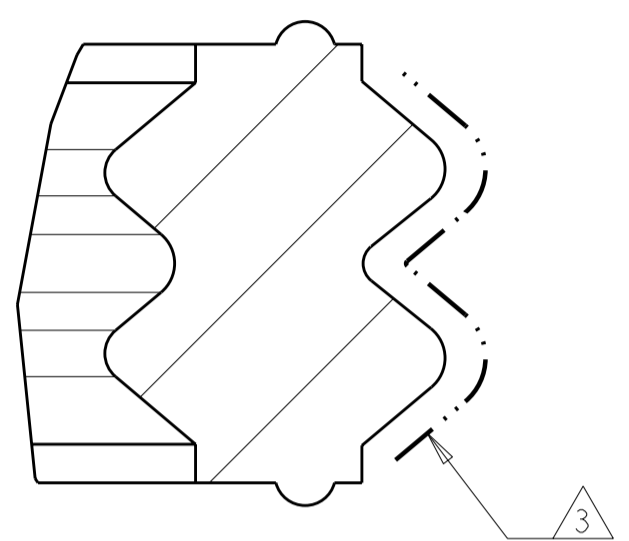
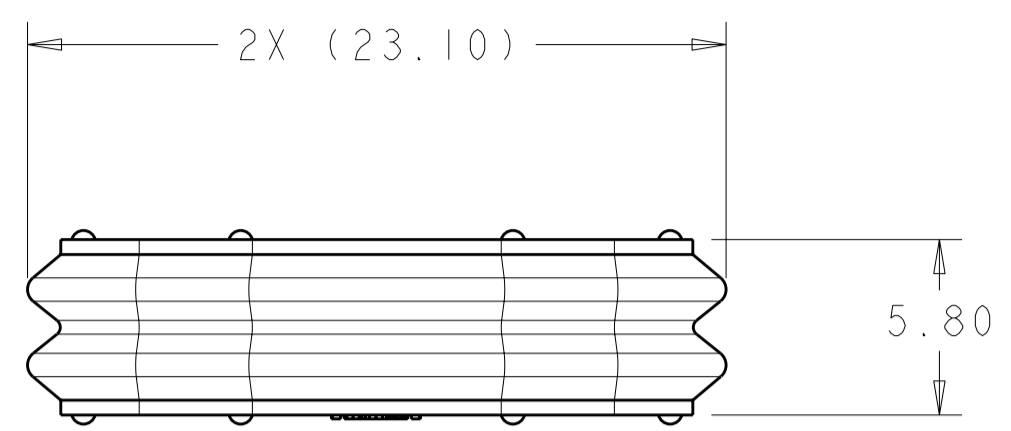


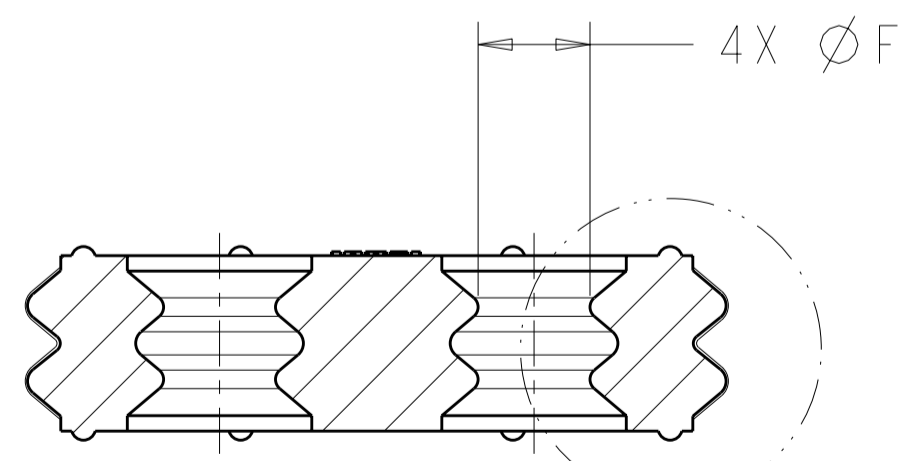
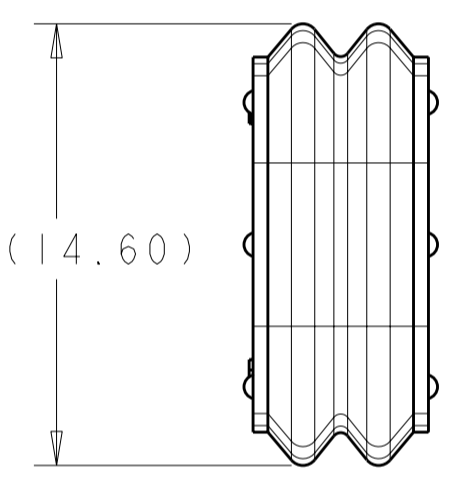
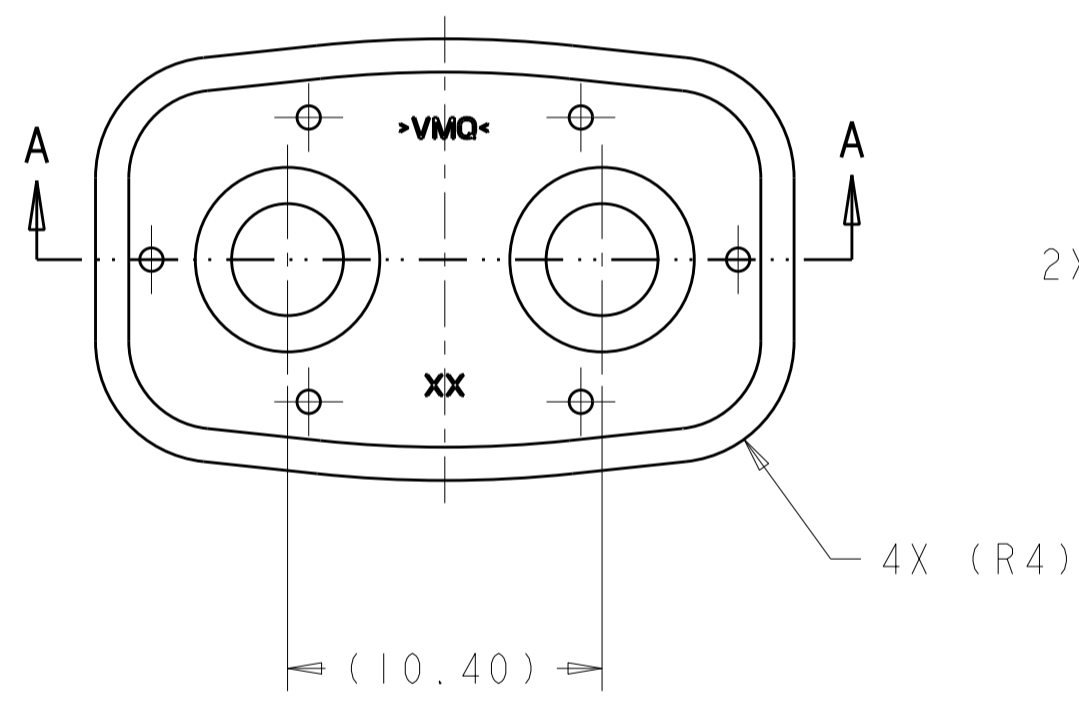
THIS DRAWING IS UNPUBLISHED. RELEASED FOR PUBLICATION 20  
 © COPYRIGHT 20 BY TYCO ELECTRONICS CORPORATION ALL RIGHTS RESERVED.

LOC		DIST		REVISIONS			
P	LTR	DESCRIPTION	DATE	DWN	APVD		
	BI	ECO-11-006038	23MAR2011	DS	AT		



SCALE 2:1

DETAIL B  
SCALE 10:1



SEE DETAIL B

SECTION A-A

1. NO DAMAGES, SINK MARKS, CAVITIES OR FLOW LINES PERMITTED
- 2 MATERIAL:  
30 DUROMETER INHERENTLY LUBRICATED SILICONE  
COLOR: SEE PART NO. TABLE
- 3 AROUND NO FLASH PERMITTED
- 4 PRELIMINARY PART—NOT RELEASED FOR PRODUCTION

5.48	6.10	4.90	GREEN	CABLE SEAL, SIZE C	1587826-3
4.89	5.48	4.40	RUST RED	CABLE SEAL, SIZE B	1587826-2
4.29	4.89	3.60	ROYAL BLUE	CABLE SEAL, SIZE A	1587826-1
MIN	MAX	F	COLOR	DESCRIPTION	PART NO
WIRE O.D.					

THIS DRAWING IS A CONTROLLED DOCUMENT.		DWN D. SIMPSON 05JUN2009	<b>STE</b> TE Connectivity	
		CHK A TYLER 05JUN2009		
DIMENSIONS: mm		APVD -	NAME CABLE SEAL, HVA280-2PI	
TOLERANCES UNLESS OTHERWISE SPECIFIED: 0 PLC ± 1 PLC ±0.2 2 PLC ±0.16 3 PLC ±0.100 4 PLC ±0.0001 ANGLES ± FINISH		PRODUCT SPEC 108-2394	SIZE A200779	
MATERIAL		APPLICATION SPEC 114-13259	DRAWING NO C-1587826	
		WEIGHT -	RESTRICTED TO -	
		CUSTOMER DRAWING	SCALE 4:1 SHEET 1 OF 1 REV BI	