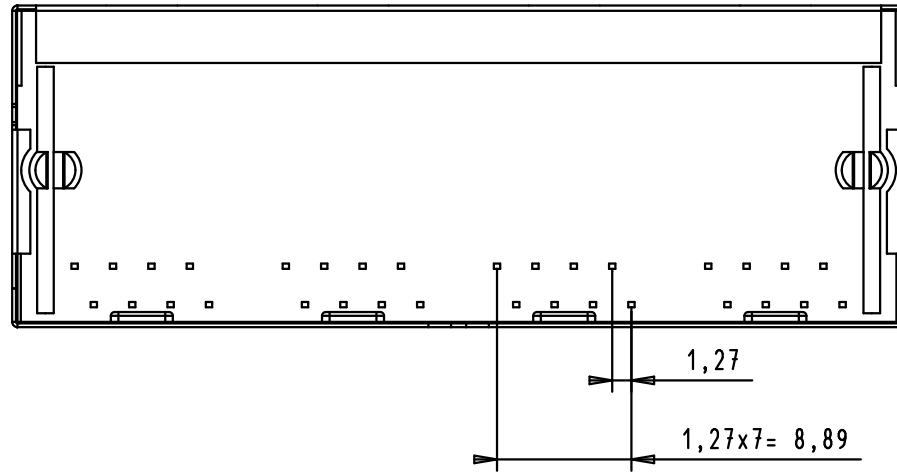
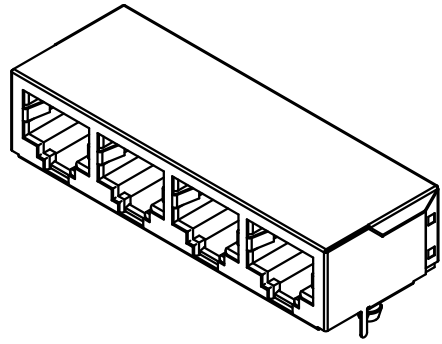
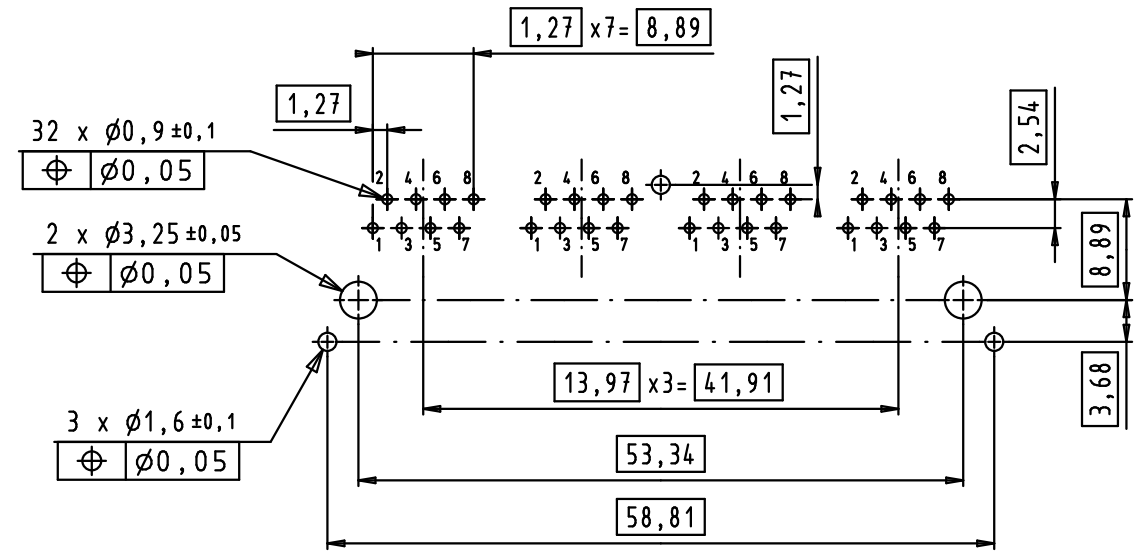


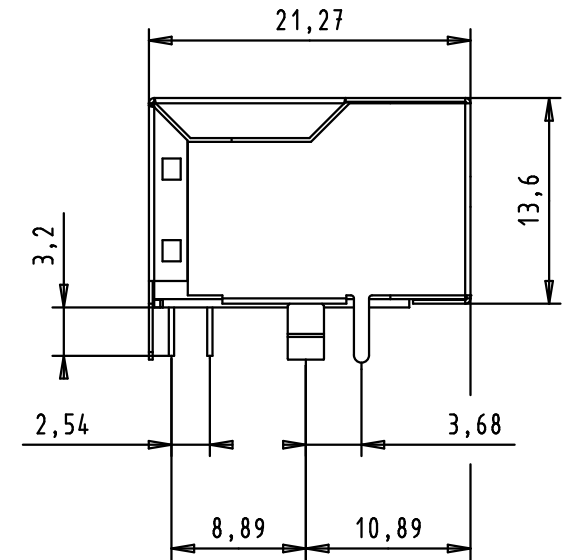
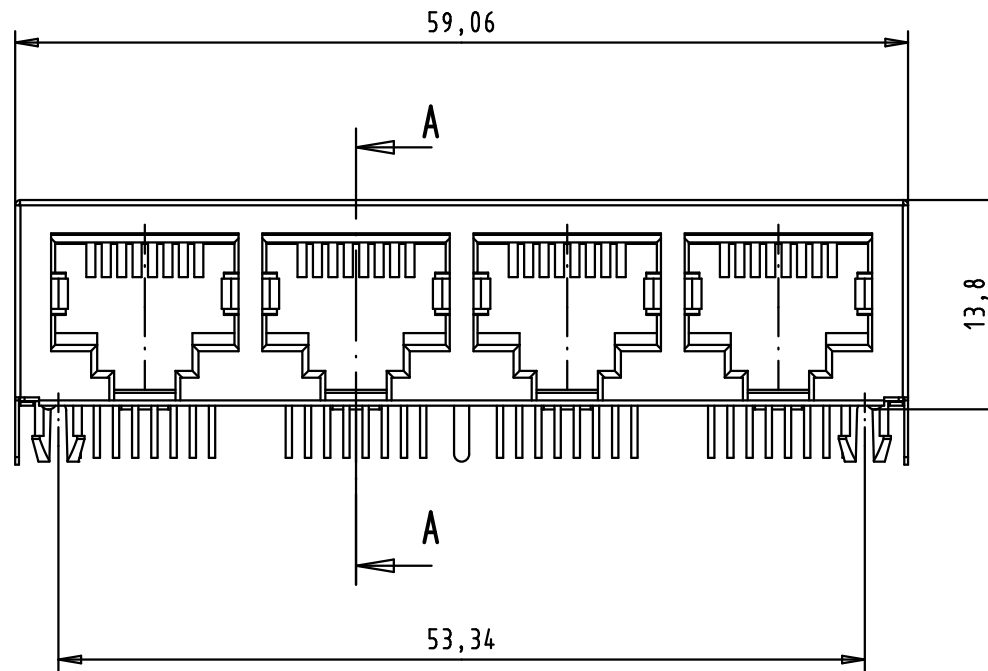
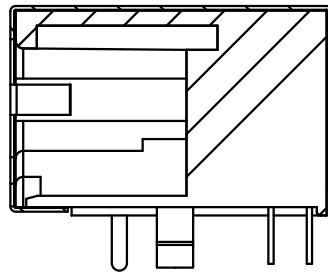
Alle Rechte vorbehalten/ All rights reserved



PCB layout, component side  
PCB thickness up to 2,4mm



A-A



Material:  
Shielding: brass plating nickel alloy  
Insert: Thermoplastic, UL-94-V0, black  
Contact: -Phosphor Bronze, selective gold plating  
          -15µ" over nickel in contact area  
          -Tin plating over nickel in solder area

All Dimensions in mm Original Size DIN A 3		Techn. Character.			Nicht tolerierte Maßel Free size tolerances		
			Dat.	Name	Maßstab/Scale 2:1	HARTING RJ Industrial® 4-ports modular RJ 45 Jack with 4x8 signal solder pins and 3 grounding solder pins	
			Detail.	09/DEC/11			BH
			Insp.	09/DEC/11			JB
			Stand.				
36299	20/04/12	SD	HARTING EURL F-95972 Paris			TB 09 45 551 1124 Sub.	
EC03766			Mod.	Dat.			Name