

OPTIONS

-T
PLATING

-T: TIN BOTH ENDS
-USE C-10-T

-G
GRAY CABLE

SUBSTITUTE GRAY CABLE FOR STANDARD COLOR CODED CABLE.

USE:
IDSD: CB-XX-28-7/36-050-G
IDSS: CB-XX-28-7/36-100-G
(SEE FIG. 1)

NOTE: USE GRAY CABLE FOR DOUBLE ROW -31 THRU -36 POSITION.

-ST"X"
STRIPPED & TINNED

	"L"	
ST8	1/8	[3.18]
ST4	1/4	[6.35]
ST3	3/8	[9.53]
ST2	1/2	[12.70]

NOTES:
1. CONDUCTORS SHALL BE CONSISTENT IN APPEARANCE. SOLDER MUST MAINTAIN CABLE STRAINS WITHIN THE MAX DIA. TOLERANCE.
2. USE 60/40 TIN/LEAD SOLDER ONLY.
3. NOT AVAILABLE IN 28 POSITION AND UP IN DOUBLE ROW ONLY.

SEE NOTE 1.

-WXX
WIRING REVERSED

SAME AS -SXX EXCEPT OUTER STRIP CONNECTED TO CONDUCTOR #2 AND INSIDE STRIP CONNECTED TO CONDUCTOR #1

-BXX
BREAKOUT

IDSD: SINGLE
IDSD: DOUBLE

IDSD-XX-D-XX-BXX
XX INDICATES NO. OF CONDUCTORS
IDSD-XX-S-XX-BXX
XX INDICATES NO. OF CONDUCTORS
IDSS-XX-D-XX-BXX:
XX INDICATES NO. OF POSITIONS
IDSS-XX-S-XX-BXX:
XX INDICATES NO. OF POSITIONS

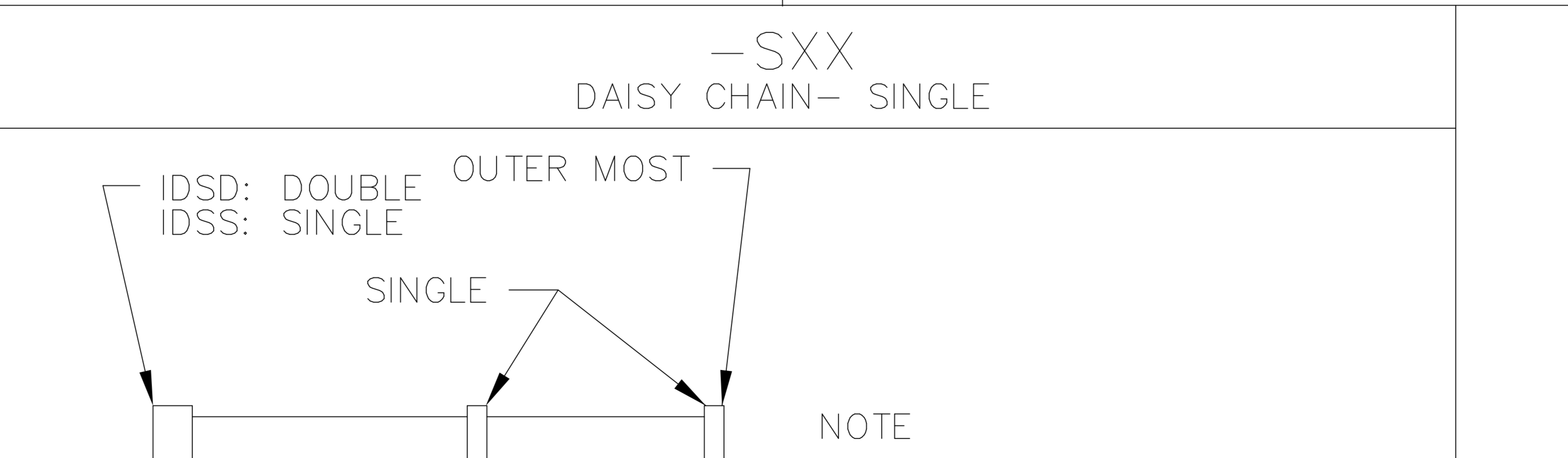
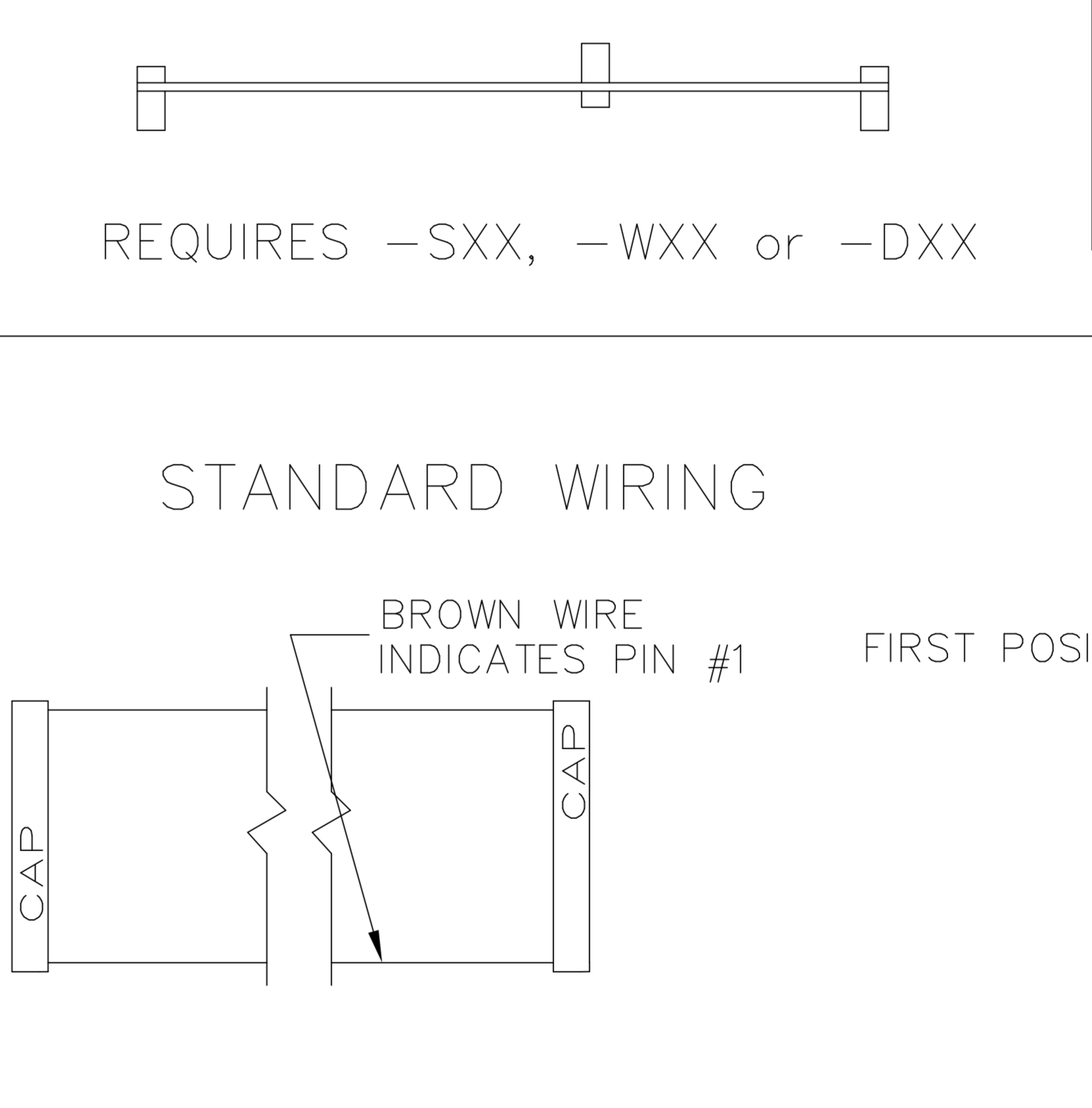
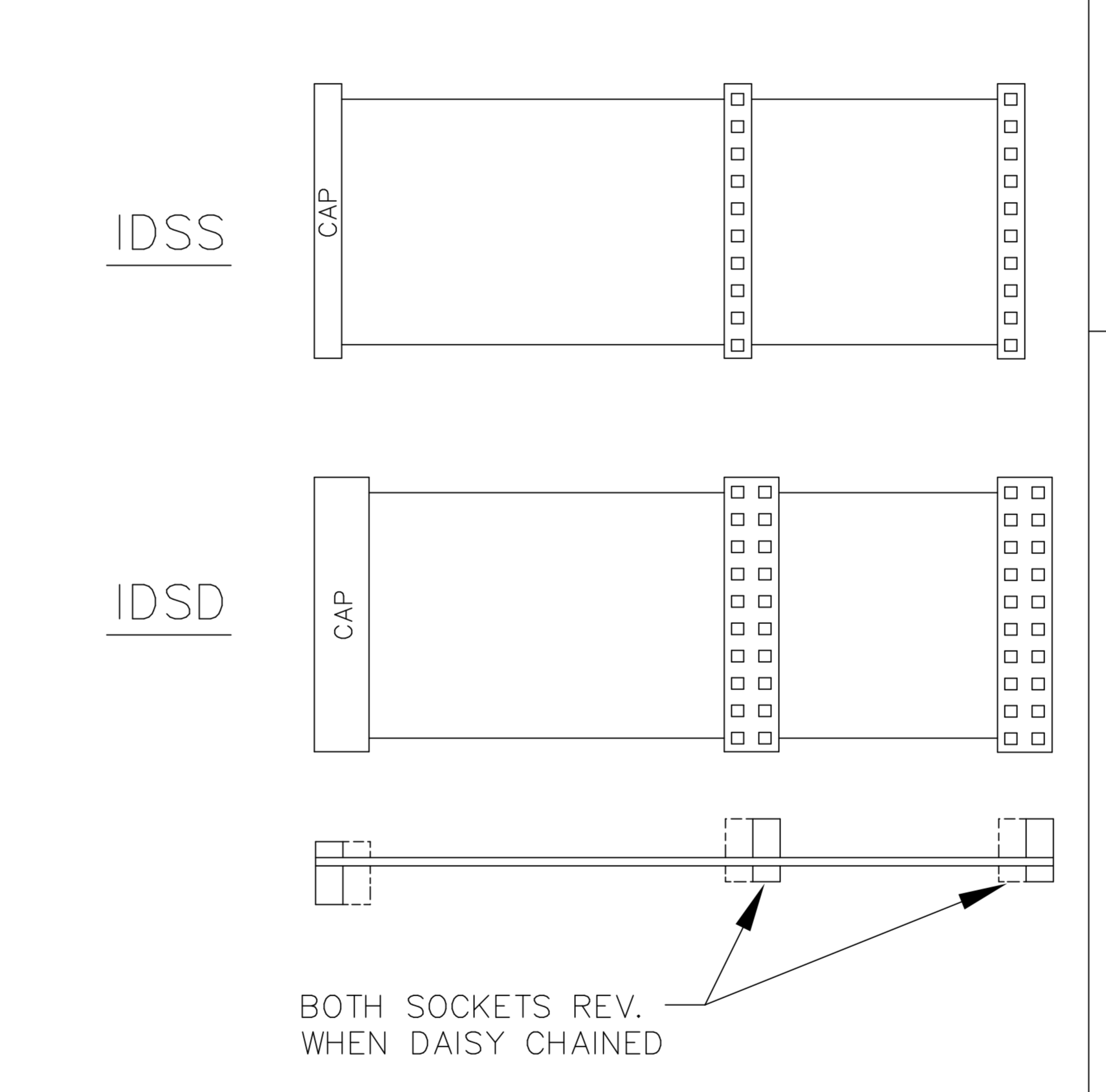
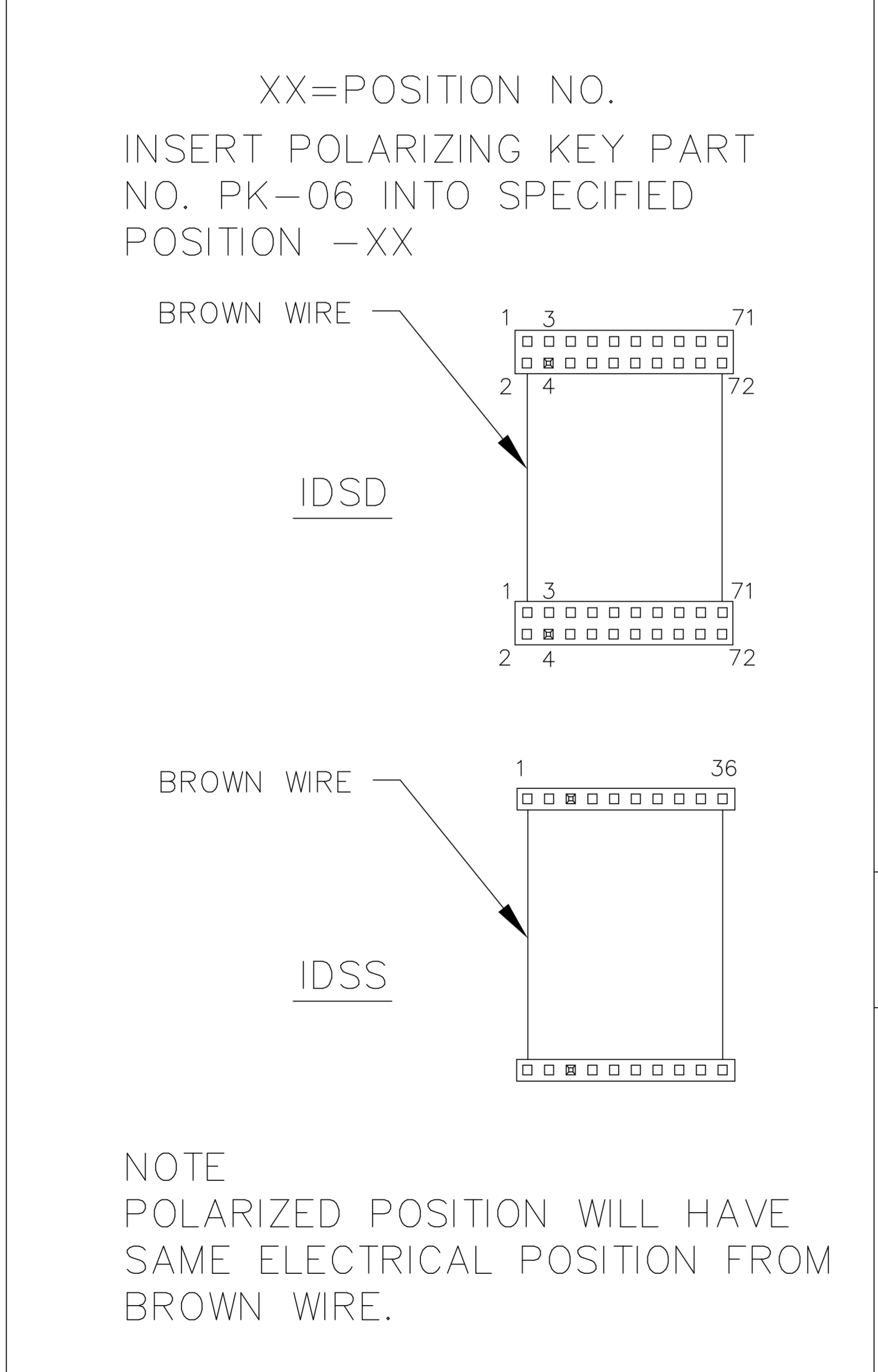
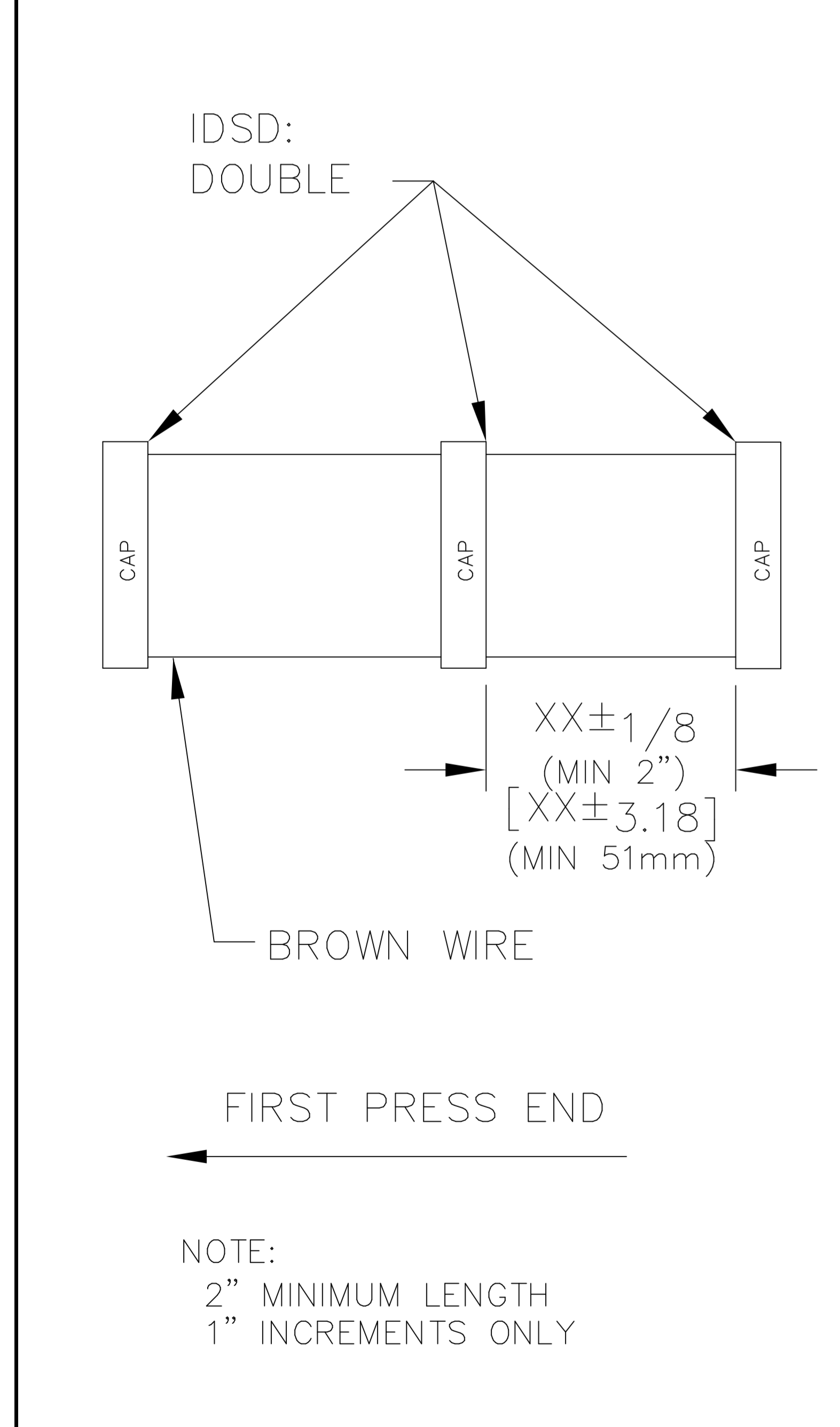
-DXX IDSS N/A
DAISY CHAIN- DOUBLE

-PXX
POLARIZED MATING

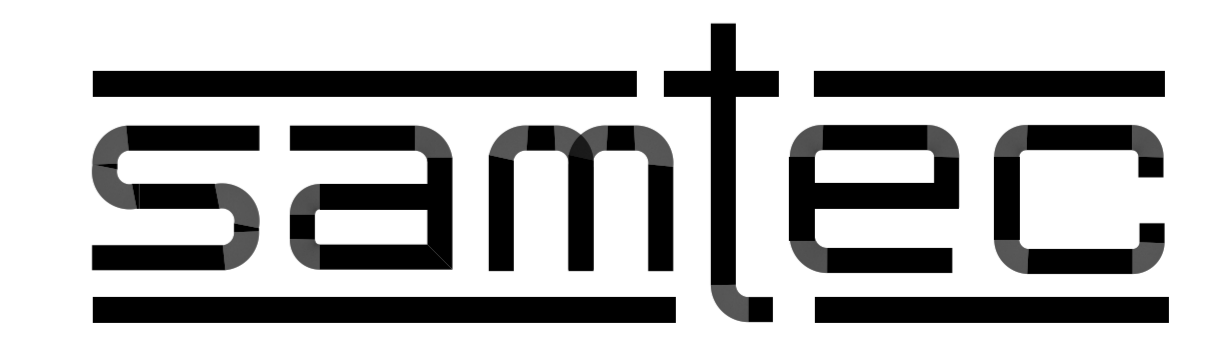
-R
REVERSED CONNECTOR
NOT AVAILABLE WITH -M & -O

-M
MIDDLE REVERSED
NOT AVAILABLE WITH -R & -O

-O
OUTSIDE REVERSED
NOT AVAILABLE WITH -R & -M



PROPRIETARY NOTE
THIS DOCUMENT CONTAINS INFORMATION CONFIDENTIAL AND PROPRIETARY TO SAMTEC INC. AND SHALL NOT BE REPRODUCED OR TRANSFERRED TO OTHER DOCUMENTS OR DISCLOSED TO OTHERS OR USED FOR ANY PURPOSE OTHER THAN THAT FOR WHICH IT WAS OBTAINED WITHOUT THE EXPRESSED WRITTEN CONSENT OF SAMTEC INC.



520 PARK EAST BLVD. NEW ALBANY, INDIANA 47150
PHONE (812) 944-6733 P.O. BOX 1147
CODE 55322